

CT9070SH

GE Cafe™ Series 30 in. Built-In French-Door Single Convection Wall Oven

Dimensions and Installation Information (in inches)

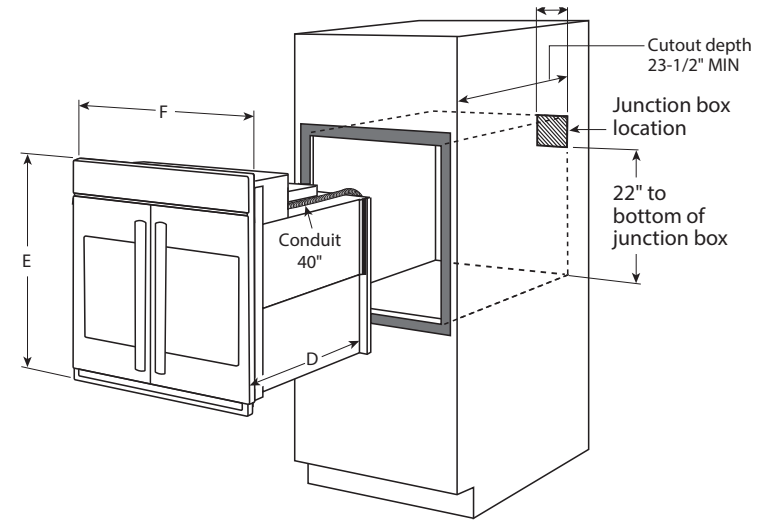
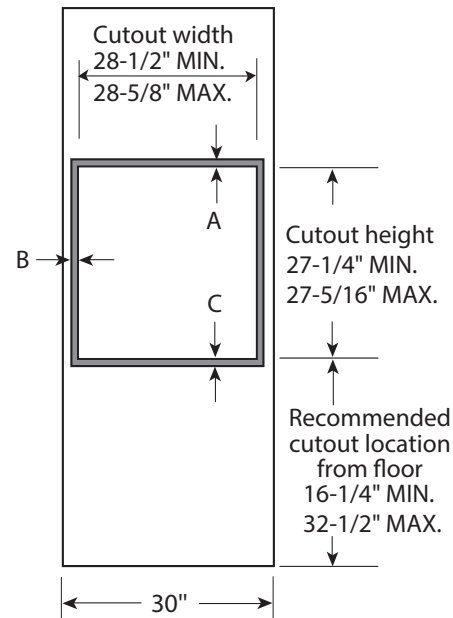
Most 30" Wall Cabinets can be used with this unit.

Note: These ovens are not approved for stackable installations. Cabinets installed adjacent to wall ovens must have an adhesion spec of at least a 194°F temperature rating.

Door handle protrudes 2-1/2" from door face. Cabinets and drawers on adjacent 45° and 90° walls should be placed to avoid interference with the handle.

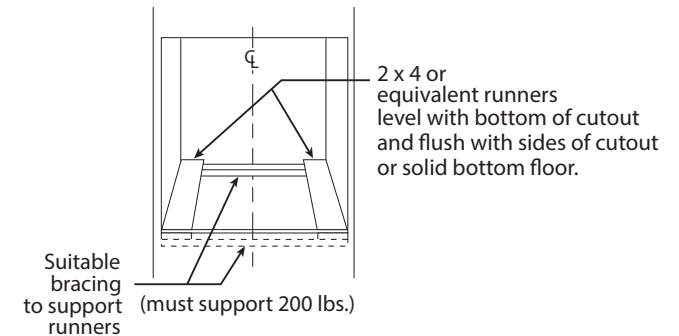
Electric wall ovens are not approved for installation with a plug and receptacle. They must be hard wired in accordance with installation instructions.

Installation Information: Before installing, consult installation instructions packed with product for current dimensional data.



KW Rating	
240V	4.5
208V	3.4
Breaker Size	
240V	20 Amps
208V	20 Amps

	CT9070
Cabinet	30"
A – Overlap of oven at top of cutout	1-1/4"
B – Overlap of oven over side of edges of cutout	3/4"
C – Overlap of oven at bottom of cutout	1-1/4"
Oven	
D – Overall depth with handle	27-3/16"
Overall depth without handle	23-1/2"
E – Overall height with trim	28-3/8"
F – Overall width	29-3/4"



For answers to your Monogram® or GE appliance questions, visit our website at geappliances.com or call GE Answer Center® service, 800.626.2000.



CT9070SH

GE Cafe™ Series 30 in. Built-In French-Door Single Convection Wall Oven

Dimensions and Installation Information (in inches)

Note: This model is not approved for installation below a countertop or in combination with a separate cooktop. The minimum installation height from the floor is 16-1/4".

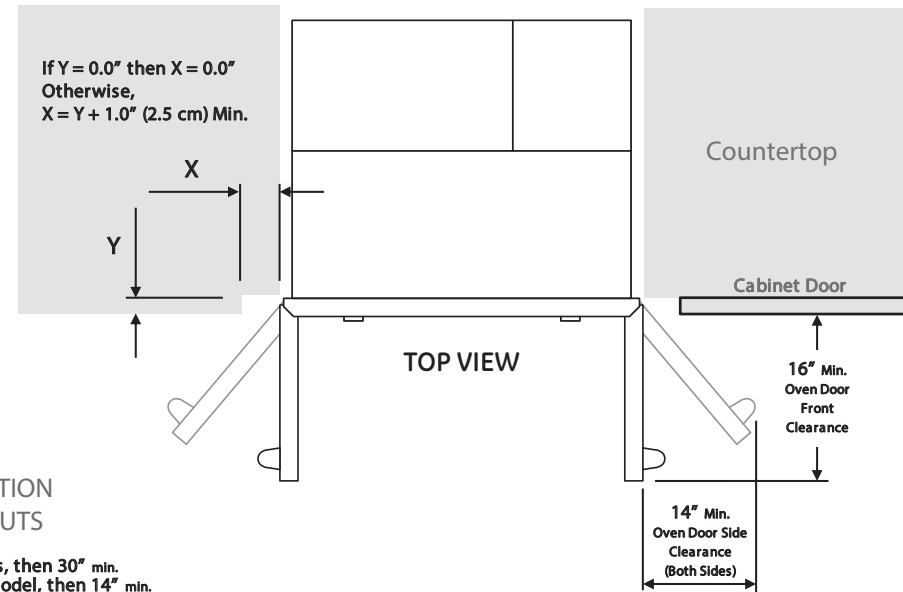
Note: A minimum gap of 14" from either side of the wall oven to an adjacent 45 or 90 cabinet, drawer or was is required to avoid interference with the opening of the doors. The handles protrude 2-1/2" from the door face.

Note: Countertops may need to be notched on either side of the wall oven to avoid interference with the opening of the doors.

Installation information: Before installing, consult installation instructions packed with products for current dimensional data and for alternate installation options.

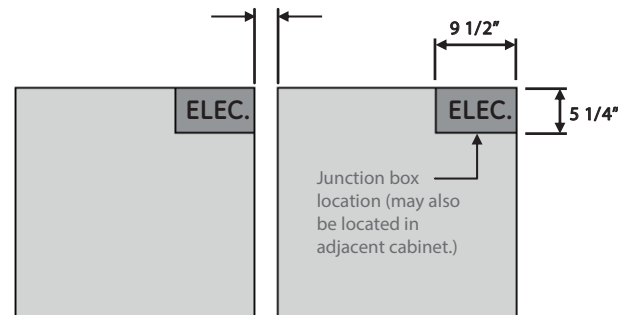
This model is not approved for flush-mount installation

INSTALLATION TO ADJACENT COUNTERTOP AND CABINET DOORS



SIDE BY SIDE INSTALLATION FRONT VIEW OF CUTOUTS

If both ovens are French Door models, then 30" min.
If the second oven is a drop down door model, then 14" min.



imagination at work

For answers to your Monogram® or GE appliance questions, visit our website at geappliances.com or call GE Answer Center® service, 800.626.2000.

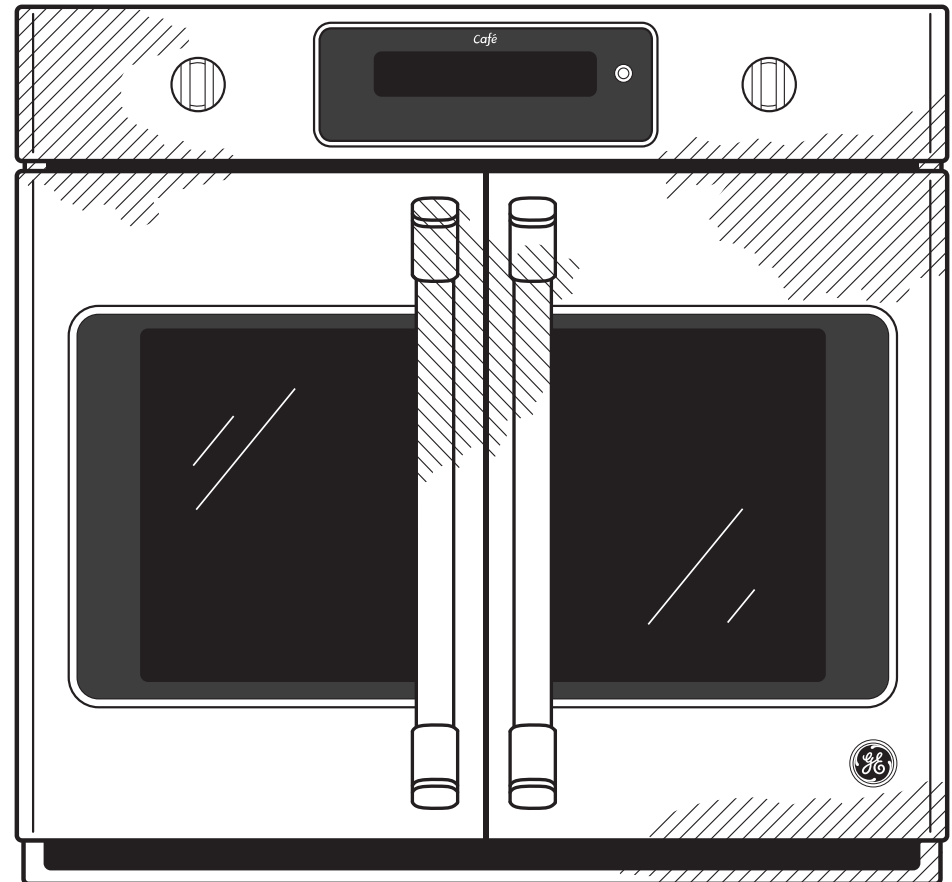
Specification Revised 1/15

CT9070SH

GE Cafe™ Series 30 in. Built-In French-Door Single Convection Wall Oven

Features and Benefits

- French door design - Inspired by commercial kitchen designs, precision engineering allows for one-handed opening of both oven doors at the same time
- True European Convection with Direct Air - Bakes evenly as warm air blows from the top in and around bakeware
- Electronic dial controls - The glass touch display and ergonomic control knobs are easy to operate and clean
- WiFi Connect - Wirelessly control oven functions from your smartphone
- Progressive halogen oven lighting - See what you're baking with lights that slowly illuminate the oven
- Self-clean with Steam Clean option - Clean your oven the way you want
- Self-clean heavy-duty roller rack - Easily access items with a rack that glides smoothly
- Ten-pass dual broil element - Large and small dishes brown evenly with two, full-coverage elements
- Ten-pass bake element - Even baking is assured with heat that covers more surface area
- 5.0 cu. ft. oven capacity - Cook more dishes at once
- Model CT9070SHSS - Stainless Steel



imagination at work