

# CP9530SJ

## GE Café™ Series 30" Built-In Knob Control Electric Cooktop

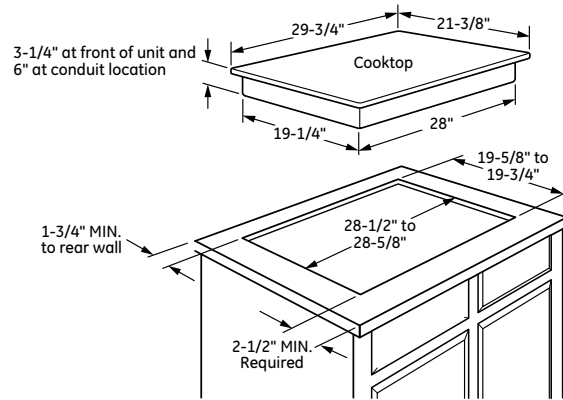
### DIMENSIONS AND INSTALLATION INFORMATION (IN INCHES)

**IMPORTANT:** Requires a 5" free area between the bottom of the cooktop to any combustible material, i.e., shelving. Free area not required when installing wall oven underneath cooktop. Refer to installation instructions. Requires a 15" minimum from cooktop to adjacent overhead cabinets. Units are furnished with a 48" flexible armored cable.

**NOTE:** 30" Ribbon cooktops are approved for use over select GE 27" and GE 30" Single Wall Ovens and Warming Drawers. Refer to cooktop and wall oven/warming drawer installation instructions packed with product for current dimensional data. If installed with a GE Telescopic Downdraft System, consult both the cooktop and downdraft installation instructions packed with product before installing. Cooktop gas/electric supply may need to be re-routed to install downdraft. The countertop cutout requires 23-1/2" minimum flat countertop surface and 25" minimum total countertop depth. In addition, other clearances to front edge of the countertop must be considered. **Before installing, consult installation instructions packed with product for current dimensional data.**

**CUTOUT FILLER TRIM KIT:** A filler trim kit is available for use if your countertop cutout is larger than the dimension shown, up to 29-13/16" x 20-7/16". Order JXTR32B for black or JXTR32W for white, to reduce the cutout opening for installation of this cooktop. These kits may be ordered from your GE Dealer.

### APPROXIMATE COOKING DIMENSIONS

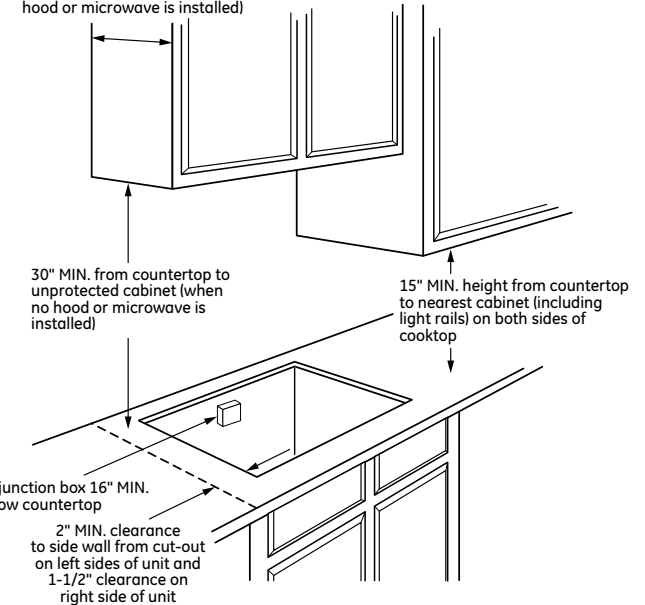


To insure accuracy, it is best to make a template when cutting the opening in the counter

KW Rating	
240V	9.4
208V	8.2
Amperage	
240V	39.2 Amps†
208V	39.2 Amps†

†Note: Check local codes for required breaker size

13" MAX. depth of unprotected overhead cabinets (when no hood or microwave is installed)



GE APPLIANCES

For answers to your Monogram,® GE Profile™ or GE® appliance questions, visit our website at [geappliances.com](http://geappliances.com) or call GE Answer Center® service, 800.626.2000.



Listed by Underwriters Laboratories

# CP9530SJ

## *GE Café™ Series 30" Built-In Knob Control Electric Cooktop*

### **FEATURES AND BENEFITS**

Five radiant cooking elements - Cook foods quickly and evenly on this sleek, glass surface

5"/7"/9" tri-ring Power Boil element - Use different pan sizes on this single, 3,000-watt flexible element that produces rapid powerful heat

5"/8" dual element - Use different pan sizes on this single, 2,200-watt flexible element

SyncBurners - Control two 7" elements simultaneously to evenly heat large cookware or griddles

Stainless Steel Clad Aluminum Griddle - Achieve even results with this lightweight griddle, tailored to fit GE SyncBurners

Keep Warm setting - Keep food warm with GE's lowest heat setting or boil water in minutes with this fully functional 6" element

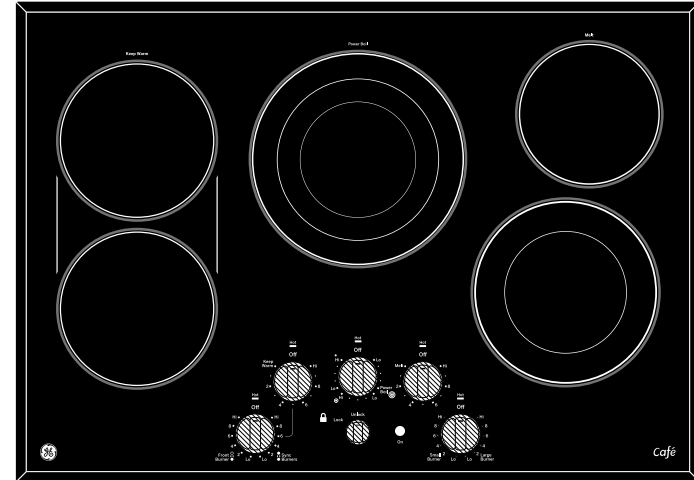
Control lock capability - Protects against unintended activation

Blue LED backlit knobs with beveled black glass surface - Enjoy a premium look with the convenience of knob controls

Hot surface indicator lights - Know when elements are too hot to touch with a quick glance

Cooktop "On" indicator light - A light lets you know when an element is active

Model CP9530SJSS - Stainless steel



**GE APPLIANCES**