

# CHP9530SJ

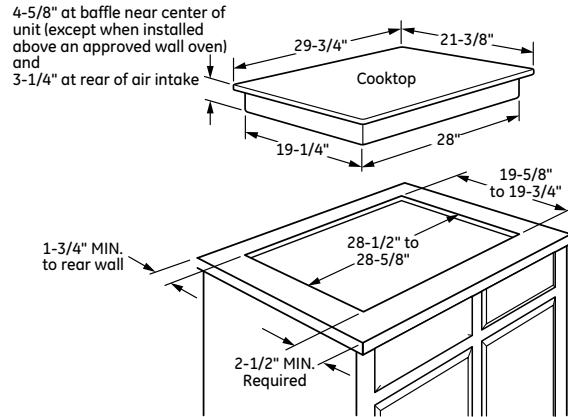
## GE Café™ Series 30" Built-In Touch Control Induction Cooktop

### DIMENSIONS AND INSTALLATION INFORMATION (IN INCHES)

**IMPORTANT:** Requires a 5" free area between the bottom of the cooktop to any combustible material, i.e., shelving. Free area not required when installing wall oven underneath cooktop. Refer to installation instructions. Requires a 15" minimum from cooktop to adjacent overhead cabinets. Units are furnished with a 48" flexible armored cable.

**NOTE:** 30" induction cooktops are approved for use over select GE 27" and GE 30" Single Wall Ovens and Warming Drawers. Refer to cooktop and wall oven/warming drawer installation instructions packed with product for current dimensional data. If installed with a GE Telescopic Downdraft System, consult both the cooktop and downdraft installation instructions packed with product before installing. Cooktop gas/electric supply may need to be re-routed to install downdraft. The countertop cutout requires 23-1/2" minimum flat countertop surface and 25" minimum total countertop depth. In addition, other clearances to front edge of the countertop must be considered. **Before installing, consult installation instructions packed with product for current dimensional data.**

### APPROXIMATE COOKING DIMENSIONS

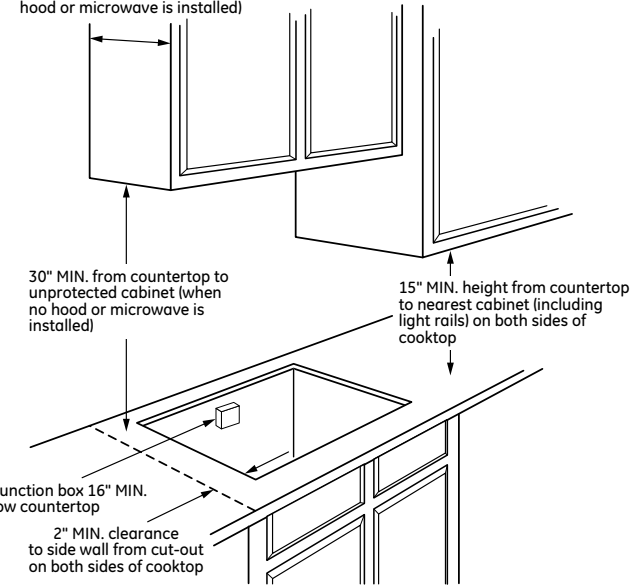


To insure accuracy, it is best to make a template when cutting the opening in the counter

KW Rating	
240V	7.3
208V	6.4
Amperage	
240V	30.8 Amps†
208V	30.8 Amps†

†Note: Check local codes for required breaker size

13" MAX. depth of unprotected overhead cabinets (when no hood or microwave is installed)



GE APPLIANCES

For answers to your Monogram® or GE appliance questions, visit our website at [geappliances.com](http://geappliances.com) or call GE Answer Center® service, 800.626.2000.



Listed by Underwriters Laboratories

# CHP9530SJ

## GE Café™ Series 30" Built-In Touch Control Induction Cooktop

### FEATURES AND BENEFITS

Four Induction elements - Enjoy a new level of rapid, precise heating with a cool-to-the-touch surface that's easy to clean

Glide touch controls - Precisely control heat instantly and easily with one swipe

11" 3,700-watt induction element - Rapidly boil water with GE's most powerful induction element

SyncBurners - Control two 7" elements simultaneously to evenly heat large cookware or griddles

Stainless Steel Clad Aluminum Griddle - Achieve even results with this lightweight griddle, tailored to fit GE SyncBurners

Multi-element timer - Manage up to four pans at once with individual timers for each element

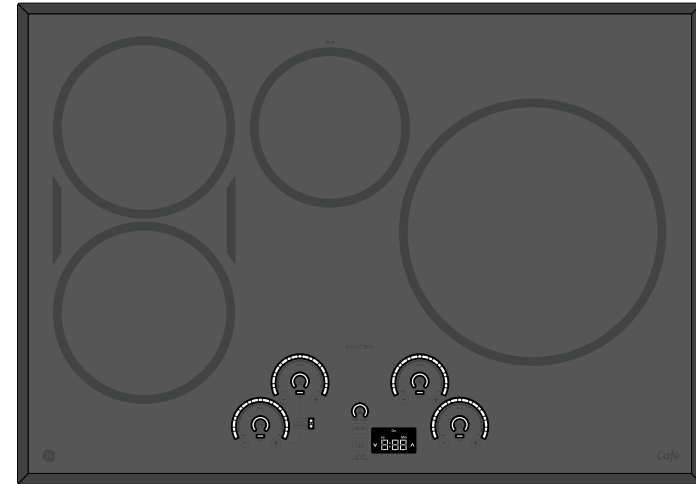
Control lock capability - Protects against unintended activation

Custom Settings - Personalize your cooktop settings to fit your cooking style

Pan presence & size sensor - Cook efficiently with elements that heat to the size of your pan and shut off when no pan is present

Blue LED display with beveled grey glass surface - Enjoy a premium look that blends in with modern kitchen finishes

Model CHP9530SJSS - Stainless steel



### OPTIONAL PRECISION COOKING KIT

Achieve restaurant quality results with a probe that wirelessly controls the temperature of your food. Ideal for Sous Vide, Slow Cooking, making candy, etc., or for any other cooking that requires precise control of temperature over time. Order part number JXSOUSV1 from your GE Dealer.



GE APPLIANCES