

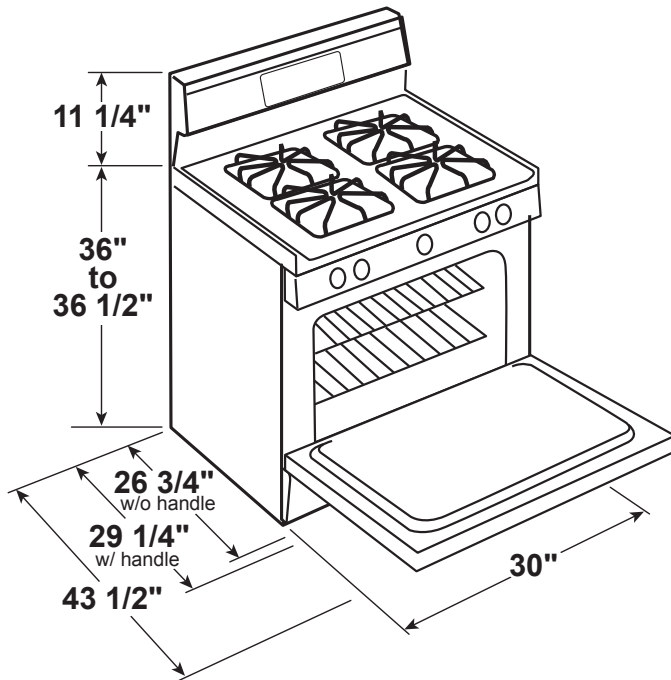
JGB860DEJ

GE Appliances 30" Free-Standing Gas Double Oven Convection Range

DIMENSIONS AND INSTALLATION INFORMATION (IN INCHES)

ELECTRICAL RATING: 120V, 60Hz, 15A

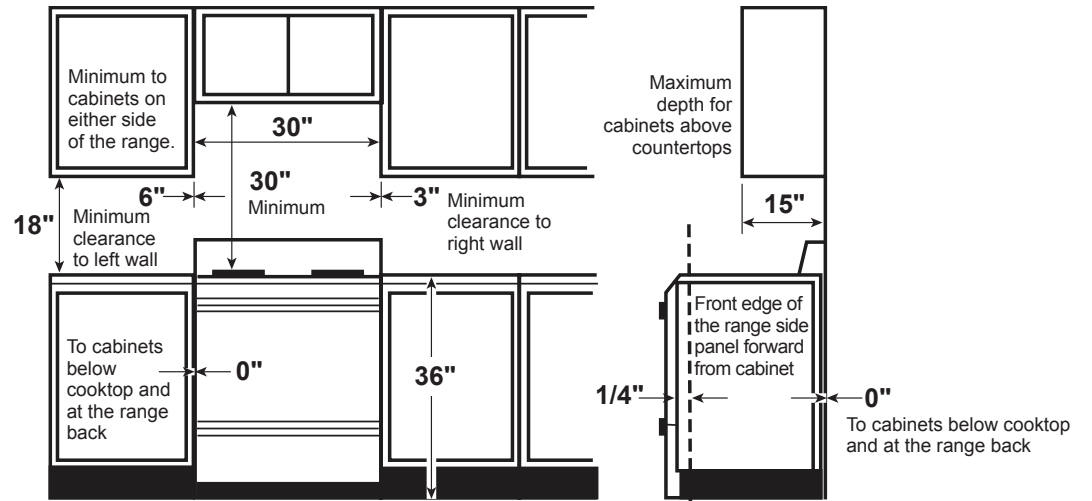
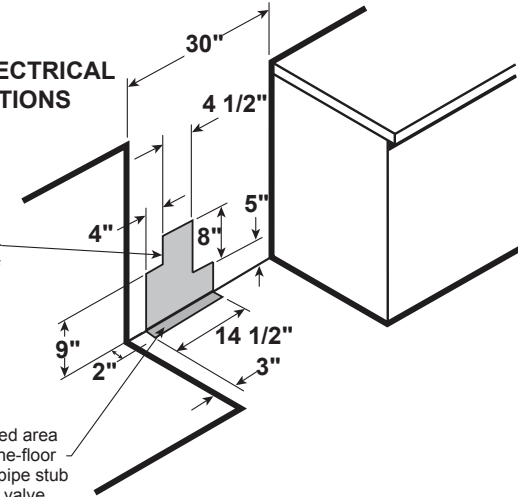
INSTALLATION INFORMATION: Before installing, consult installation instructions packed with product for current dimensional data.



GAS PIPE AND ELECTRICAL OUTLET LOCATIONS

Recommended area for 120V outlet on rear wall and area for through-the-wall connection of pipe stub and shut-off valve.

Recommended area for through-the-floor connection of pipe stub and shut-off valve.



For answers to your Monogram,® GE Profile™ or GE® appliance questions, visit our website at geappliances.com or call GE Answer Center® service, 800.626.2000.



All GE ranges are equipped with an Anti-Tip device. The installation of this device is an important, required step in the installation of the range.



JGB860DEJ

GE Appliances 30" Free-Standing Gas Double Oven Convection Range

FEATURES AND BENEFITS

Edge-to-edge cooktop - A large, continuous cooking surface gives you extra room for pots and pans of all sizes and lets cookware move easily from burner to burner

Extra-large integrated non-stick griddle - Cook up to six grilled cheeses at once on the industry's largest integrated griddle

Gas convection oven (lower oven) - Circulates heat for high-quality results

Double oven 6.8 cu. ft. total capacity - Large capacity is ideal for big meals

18,000 BTU Power Boil burner - Boil water fast with intense heat from this 18,000 BTU burner

Center oval burner - Large oval fifth burner is ideal for griddles

Self-clean with Steam Clean option - Clean your oven the way you want

Precise Simmer burner - Delicate foods don't burn with low, even heat

Heavy cast, dishwasher safe grates - Easily and safely clean grates in the dishwasher

Black gloss oven interior, Enjoy a clean and sleek appearance

Model JGB860DEJWW - White on white

Model JGB860DEJBB - Black on black

