

PB980SJ

GE Profile™ Series 30" Free-Standing Double Oven Convection Range

DIMENSIONS AND INSTALLATION INFORMATION (IN INCHES)

RECEPTACLE LOCATIONS

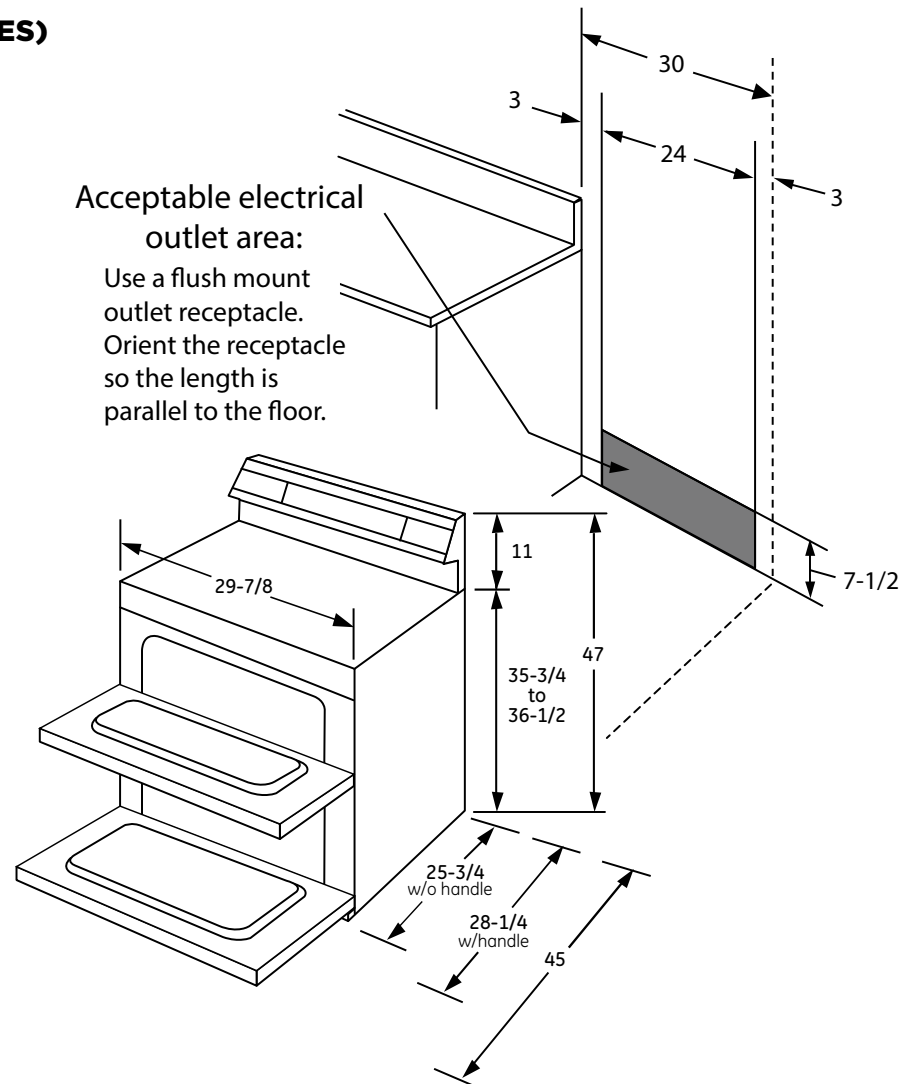
Locally approved flexible service cord or conduit must be used because terminals are not accessible after range installation. See shaded area in drawing for location of electrical outlet box. Recommended outlet locations allow range to be installed directly against wall.

NOTE: This appliance has been approved for 0" spacing to adjacent surfaces above the cooktop. However, a 6" minimum spacing to surfaces less than 15" above the cooktop and adjacent cabinet is recommended to reduce exposure to steam, grease splatter and heat.

INSTALLATION INFORMATION: Before installing, consult installation instructions for current dimensional data and additional requirements.

KW Rating	
240V	16.0
208V	12.0
Breaker Size	
240V	40 Amps [†]
208V	40 Amps [†]

NOTE: Check local codes for required breaker size.



GE APPLIANCES

For answers to your Monogram,® GE Profile™ or GE® appliance questions, visit our website at geappliances.com or call GE Answer Center® service, 800.626.2000.



All GE ranges are equipped with an Anti-Tip device. The installation of this device is an important, required step in the installation of the range.



Listed by Underwriters Laboratories

Specification Revised 7/15

PB980SJ

GE Profile™ Series 30" Free-Standing Double Oven Convection Range

FEATURES AND BENEFITS

Edge-to-edge cooktop – A large, seamless surface makes it easy to wipe away messes

12"/9"/6" 3,600W Power Boil – Pots and pans fit perfectly on the flexible heating element

Bridge zone – Cook griddle favorites from the convenience of your range

Fast preheat – Make hot meals in a hurry with less time preheating

Chef Connect – Three options with a single touch. For instant convenience, choose when to automatically sync clocks and the range elements with the microwave's surface light and vent.

True European Convection with Precise Air – Enjoy perfectly even results without turning the pan

Self-clean, heavy-duty roller rack – Easily access items with a rack that glides smoothly

Fifth element warming zone – Provides low-heat capability for foods

Hidden bake oven interior – Make cleanup easy by eliminating hard-to-reach areas

Double oven 6.6 cu. ft. total oven capacity – Cook multiple dishes at once with two ovens

Model PB980SJSS – Stainless steel



GE APPLIANCES