

# GDT635HGJ/HMJ/HSJ

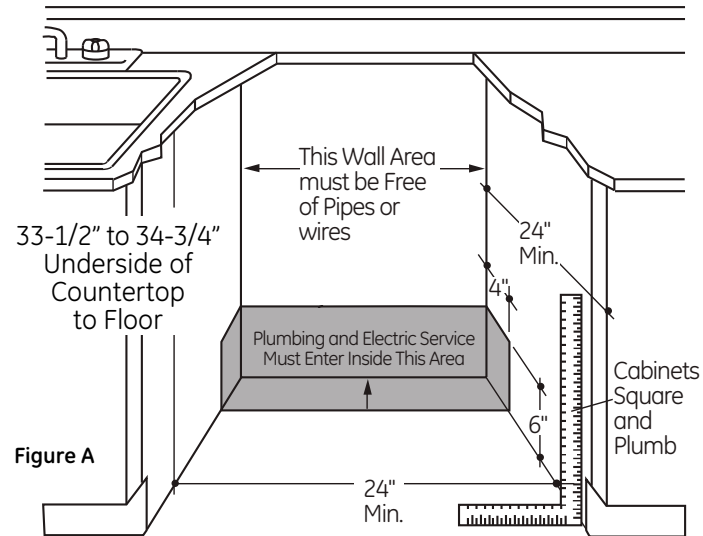
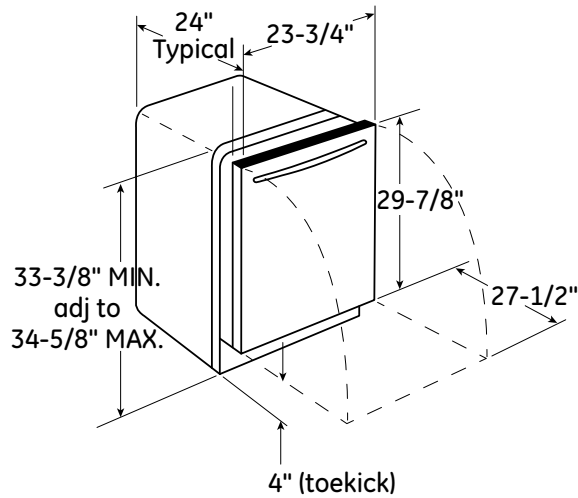
## GE® Series Hybrid Stainless Steel Interior Dishwasher with Hidden Controls

### DIMENSIONS AND INSTALLATION INFORMATION (IN INCHES)

#### ELECTRICAL RATING

Voltage AC .....	120
Hertz.....	60
Total connected load amperage.....	7.1
Calrod® heater watts .....	415/800

For use on adequately wired 120-volt, 15-amp circuit having 2-wire service with a separate ground wire. This appliance must be grounded for safe operation.



**GE APPLIANCES**

For answers to your Monogram®, GE Profile™ Series or GE® Series appliance questions, visit our website at [geappliances.com](http://geappliances.com) or call GE Answer Center® service, 800.626.2000.



Listed by Underwriters Laboratories



As an ENERGY STAR® partner, GE has determined that this product meets the ENERGY STAR guidelines for energy efficiency.

# GDT635HGJ/HMJ/HSJ

## *GE® Series Hybrid Stainless Steel Interior Dishwasher with Hidden Controls*

### **FEATURES AND BENEFITS**

Hybrid stainless steel interior – Enjoy the combination of stainless steel on the inner door and a durable plastic tub

Bottle Jets – Clean hard-to-reach areas inside tall items with two dedicated jets integrated into the upper rack that shower water deep inside for the ultimate clean

Piranha™ hard food disposer with removable filter – To ensure consistently clean items, this stainless steel blade rotates at 3,600 RPM to pulverize food particles and helps to prevent large particles from clogging the wash arms

48 dBA with status light on door – A dishwasher this quiet has a status light to let you know it is running

Wash zones – Wash a true half-load in either the upper or lower rack without sacrificing cycles and options available on a full wash

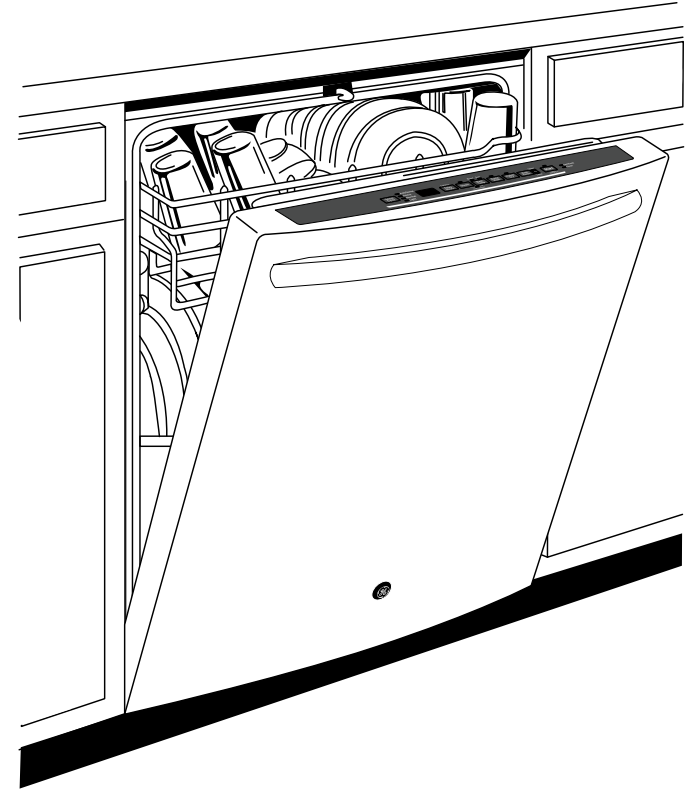
3-digit countdown display with 1-12-hour Delay Start – Wash dishes at your convenience

Model GDT635HSJSS – Stainless steel

Model GDT635HGJWW – White

Model GDT635HGJBB – Black

Model GDT635HMJES – Slate



**GE APPLIANCES**