

# GDT625PGJ/PSJ

## GE® Series Dishwasher with Hidden Controls

### DIMENSIONS AND INSTALLATION INFORMATION (IN INCHES)

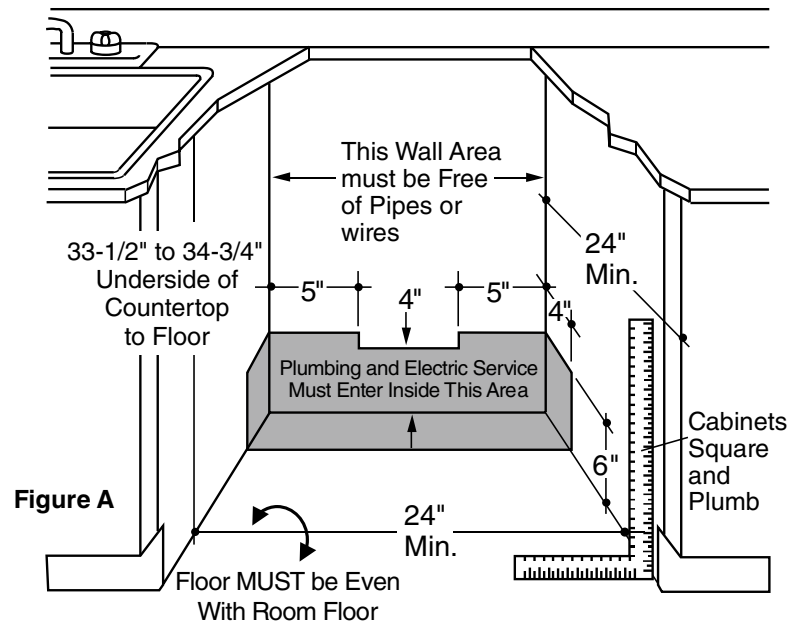
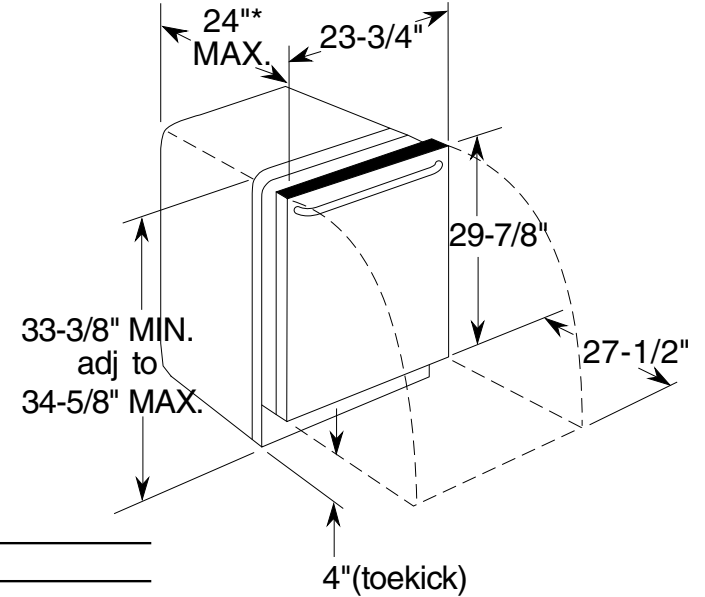
#### ELECTRICAL RATING

Voltage AC .....	120
Hertz.....	60
Total connected load amperage.....	7.1
Calrod® heater watts .....	415/800

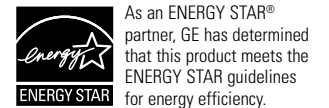
For use on adequately wired 120-volt, 15-amp circuit having 2-wire service with a separate ground wire. This appliance must be grounded for safe operation.

#### INSTALLATION INFORMATION:

Before installing, consult installation instructions packed with product for current dimensional data.



For answers to your Monogram,® GE Profile™ or GE® appliance questions, visit our website at [geappliances.com](http://geappliances.com) or call GE Answer Center® service, 800.626.2000.



# GDT625PGJ/PSJ

## GE® Series Dishwasher with Hidden Controls

### FEATURES AND BENEFITS

GE's most advanced wash system – Consistently clean and dry dishes are ensured with GE's most advanced wash system, featuring 65% more wash power.\*

*\*Wash power delivered to each rack. Compared to previous GE models.*

Bottle Jets – Clean hard-to-reach areas inside tall items with two dedicated jets integrated into the upper rack that shower water deep inside for the ultimate clean

Piranha™ hard food disposer with removable filter – To ensure consistently clean items, this stainless steel blade rotates at 3,600 RPM to pulverize food particles and helps to prevent large particles from clogging the wash arms

48 dBA with status light on door – A dishwasher this quiet has a status light to let you know it is running

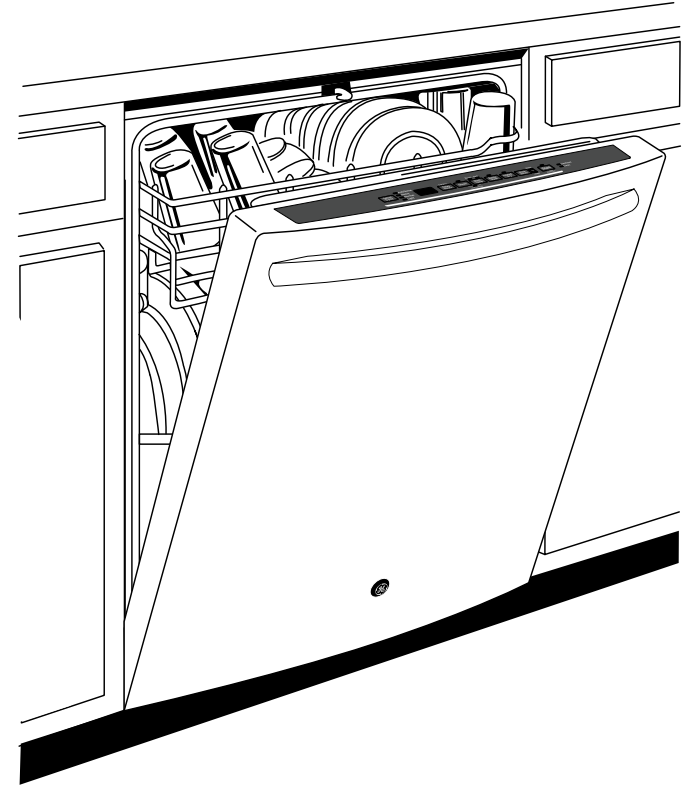
Wash zones – Wash a true half-load in either the upper or lower rack without sacrificing cycles and options available on a full wash

3-digit countdown display with 1-12-hour Delay Start – Wash dishes at your convenience

Model GDT625PSJSS – Stainless steel

Model GDT625PGJWW – White

Model GDT625PGJBB – Black



GE APPLIANCES