

# CDT835SSJ

## GE Cafe™ Series Stainless Steel Interior Dishwasher with Hidden Controls

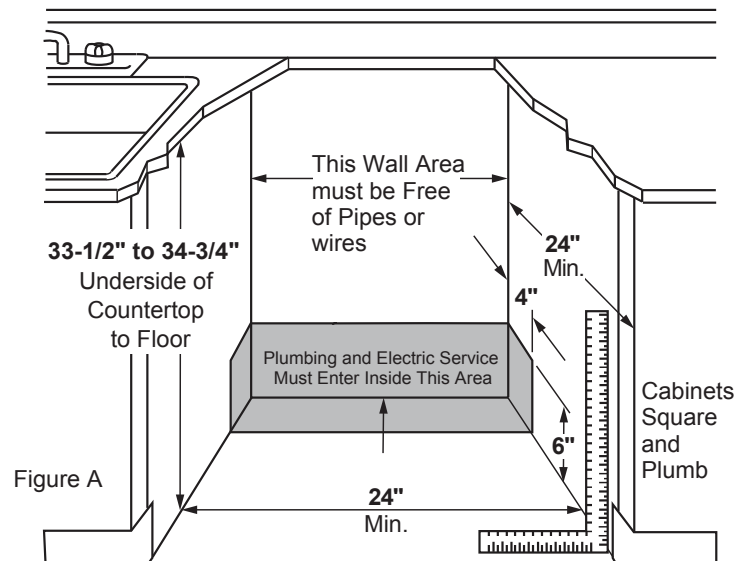
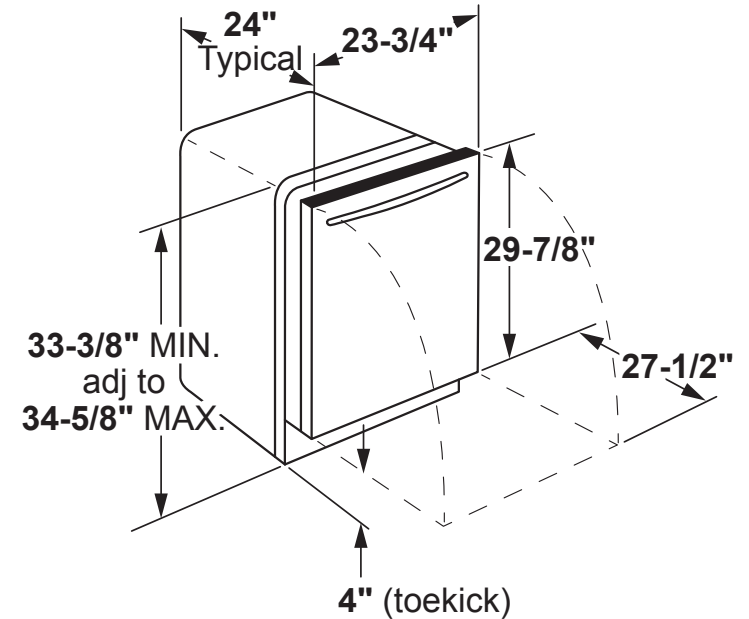
### DIMENSIONS AND INSTALLATION INFORMATION (IN INCHES)

#### ELECTRICAL RATING

Voltage AC.....	120
Hertz.....	60
Total connected load amperage.....	7.2
Calrod® heater watts max.....	415/800

For use on adequately wired 120-volt, 15-amp circuit having 2-wire service with a separate ground wire. This appliance must be grounded for safe operation.

**INSTALLATION INFORMATION:** Before installing, consult installation instructions packed with product for current dimensional data.



For answers to your Monogram, GE Cafe™ Series, GE Profile™ Series or GE Appliances product questions, visit our website at [geappliances.com](http://geappliances.com) or call GE Answer Center® Service, 800.626.2000.



Listed by Underwriters Laboratories



As an ENERGY STAR® partner, GE has determined that this product meets the ENERGY STAR guidelines for energy efficiency.

# CDT835SSJ

## *GE Cafe™ Series Stainless Steel Interior Dishwasher with Hidden Controls*

### **FEATURES AND BENEFITS**

Advanced wash system with more than 140 cleaning jets - Achieve the ultimate clean from an industry-leading number of jets that deliver complete washing coverage to every corner of the dishwasher

Deep Clean silverware jets - No matter how you load your silverware basket, powerful jets blast away stuck-on food for silverware that's always spotless

Bottle Jets - Clean hard-to-reach areas inside tall items with two dedicated jets integrated into the upper rack that shower water deep inside for the ultimate clean

Reversing quad blade wash arm - Dishes come out impressively clean thanks to this revolutionary lower wash arm, with 25 spray jets reversing direction to hit items from every angle

Easy touch adjustable upper rack with 2 Stem Safe shelves - Quickly adjust the upper rack 2 inches up or down to accommodate tall glassware and 10 ½" plates with plenty of room in the bottom rack for large platters and cookie sheets

Top control with LCD display - User-friendly controls complement the sleek stainless look

Side jets - Cascading water fills the dishwasher while hydrating soils

Hidden vent with fan dry - Dishes dry quickly and efficiently with a fan that extracts moisture from the interior

Full extension smooth glide upper rack with fold-down tines - Easily fit large or odd-shaped items in the upper rack

45 dBA - Ultra-quiet operation creates a peaceful kitchen environment even as it delivers powerful wash performance

Model CDT835SSJSS - Stainless steel

