

# CDT865SSJ

## GE Cafe™ Series Stainless Steel Interior Dishwasher with Hidden Controls

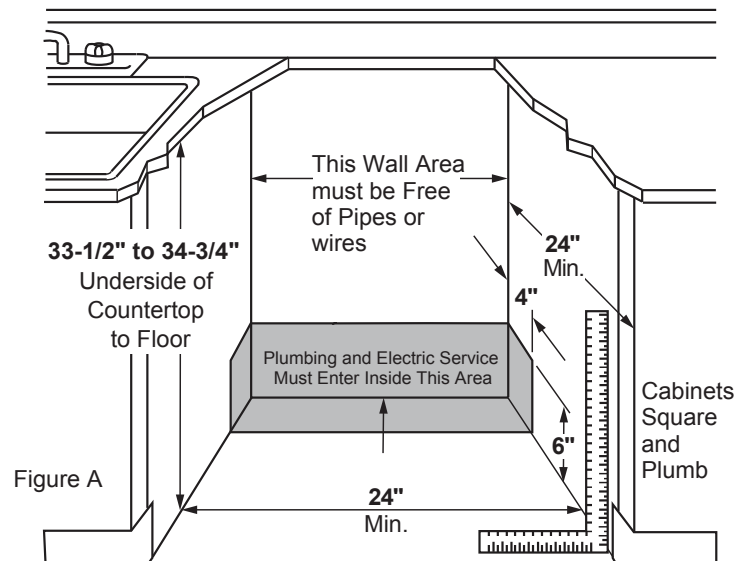
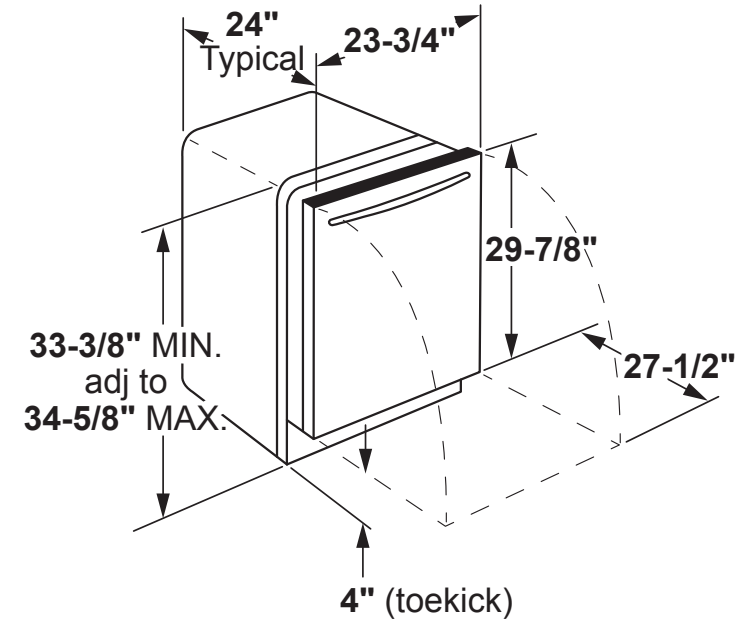
### DIMENSIONS AND INSTALLATION INFORMATION (IN INCHES)

#### ELECTRICAL RATING

Voltage AC.....	120
Hertz.....	60
Total connected load amperage.....	9.0
Calrod® heater watts max.....	1060

For use on adequately wired 120-volt, 15-amp circuit having 2-wire service with a separate ground wire. This appliance must be grounded for safe operation.

**INSTALLATION INFORMATION:** Before installing, consult installation instructions packed with product for current dimensional data.



For answers to your Monogram, GE Cafe™ Series, GE Profile™ Series or GE Appliances product questions, visit our website at [geappliances.com](http://geappliances.com) or call GE Answer Center® Service, 800.626.2000.



Listed by Underwriters Laboratories



As an ENERGY STAR® partner, GE has determined that this product meets the ENERGY STAR guidelines for energy efficiency.

# CDT865SSJ

## *GE Cafe™ Series Stainless Steel Interior Dishwasher with Hidden Controls*

### **FEATURES AND BENEFITS**

Advanced wash system with more than 140 cleaning jets - Achieve the ultimate clean from an industry-leading number of jets that deliver complete washing coverage to every corner of the dishwasher

Deep Clean silverware jets - No matter how you load your silverware basket, powerful jets blast away stuck-on food for silverware that's always spotless

Third Rack - Easily clean an entire flatware collection, knives and small utensils with an additional rack across the top of the dishwasher

Bottle Jets - Clean hard-to-reach areas inside tall items with dedicated jets integrated into the upper rack that shower water deep inside for the ultimate clean

Reversing quad blade wash arm - Dishes come out impressively clean thanks to this revolutionary lower wash arm, with 25 spray jets reversing direction to hit items from every angle

Hidden vent with fan dry and hidden heater - Get dry and table-ready items every time thanks to a 1,000-watt hidden heater and fan that circulates the air to remove moisture

Easy touch adjustable upper rack with 2 Stem Safe shelves - Quickly adjust the upper rack 2 inches up or down to accommodate tall glassware and 10 ½" plates with plenty of room in the bottom rack for large platters and cookie sheets

Top control with LCD display - User-friendly controls complement the sleek stainless look

Side jets - Cascading water fills the dishwasher while hydrating soils

40 dBA - Ultra-quiet operation creates a peaceful kitchen environment even as it delivers powerful wash performance

Model CDT865SSJSS - Stainless steel

