

JGBS60GEK

GE Appliances 30" Free-Standing Gas Range

DIMENSIONS AND INSTALLATION INFORMATION (IN INCHES)

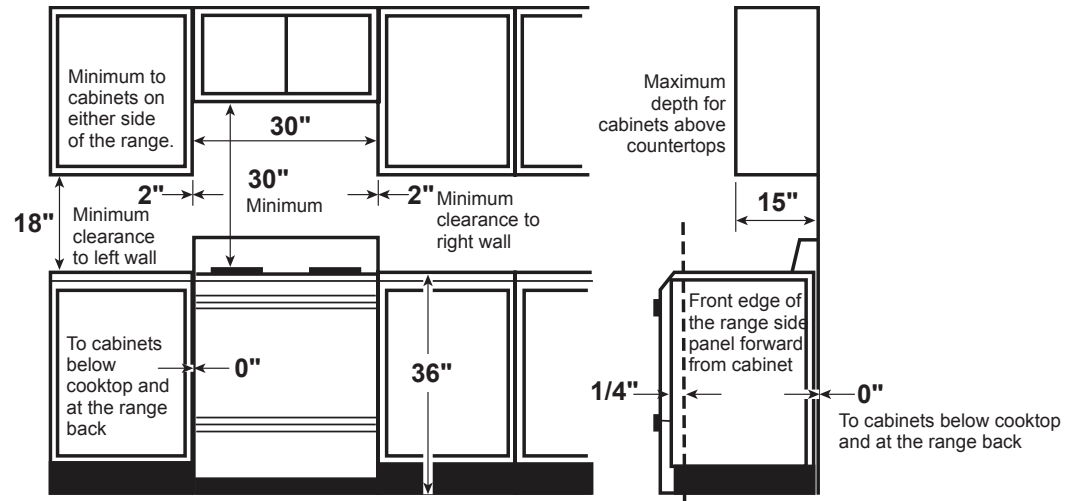
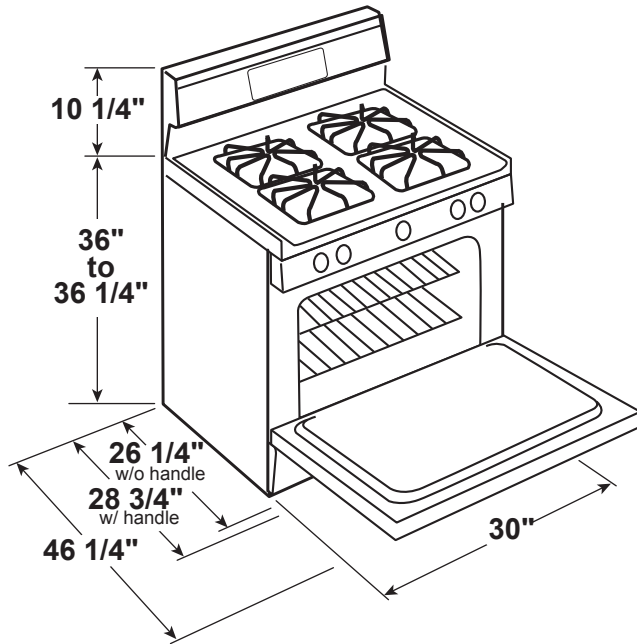
ELECTRICAL RATING: 120V, 60Hz, 15A

INSTALLATION INFORMATION: Before installing, consult installation instructions packed with product for current dimensional data.

GAS PIPE AND ELECTRICAL OUTLET LOCATIONS

Recommended area for 120V outlet on rear wall and area for through-the-wall connection of pipe stub and shut-off valve.

Recommended area for through-the-floor connection of pipe stub and shut-off valve.



For answers to your Monogram, GE Café™ Series, GE Profile™ Series or GE Appliances product questions, visit our website at geappliances.com or call GE Answer Center® Service, 800.626.2000.



All GE ranges are equipped with an Anti-Tip device. The installation of this device is an important, required step in the installation of the range.



JGBS60GEK

GE Appliances 30" Free-Standing Gas Range

FEATURES AND BENEFITS

13,000 BTU burner – Delivers a wide range of heat output ideal for most cooking requirements

Precise Simmer burner – Delicate foods don't burn with low, even heat

Sealed cooktop burners – Contain spills and make cleaning quick and easy

Black matte steel grates – Enjoy a high-end look with a durable, matte coating

Standard clean oven – Smooth surface makes cleaning by hand easier

4.8 cu. ft. oven capacity – Enough room to cook an entire meal at once

Flexible broiling - Use any sized pan under the broiler for maximum broil flexibility

Model JGBS60GEKSA – Silver

