

JVM7195DK

GE® 1.9 cu. ft. Over-the-Range Sensor Microwave Oven

DIMENSIONS AND INSTALLATION INFORMATION (IN INCHES)

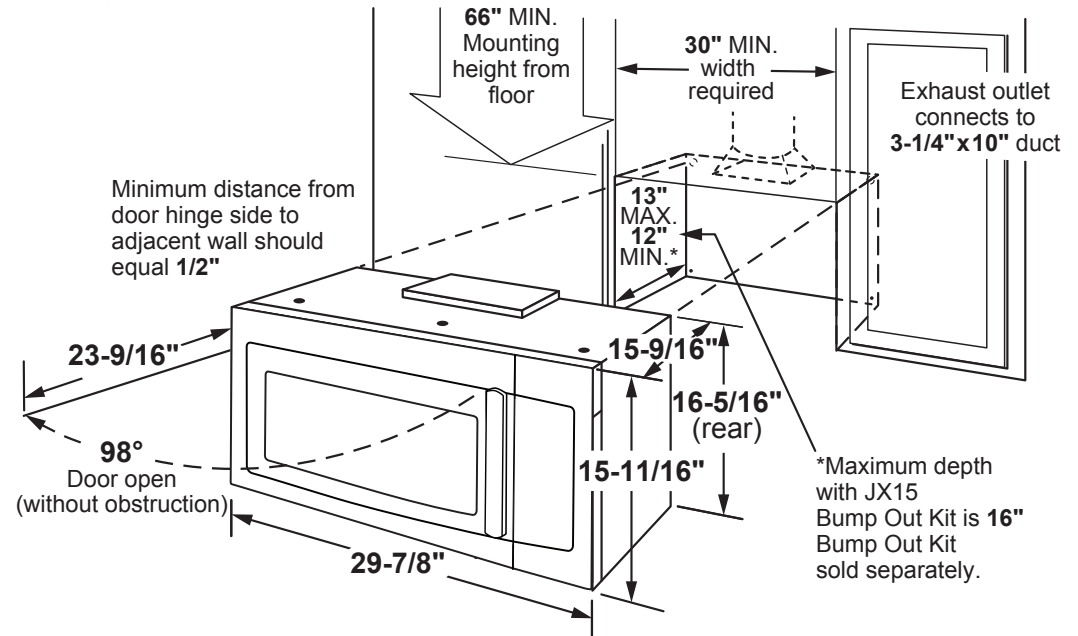
NOTE: Requires 120V grounded outlet. Electrical receptacle must be located in cabinet above microwave oven. No additional wiring, venting or cabinet rebuilding necessary in many cases. Complete detailed, easy-to-follow installation instructions and convenient full-size templates are packed with the microwave oven.

IMPORTANT INFORMATION: When installing the microwave oven over a range, allow minimum of 2" from bottom of microwave oven to top of range backguard to allow for removal of light covers.

VENTILATION OPTIONS: The microwave ovens are designed for adaptation to the following three types of ventilation:

- Outside exhaust (vertical – as shown)
- Outside exhaust (horizontal)
- Recirculating (non-vented ductless – see Filter Kit drawing)

INSTALLATION INFORMATION: This information is not intended to be used for installing unit described. Before installing, consult installation instructions packed with product/kit for current dimensional data.



For answers to your Monogram, GE Café™ Series, GE Profile™ Series or GE Appliances product questions, visit our website at geappliances.com or call GE Answer Center® Service, 800.626.2000.



Specification Revised 2/20

JVM7195DK

GE® 1.9 cu. ft. Over-the-Range Sensor Microwave Oven

DIMENSIONS AND INSTALLATION INFORMATION (IN INCHES)

HOOD EXHAUST DUCT: Outside ventilation requires a HOOD EXHAUST DUCT. Read the following carefully.

EXHAUST CONNECTION: The hood exhaust has been designed to mate with a standard 3-1/4" x 10" rectangular duct. If a round duct is required, a rectangular-to-round transition adaptor must be used. Do not use less than a 6" diameter duct

REAR EXHAUST: If a rear or horizontal exhaust is to be used, care should be taken to align exhaust with space between studs, or wall should be prepared at the time it is constructed by leaving enough space between the wall studs to accommodate exhaust.

MAXIMUM DUCT LENGTH: For satisfactory air movement, the total duct length of 3-1/4" x 10" rectangular or 6" diameter round duct should not exceed 140 equivalent feet.

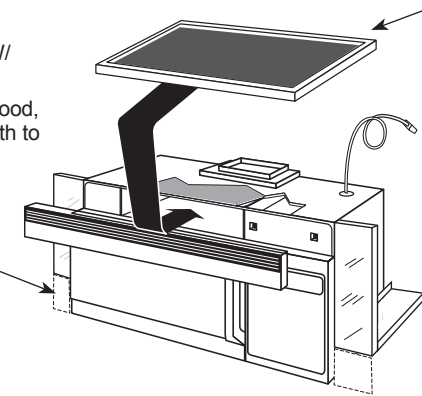
ELBOWS, TRANSITIONS, WALL AND ROOF CAPS, etc., present additional resistance to airflow and are equivalent to a section of straight duct which is longer than their actual physical size. When calculating the total duct length, add the equivalent length of all transitions and adaptors plus the lengths of all straight duct sections. The chart below shows the approximate feet of equivalent length of some typical ducts.

| DUCT | EQUIVALENT FEET |
|---|-----------------|
| A. Rectangular-To-round Transition Adaptor | 5 ft. |
| B. Wall Cap | 40 ft. |
| C. 90° Elbow | 10 ft. |
| D. 45° Elbow | 5 ft. |
| E. 90° Elbow | 25 ft. |
| F. 45° Elbow | 5 ft. |
| G. Roof Cap | 24 ft. |

OPTIONAL ACCESSORIES (AVAILABLE AT ADDITIONAL COST)

Filler Panel Kit JX36BBB/BWW/
BSS/BES/BTS/BDS

When replacing a 36" range hood, this kit fills in the additional width to provide a custom built-in appearance. For installation between cabinets only; not for end-of-cabinet installation. Each kit contains two 3"-wide filler panels.



Filter Kit
WB06X10807
Recirculating
Charcoal Filter Kit
To be used when
the microwave
oven cannot be
vented to the
outside.



For answers to your Monogram, GE Café™ Series, GE Profile™ Series or GE Appliances product questions, visit our website at geappliances.com or call GE Answer Center® Service, 800.626.2000.

JVM7195DK

GE® 1.9 cu. ft. Over-the-Range Sensor Microwave Oven

FEATURES AND BENEFITS

1.9 cu. ft. capacity - 1000 Watts (IEC-705 test procedure)

Easy clean interior - Makes cleaning spills and splatters a snap

Melt feature - Worry-free melting of butter, caramel, chocolate and cheese

Easy clean with steam clean - Messes inside the microwave are easy to wipe away after steam loosens food grime

Weight and time defrost - Simply enter the weight of the food, and the oven automatically sets the optimal defrosting time and power level or set your desired time for defrosting

Upfront charcoal filter with indicator light - Light indicates when odor-removing charcoal filter needs to be replaced

Four-speed with boost, 400-CFM venting fan system - Quickly removes smoke, steam and odors from the cooktop to keep kitchen air fresh and clean

Turntable with on/off - Controls turntable operation

Sensor cooking controls - Automatically adjusts time and power for delicious cooking results

Model JVM7195DKBB – Black

Model JVM7195DKCC – Bisque

Model JVM7195DKWW - White

