

# UCC15NJII

## 15" Built-In Gourmet Clear Ice Maker

### DIMENSIONS AND INSTALLATION INFORMATION (IN INCHES)

#### DIMENSIONS

H 33-7/8" - 34-7/8"

W 14-7/8"

D 22-3/4"

#### NOTE:

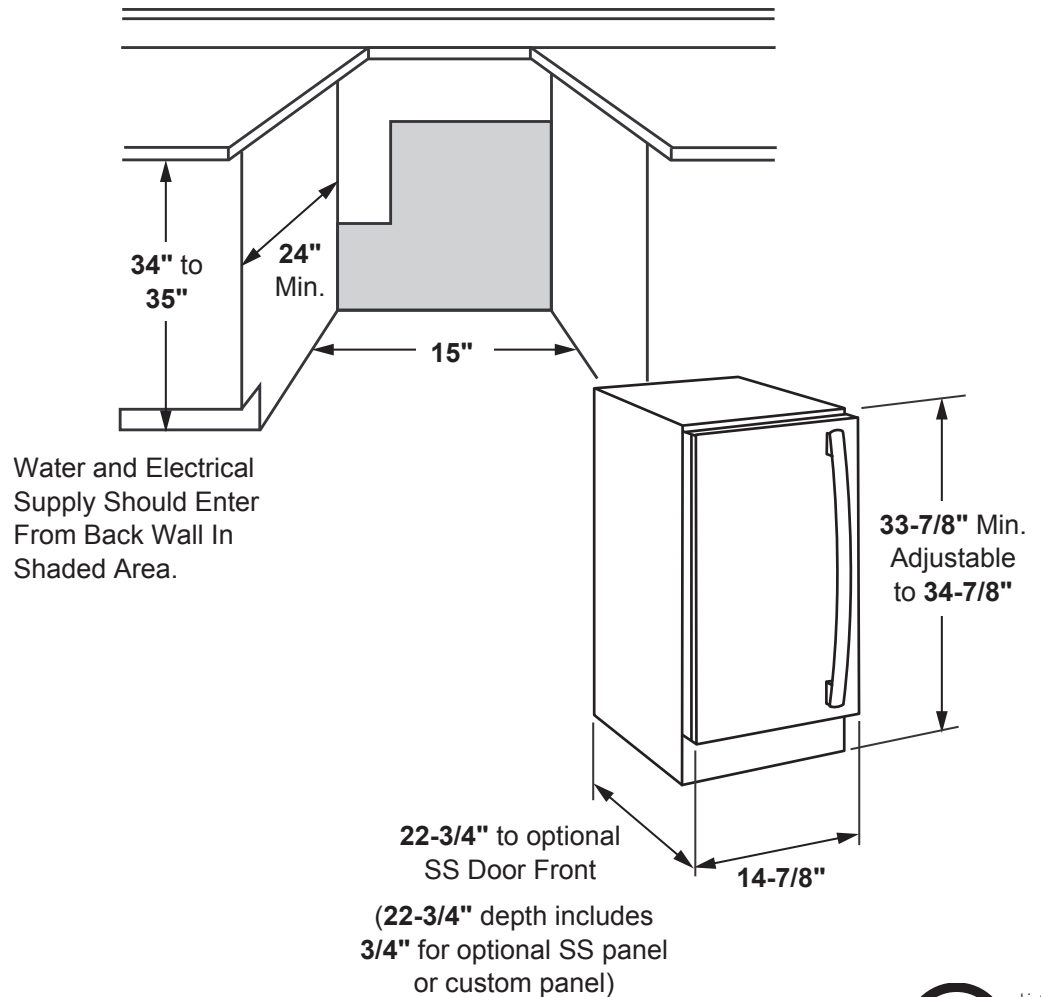
The finished cut-out is determined by the type of installation. Before installing, consult installation instructions packed with product for current dimensional data.

#### WARRANTY INFORMATION:

Limited one-year warranty, in-home service, parts and labor.\*

Limited five-year warranty, parts and labor on the compressor, evaporator and all connecting tubing.\*

\*See written warranty for complete details.



For answers to your Monogram, GE Café™ Series, GE Profile™ Series or GE Appliances product questions, visit our website at [geappliances.com](http://geappliances.com) or call GE Answer Center® Service, 800.626.2000.



Specification Revised 2/20

# UCC15NJII

## 15" Built-In Gourmet Clear Ice Maker

### INSTALLATION INFORMATION

The ice machine can be used free-standing or as a built-in, under the countertop.

The ice machine requires a 115 Volt, 60 Hz., AC only power supply, with an individual, properly grounded branch circuit, protected by a 15 amp fuse or circuit breaker.

To achieve a custom appearance, the ice machine door accepts 3/4" custom panels to coordinate or contrast with cabinetry. Optional door panels and handle kits are available. Order PIP70SS for stainless steel door panel kit with Profile handle. ZIP85SS for stainless steel door panel kit with Monogram Statement handle. ZIS85SS for stainless steel door panel kit with Monogram Minimalist handle.

### CAFE™ PANEL AND HANDLE KITS BELOW

Panel Kits:		CIP75S1 (Stainless)	CIP75D1 (Matte Black)	CIP75W2 (Matte White)
Handle Kits:	Brushed Black	CXXNIHIPNBT	CXXNIHIPNBT	CXXNIHIPNBT
	Brushed Bronze	CXXNIHIPNBZ	CXXNIHIPNBZ	(Included with CIP75W2)
	Brushed Copper	CXXNIHIPNCU	CXXNIHIPNCU	CXXNIHIPNCU
	Brushed Stainless	(Included with CIP75S1)	(Included with CIP75D1)	CXXNIHIPNSS

### NOTE:

The ice machine is equipped with a gravity drain to prevent water from flowing back into the ice storage bin. A drain pump is necessary when a floor drain is not available. Order UPK3 Drain Pump Kit.



For answers to your Monogram, GE Cafe™ Series, GE Profile™ Series or GE Appliances product questions, visit our website at [geappliances.com](http://geappliances.com) or call GE Answer Center® Service, 800.626.2000.

# UCC15NJII

## *15" Built-In Gourmet Clear Ice Maker*

### **FEATURES AND BENEFITS**

High gourmet clear ice production – Produces up to 48 pounds of ice per day

Large capacity ice bin – Holds 26 pounds of gourmet clear ice and automatically shuts off when the bin is full

Interior LED lighting – Puts gourmet clear ice cubes in clear view

Free-standing or built-in capable

Clean indicator light – Alerts when it's time to clean the product

Ice scoop – Has a sturdy design that makes it easy to transfer gourmet clear ice cubes to glassware

Indoor or outdoor capable

Optional door and handle kits available

Optional drain pump kit available

Model UCC15NJII – Panel ready

