

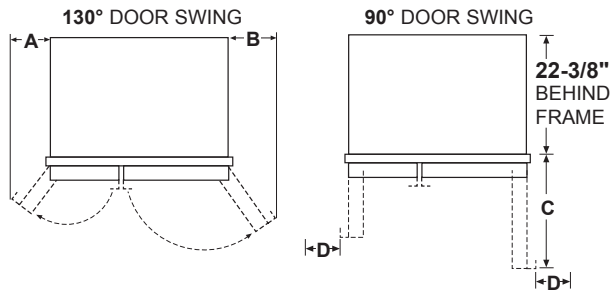
PSB42YSK

GE Profile™ Series 42" Built-In Side-By-Side Refrigerator with Dispenser

DIMENSIONS AND INSTALLATION INFORMATION

PRODUCT CLEARANCES

These refrigerators are equipped with a 2-position door stop. The factory set 130° door swing can be adjusted to 90° if clearance to adjacent cabinets or walls is restricted.



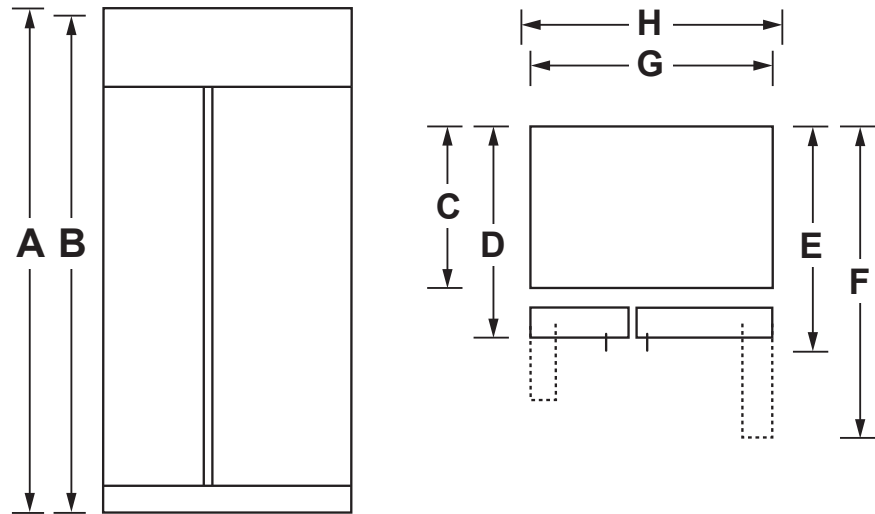
MODELS	A	B	C	D
42"	12-3/16"	16"	27-7/8"	4"

Allow minimum clearances for Freezer door (Dimension A) and Fresh Food door (Dimension B) for a full 130° door swing and to allow for drawer removal.

Four inch (4") minimum clearance is required when door swing is adjusted to 90°. If the 90° door stop position is used, drawer access is maintained, but drawer removal is restricted.

STAINLESS STEEL WRAPPED REFRIGERATORS

Stainless Steel wrapped refrigerators have wrapped doors and grille panels, and beveled edges. These models are shipped ready for installation.



Overall Dimensions	Height to top of door (in.) A	84
	Height to top of case (in.) B	83-1/2
	Case depth without door (in.) C	22-3/8
	Case depth less door handle (in.) D	25-3/4
	Case depth with door handle (in.) E	28-1/8
	Depth with fresh food door open 90° (in.) F	50-1/4
	Width (in.) G	42
	Width with door open 90° inc. handle (in.) H	48-1/4



For answers to your Monogram, GE Cafe™ Series, GE Profile™ Series or GE Appliances product questions, visit our website at geappliances.com or call GE Answer Center® Service, 800.626.2000.



Total volume and shelf area are calculated by the Association of Home Appliance Manufacturers' standards.



Listed by Underwriters Laboratories



Specification Revised 3/16

PSB42YSK

GE Profile™ Series 42" Built-In Side-By-Side Refrigerator with Dispenser

DIMENSIONS AND INSTALLATION INFORMATION

GROUNDING THE REFRIGERATOR

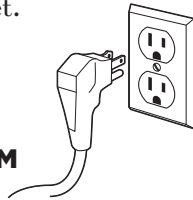
IMPORTANT—PLEASE READ CAREFULLY FOR PERSONAL SAFETY, THIS APPLIANCE MUST BE PROPERLY GROUNDED.

The power supply cord of this appliance is equipped with a three-prong (grounding) plug which mates with a standard three-prong (grounding) wall receptacle to minimize the possibility of electric shock hazard from this appliance.

Have the wall outlet and circuit checked by a qualified electrician to make sure the outlet is properly grounded.

Where a standard 2-prong wall outlet is encountered, it is your personal responsibility and obligation to have it replaced with a properly grounded 3-prong wall outlet.

DO NOT, UNDER ANY CIRCUMSTANCES, CUT OR REMOVE THE THIRD (GROUND) PRONG FROM THE POWER CORD.



DO NOT USE AN ADAPTER PLUG TO CONNECT THE REFRIGERATOR TO A 2-PRONG OUTLET.

DO NOT USE AN EXTENSION CORD WITH THIS APPLIANCE.



For answers to your Monogram, GE Café™ Series, GE Profile™ Series or GE Appliances product questions, visit our website at geappliances.com or call GE Answer Center® Service, 800.626.2000.

SIDE PANELS

Side panels (not supplied) must be used whenever the sides of the refrigerator will be exposed. The 1/4" side panels will slip into the side case trim. Order side panels from your cabinet manufacturer.

*Depending on installation height.

FLOORING

For proper installation, this refrigerator must be placed on a level surface of hard material that is at the same height as the rest of the flooring. This surface should be strong enough to support a fully loaded refrigerator, or approximately 1500 lbs.

NOTE: Protect the finish of the flooring. Cut a large section of the cardboard carton and place under the refrigerator where you are working.

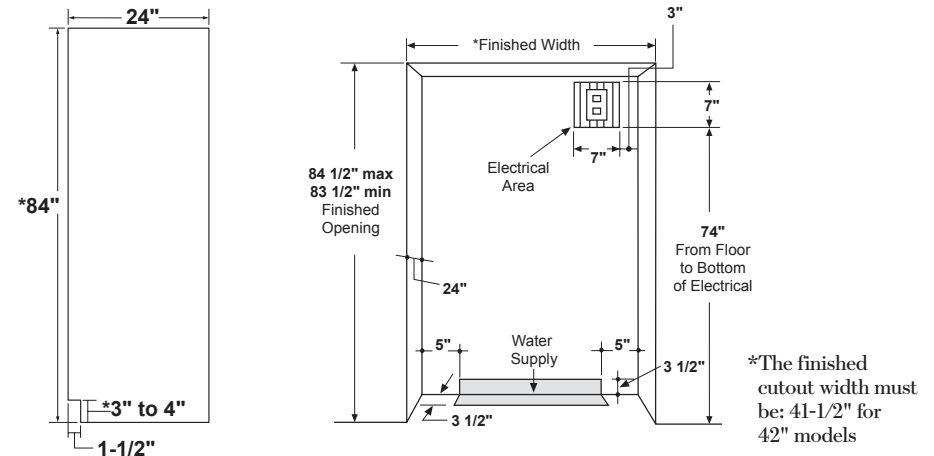
WATER AND ELECTRICAL LOCATIONS

The opening must be prepared with the electrical and water supply located as shown.

THE CUTOUT DEPTH MUST BE 24"

The refrigerator will project forward, slightly beyond adjacent cabinets, depending on your installation.

THE INSTALLATION SPACE



ADDITIONAL SPECIFICATIONS

A 120 volt, 60Hz, 15 or 20 amp power supply is required. An individual properly grounded branch circuit or circuit breaker is recommended. Install a properly grounded 3-prong electrical receptacle recessed into the back wall. Electrical must be located on rear wall as shown.

NOTE: GFI (ground fault interrupter) is not recommended.

Water line can enter the opening through the floor or rear wall. The water line installed should be 1/4" O.D. copper tubing or GE SmartConnect™ tubing between the cold water line and water connection location. The line should be long enough to extend to the front of the refrigerator. Installation of an easily accessible shutoff valve in the water line is required.



Total volume and shelf area are calculated by the Association of Home Appliance Manufacturers' standards.



Listed by Underwriters Laboratories



Specification Revised 3/16

PSB42YSK

GE Profile™ Series 42" Built-In Side-By-Side Refrigerator with Dispenser

FEATURES AND BENEFITS

42" built-in configuration

LED Lighting – Illuminates the fresh food compartment, vegetable drawer and climate-controlled drawers to spotlight food without compromising space

Advanced temperature management system – A multi-shelf air tower keeps foods fresh by evenly distributing air through the refrigerator

External controls with actual temperature display, child lock and door alarm – Eliminate the guesswork in setting refrigerator temperatures; conveniently displayed on the dispenser

Advanced water filtration uses MWF replacement filter – Removes trace pharmaceuticals from water and ice* and uses replacement filter MWF (*Removes ibuprofen, atenolol, fluoxetine, progesterone and trimethoprim. These pharmaceuticals are not necessarily in all users' water)

Humidity-controlled drawers – Help preserve fruits, cheeses and vegetables

Adjustable spillproof glass shelves – Raised edges help contain spills to make clean up quick and easy

Large door bins – Offer ideal space for storing large containers in the door, freeing up valuable shelf space

Model PSB42YSKSS – Stainless steel

