

GFW480SPK/SSK

GE Appliances ENERGY STAR® 4.9 DOE cu. ft. capacity

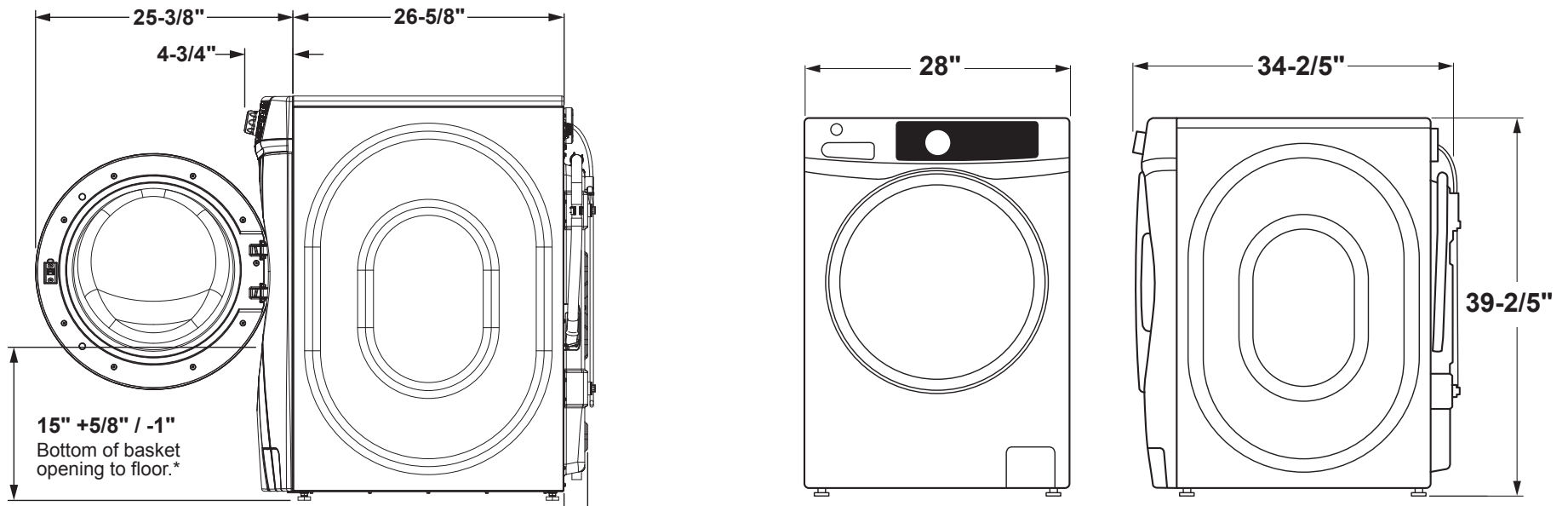
Front Load Washer with steam

DIMENSIONS AND INSTALLATION INFORMATION (IN INCHES)

ELECTRIC RATING

120V	12.0A, 60Hz
------	-------------

INSTALLATION INFORMATION: For complete information, see installation instructions packed with your washer.



For answers to your Monogram, GE Café™ Series, GE Profile™ Series or GE Appliances product questions, visit our website at geappliances.com or call GE Answer Center® Service, 800.626.2000.



Specification Revised 11/16

GEFW480SPK/SSK

GE Appliances ENERGY STAR® 4.9 DOE cu. ft. capacity

Front Load Washer with steam

SPECIAL INSTALLATION REQUIREMENTS:

STACKED INSTALLATION:

-Brackets for stacking dryer over washer are not included with the washer.
Order part no. GEFLSTACK or part no. WE25X10018.

ALCOVE OR CLOSET INSTALLATION:

-If your dryer is approved for installation in an alcove or closet, it will be stated on a label on the dryer back.

-The dryer MUST be exhausted to the outside.

-Minimum clearances between dryer cabinet and adjacent walls or other surfaces are: 0" either side, 3" front and rear

-Minimum vertical space from floor to overhead cabinets, ceilings, etc. is 52".

-Closet doors must be louvered or otherwise ventilated and must contain a minimum of 60 sq. in. of open area equally distributed. If this closet contains both a washer and a dryer, doors must contain a minimum of 120 sq. in. of open area equally distributed.

-No other fuel-burning appliance shall be installed in the same closet with a gas dryer.

BATHROOM OR BEDROOM INSTALLATION:

-The dryer MUST be exhausted to the outdoors.

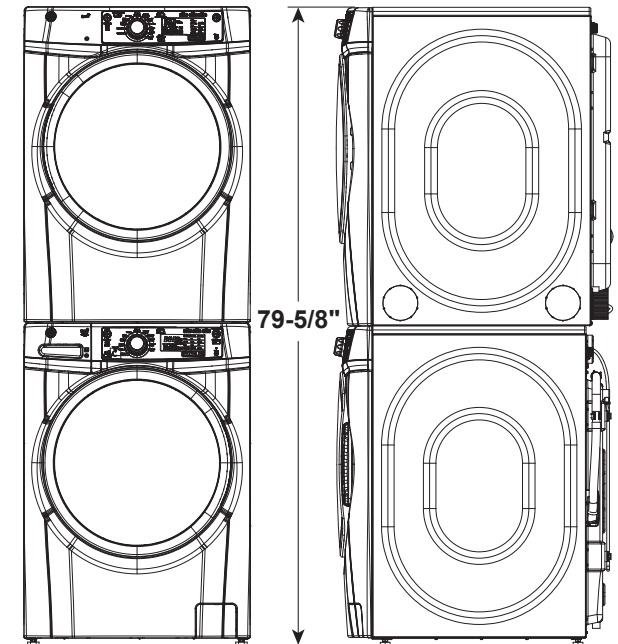
-The installation must conform with the local codes, or in the absence of local codes, with the National Electric Code and National Fuel Gas Code, ANSI Z223.

MINIMUM CLEARANCE OTHER THAN ALCOVE OR CLOSET INSTALLATIONS:

-Minimum clearances to combustible surfaces 0" both sides, 3" rear.

FOR MORE INFORMATION ON VENTING KITS AND ACCESSORIES, PLEASE CALL 1-800-GE-CARES.

STACKED DIMENSIONS (IN INCHES)



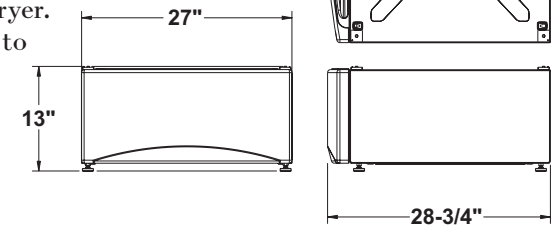
PEDESTAL DIMENSIONS (IN INCHES)

GFXP1308FWW - WHITE

GFXP1308FDG - DIAMOND GRAY

GFXP1308FRR - RUBY RED

This optional 13" pedestal raises the door opening and height of the washer or dryer. Feet on 13" pedestal allow it to adjust to 13-3/8" height.



For answers to your Monogram, GE Café™ Series, GE Profile™ Series or GE Appliances product questions, visit our website at geappliances.com or call GE Answer Center® Service, 800.626.2000.

GE Appliances ENERGY STAR® 4.9 DOE cu. ft. capacity Front Load Washer with steam

GE Appliances ENERGY STAR® 4.9 DOE cu. ft. capacity Front Load Washer with steam

FEATURES AND BENEFITS

Time Saver - When you need to get a full load of clothes clean in only 37 minutes

Steam Assist - Penetrates deep into fabric fibers, loosening stains like tomato and grass, yet protects your fabrics

Stain Removal Guide - Clean the most common stains with preprogrammed settings that modify any cycle to help remove stains like blood, tomato, wine, dirt, grass or coffee

Internal water heater - Increases wash temperature to reduce bacteria and provide better cleaning for the really tough stains

Sanitize cycle - Feel comfort knowing clothes are sanitized* and 99.9% of bacteria has been removed thanks to an internal water heater that boosts the water temperature*Certified by NSF Protocol P172 Sanitation Performance of Residential Clothes Washers

Precision Dispense - Great cleaning performance is enhanced with a dispenser that distributes fresh detergent multiple times throughout the wash

Allergen cycle - Remove up to 99% of pet dander and dust mite allergens* with this cleaning cycle that reaches 131°F *Meets NSF Protocol P351

Adaptive Vibration Control - Considers floor type and location of washer in the home to adapt and optimize spin patterns, reducing vibration and sound

eWash Cold Wash Technology - Energy-saving option uses a cold water wash on select cycles without sacrificing performance

LED washer basket light - Find every last sock with a bright LED light that effectively lights the wash basket

Bulky Items - Convenient cycle for comforters and pillows

Active wear wash cycle - Finding the right setting for workout clothes is no sweat thanks to a cycle designed specifically for cleaning performance fabrics

Model GFW480SSKWW - White

Model GFW480SPKDG - Diamond Gray

Model GFW480SPKRR - Ruby Red

