

PT9200SL

GE Profile™ Series 30 in. Built-In Twin Flex Convection Wall Oven

DIMENSIONS AND INSTALLATION INFORMATION (IN INCHES)

MOST 30" WALL CABINETS CAN BE USED WITH THIS UNIT.

APPROVED INSTALLATIONS: Above Warming Drawer, Below Built-in Microwave or Advantium®, Side-by-Side, Under Cooktop and Under Counter

NOTE: These ovens are not approved for stacking one single wall oven over another single wall oven. Cabinets installed adjacent to wall ovens must have an adhesion spec of at least a 194°F temperature rating.

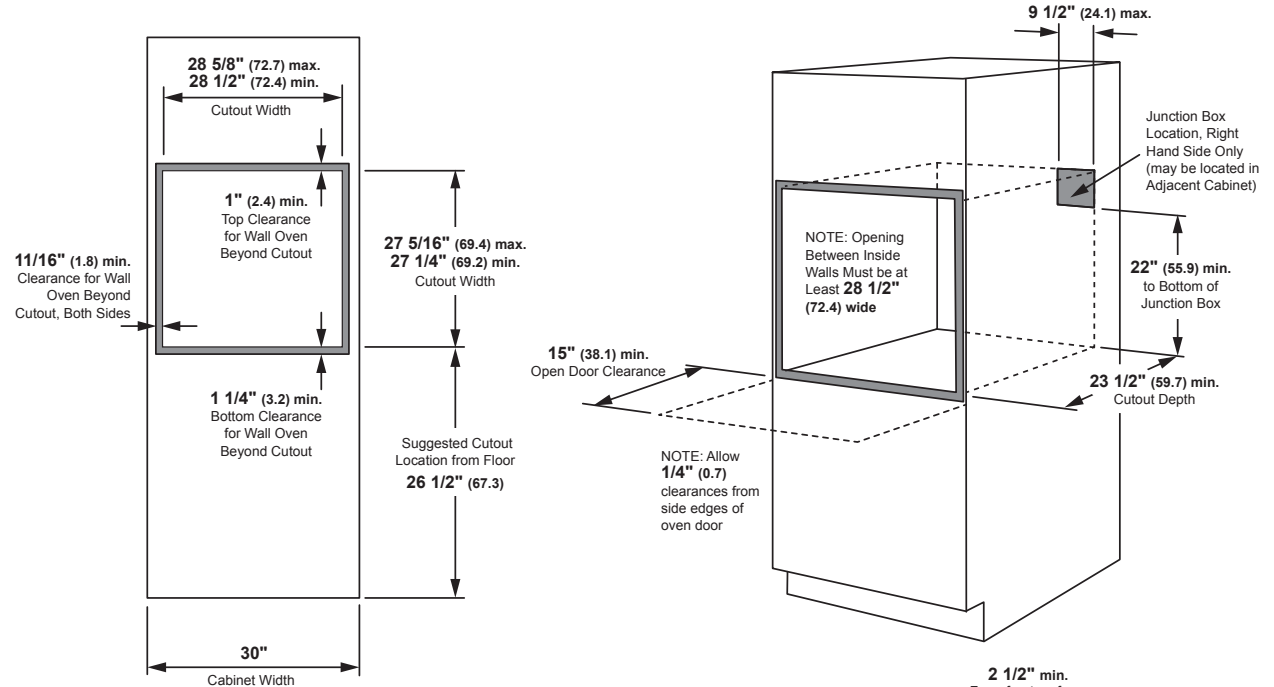
Door handle protrudes 3" from door face. Cabinets and drawers on adjacent 45° and 90° walls should be placed to avoid interference with the handle.

Side-by-side installations require at least 2" between cutouts.

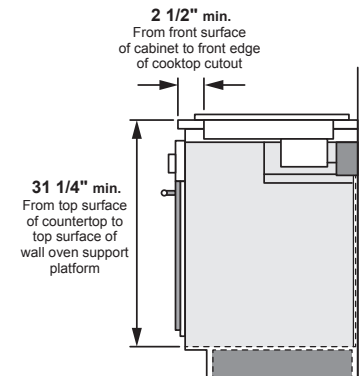
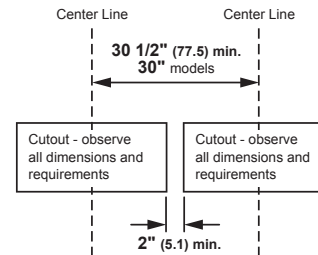
Only certain electric cooktops and no gas cooktops are approved for installation above this wall oven. See the Built-In Cooktop and Wall Oven Combination matrix available at geappliances.com, and read the label attached to the top of the oven for approved cooktop models.

IMPORTANT: Electric wall ovens are not approved for installation with a plug and receptacle. They must be hard wired in accordance with installation instructions.

IMPORTANT: Before installing, consult installation instructions packed with product for current dimensional data.



KW RATING	
240V	4.0
208V	3.0
BREAKER SIZE	
240V	20 Amps
208V	20 Amps



For answers to your Monogram, GE Café™ Series, GE Profile™ Series or GE Appliances product questions, visit our website at geappliances.com or call GE Answer Center® Service, 800.626.2000.



Listed by Underwriters Laboratories



PT9200SL

GE Profile™ Series 30 in. Built-In Twin Flex Convection Wall Oven

FEATURES AND BENEFITS

True European Convection with Precise Air (lower oven) - Enjoy golden brown, perfectly even results with a third heating element and a reversing fan that provides enhanced heat and air circulation

5.0 cu. ft. total oven capacity (2.8 lower; 2.2 upper) - Cook sides or desserts in the upper oven while roasting a 22-lb. turkey in the lower oven

Flexible and versatile cooking options - Prepare two different foods at two different temperatures at the exact same time

Rapid Preheat - The upper oven preheats twice as fast as standard GE models, so everyday meals are ready in less time

Slow cook - Create fall-off-the-bone short ribs while you're at work

Pizza mode - Get a perfectly crisp pizza crust without burning your toppings

Self-clean oven - Cleans the oven cavity without the need for scrubbing

Glass touch controls - Set temperatures easily and quickly wipe away fingerprints with this smooth control pad

Self-clean, heavy-duty roller rack - Easily access everything from a heavy roast to a delicate dessert thanks to durable racks that glide smoothly on ball bearings and stand up to the heat of self-clean

Model PT9200SLSS – Stainless steel

GUARANTEED FIT

Replacing a similar wall oven from GE or another brand? GE wall ovens are guaranteed for an exact fit to make replacement easy

Visit geappliances.com for more info

