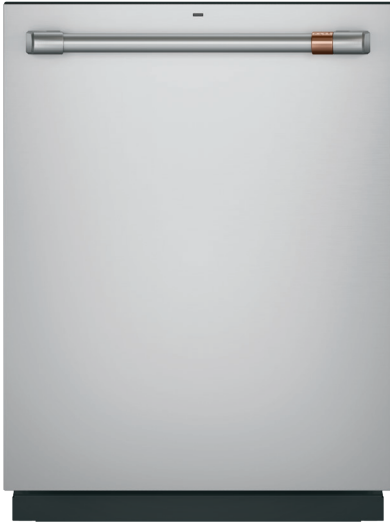


# Café™ Stainless Interior Built-In Dishwasher with Hidden Controls

C A F É

CDT800P2NS1



CDT800P2NS1  
Stainless Steel with Brushed  
Stainless handle



## FEATURES & BENEFITS

**Ultra Dry** – Spend more time with family or guests and less time hand-drying dishes, thanks to a comprehensive Ultra Dry system that targets hard-to-dry items like plastic storage containers.

**Loading Flexibility** – Vases, canisters and bottles are always clean and ready for your tablespace thanks to the targeted washing power of Bottle Jets

**Adjustable Upper Racks** – You'll have room for your finest stemware and space for tall bakeware with a rack that can be moved two inches up or down, creating ultimate loading flexibility

**Wash Zones** – Save time and use less water when you don't have a full dish load with a fully customizable cycle that lets you wash a true half load in the upper or lower rack

**Steam + Sani** – Eliminate the need to pre-wash dishes at the end of every meal, thanks to a Steam + Sani feature that easily loosens lingering traces of food with an added bonus of complete sanitization.

**Active Flood Protect** – An internal sensor prevents the dishwasher from overflowing, so you have peace of mind with every cycle

Create a look that matches your personal style – Select any combination of hardware options to create a stunning look customized to any owner's taste

## APPEARANCE

Door Style	Long Door with Top Controls
Installation	Built-Up Floor Capable; Flush Cabinet Installation; Side Installation or Top Installation Included
Door Appearance	Full-length flat door

## FEATURES

Style	Built-In
Tub and Door Liner	Stainless Steel
Tub Type	Tall Tub
Control Type	Top Controls; 12 Touchpads; Cap Touch Controls
Dishwasher Control Features	Cycle Countdown with Bi-Color LED; Status Light on door 1 "Clean" Light, 1 "Sanitized" Light, 1 "Low Rinse Aid" Light; Last Cycle Memory; Audible End-of-Cycle Signal
Wash System	3-Level; 800 Series
Wash System Features	Dual Pumps and Motors; Automatic Temperature Control; Drain Pump; Piranha™ Hard Food Disposer with removable filter; Automatic HotStart; Bottle Jets (4)
Sensor	Clean Sensor
Wash Arms	3 Wash Levels; Bottle Jets; Lower; Middle; Upper
Water Filtration System	100% Filtration with Hard Food Disposer and Removable Filter
Dispenser	Rinse Aid with Indicator and Adjustment
Number of Cycles	5
Dishwasher Cycles	Auto; China; Express; Normal; Pots
Number of Options	12
Dishwasher Options	Bottle Jets; Delay Start 1-12 Hr.; Heated Dry Off; Normal Dry Ultra Dry; Hi-Temp Wash; Lock Controls; Presoak + Sanitize; Start/Reset; Wash Zone Lower Only; Wash Zone Upper Only;
Rack Features	Ball-Tipped Tines; Manual Adjustable Upper Rack; 3 Piece Silverware Basket with Cell Covers
Racking Material	Nylon
Rack Color	Black Pearl
Number of Place Settings	Up to 16
Upper Rack	Manual Adjustable Upper Rack; Ball-Tipped Tines 1/2 fixed tines, 1/2 fold down tines
Lower Rack	Ball-Tip Tines; 1/2 fixed tines, 1/2 fold down tines
Additional Protection	Active Flood Protection
Dishwasher Drying Features	Fan Assist Dry; Heated Dry - Ultra/Normal/Off; Multi-Wattage Wash & Dry Element
Leveling System	4 Leveling Legs
Latch	Pull with Handle
Showroom Power Mode	Yes
WiFi Connect	Optional (Requires part no. PBX23W00Y0)
Exterior Style	Traditional

## ECONOMICAL/QUIET

Quiet Package	48 dBA
Quiet Features	Quiet Water Valve; Sealed Toe Kick; Tub Collar Trim
Motor Type	Single Speed
Outer Wrap	Bitumen; Full-wrap Blanket
Door Insulation	Insulation; Mastic

## WEIGHTS & DIMENSIONS

Cabinet Width	24
Approximate Shipping Weight	118
Net Weight	105
Overall Height	34
Height w/ Legs Retracted - Minimum Height	33-3/8
Height w/Legs Extended - Maximum Height	34-5/8
Overall Depth	24
Overall Width	23-3/4

# Café™ Stainless Interior Built-In Dishwasher with Hidden Controls



CDT800P2NS1

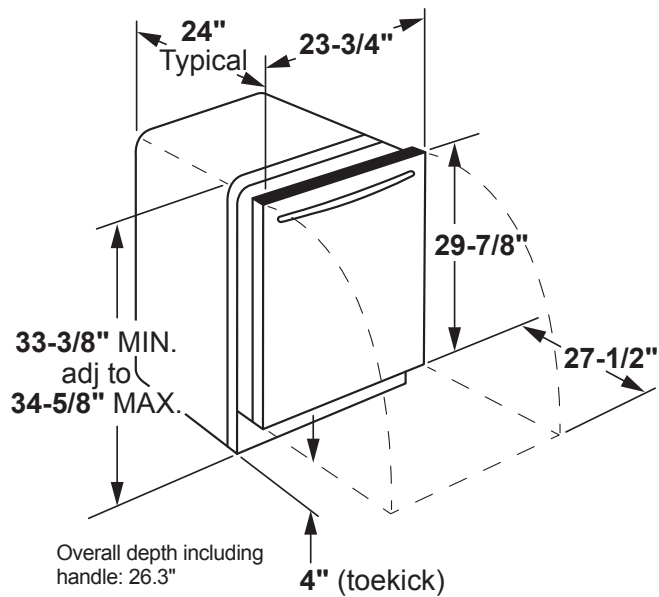
## TECHNICAL DETAILS

Calrod Heater Watts	800/500
Power Connection	Optional cord kit (GPF-CORD - WX09X70910, WX09X70911)
Volts/Hertz/Amps	120v; 60Hz; 7.2A

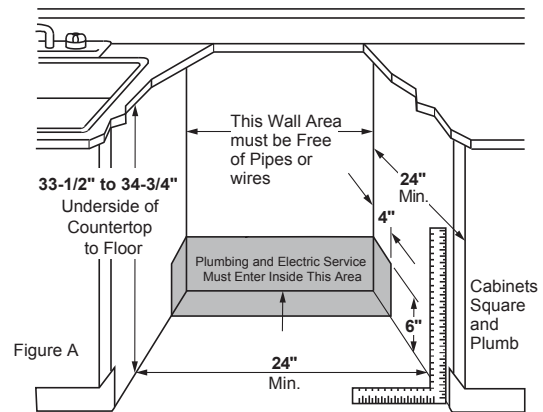
## WARRANTY

Parts warranty	Limited 1-year entire appliance
Labor warranty	Limited 1-year entire appliance
Warranty notes	See written warranty for full details

## DIMENSIONS



## INSTALLATION DIMENSIONS



## ADDITIONAL ACCESSORIES



Brushed Bronze  
CXADTH1PMBZ



Brushed Stainless  
CXADTH1PMSS



Brushed Black  
CXADTH1PMBT



Brushed Copper  
CXADTH1PMCU