

Features

- Framed, 1/8" (3 mm) thick tempered glass door and 3/16" (5 mm) thick tempered glass in-line panel.
- Pivot bushings provide smooth, silent operation.
- Full-length magnetic door latch provides secure door closure.
- Threshold conveniently directs water back into shower.
- Full-length handle for easy operation.

Material

- Anodized aluminum prevents rusting or corrosion.
- Tempered glass ensures maximum safety and durability.

Installation

- Out-of-plumb adjustability allows for simpler installation.
- Can be installed to open to the left or right.

Components

Additional included component/s: Hardware kit.



Codes/Standards

ANSI Z97.1 (Tempered Glass)
CPSC 16CFR 1201

STERLING® Warranty - Bath and Shower Doors

See website for detailed warranty information.

Available Color/Finishes

Color tiles intended for reference only.

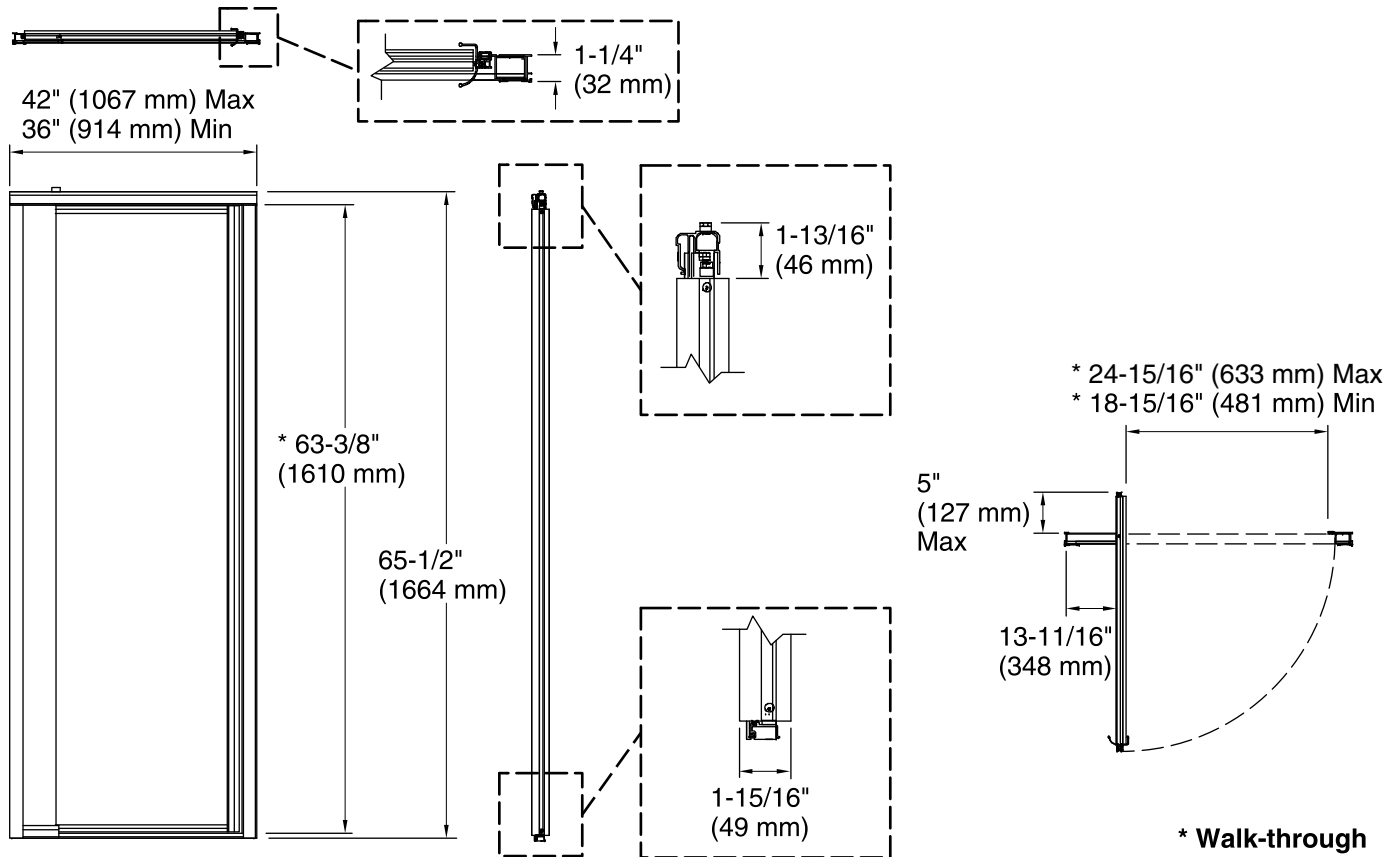
Color Code Description

	S	Silver
--	---	--------

Available Glass Options

Code Description

Pebbled



Technical Information

All product dimensions are nominal.
 Installation type: For shower base installation
 Opening Width - Min: 36" (914 mm)
 Opening Width - Max: 42" (1067 mm)
 Walk-through - Min: 18-15/16" (481 mm)
 Walk-through - Max: 24-15/16" (633 mm)
 Glass thickness: 1/8" (3 mm)

Notes

Install this product according to the installation guide.
 The vertical opening should be a minimum of 67" (1702 mm) to allow for installation clearance.