

**MASTERSHOWER® RITE-TEMP®**

**PRESSURE-BALANCING VALVE TRIM**

**K-T9492**

**ADA**

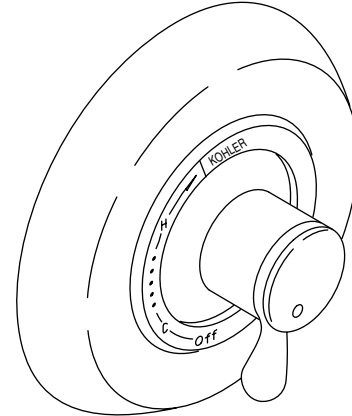
**Features**

- Metal construction
- Available with lever or round handle
- Includes faceplate
- Intended for use with Rite-Temp® or HiFlow Rite-Temp® valves

**Codes/Standards Applicable**

Specified model meets or exceeds the following:

- ADA
- ASME A112.18.1/CSA B125.1
- ICC/ANSI A117.1





**Colors/Finishes**

- CP: Polished Chrome
- PB: Vibrant® Polished Brass
- Other: Refer to Price Book for additional colors/finishes

**Accessories**

- CP: Polished Chrome
- Other: Refer to Price Book for additional colors/finishes
- NA: None applicable

**Specified Model**

Model	Description	ADA		ADA	
K-T9492-4	Valve only trim, lever handle	<input type="checkbox"/> CP	<input type="checkbox"/> PB	<input type="checkbox"/> Other_____	
K-T9492-7	Valve only trim, round handle			<input type="checkbox"/> CP	<input type="checkbox"/> PB <input type="checkbox"/> Other_____

**Required Accessories**

K-304-*	Rite-Temp valve <b>OR</b>	<input type="checkbox"/> NA
K-2971-KS	HiFlow Rite-Temp valve with stops	<input type="checkbox"/> NA

\* For a complete listing of all the Rite-Temp valves, refer to the K-304-\* Specification Sheet or Roughing-In Sheet.

**Product Specification**

The Rite-Temp® pressure-balancing single-control valve trim shall be made of metal construction. Valve trim shall include faceplate and lever or round handle. Valve trim shall be Kohler Model K-T9492-\_\_\_\_\_-\_\_\_\_\_- and valve shall be K-304-\_\_\_\_\_-NA Rite-Temp® valve **OR** K-2971-KS-NA HiFlow Rite-Temp® valve.

# MASTERSHOWER® RITE-TEMP®

Optional Accessories			
88013	Deep roughing-in kit for K-403-K volume control valve	<input type="checkbox"/> CP	<input type="checkbox"/> Other_____
88526	HiFlow Rite-Temp® thin wall installation kit	<input type="checkbox"/> CP	<input type="checkbox"/> Other_____
1007937	Deep roughing-in kit for Rite-Temp® valve	<input type="checkbox"/> CP	<input type="checkbox"/> Other_____

## Installation Notes

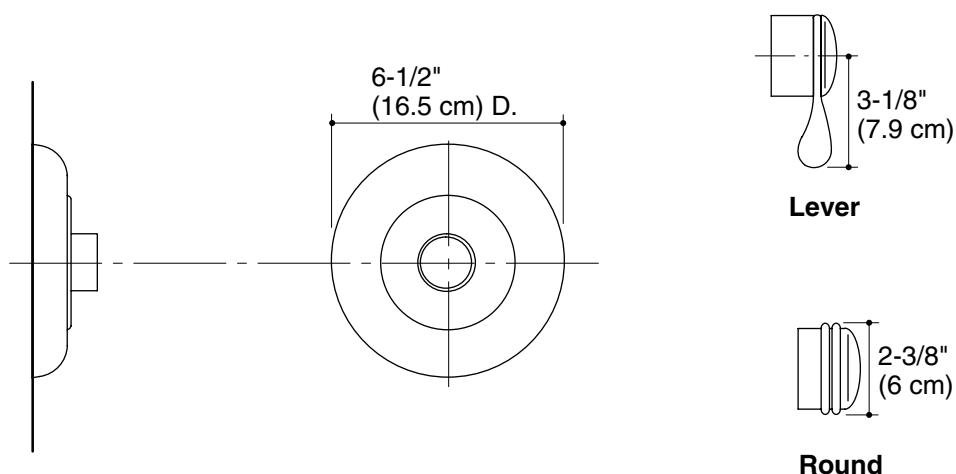
Install this product according to the installation guide.

**NOTICE: Risk of product damage.** Long screws, for installing trim, can damage the K-2971-KS valve. Consult the trim installation guide to verify if the thin wall installation kit (88526) is needed.

Avoid cross-flow conditions. Do not install shut-off device on either valve outlet.

Cap shower outlet if deck-mount spout, diverter, or handshower is connected to spout outlet.

Install straight pipe or tube drop of 7" (17.8 cm) to 18" (45.7 cm) with single elbow between valve and wall-mount spout.



## Product Diagram