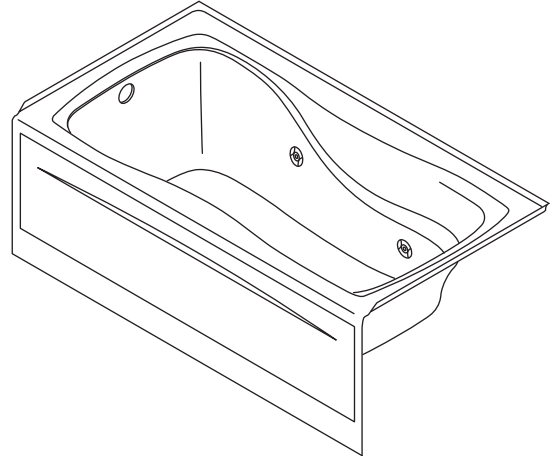


Features

- Acrylic
- Integral apron with removable access panel
- Pump with air switch and grounding-type plug-in cord
- 4 individually adjustable ProFlex® hydro-massage jets
- Textured bottom surface
- Optional K-9694 metal finish 4 jet trim kit
- Left or right drain
- 3-side integral tile flange for alcove installation
- 60" (1524 mm) x 32" (813 mm) x 20" (508 mm)

BATH WHIRLPOOL WITH INTEGRAL APRON

K-1209-LA
ALSO K-1209-RA



Codes/Standards Applicable

Specified model meets or exceeds the following:

- UL 1795
- ASME A112.19.7
- ASTM E162
- ASTM E662
- CSA B45.5/IAPMO Z124

Colors/Finishes

- 0: White
- Other: Refer to Price Book for additional colors/finishes

Accessories

- CP: Polished Chrome
- PB: Vibrant® Polished Brass
- Other: Refer to Price Book for additional colors/finishes

Specified Model

Model	Description	Colors/Finishes	
K-1209-LA	Bath whirlpool with integral apron – left drain (shown)	<input type="checkbox"/> 0	<input type="checkbox"/> Other _____
K-1209-RA	Bath whirlpool with integral apron – right drain	<input type="checkbox"/> 0	<input type="checkbox"/> Other _____

Recommended Accessories

K-7161-AF	Adjustable pop-up drain	<input type="checkbox"/> CP	<input type="checkbox"/> PB	<input type="checkbox"/> Other _____
-----------	-------------------------	-----------------------------	-----------------------------	--------------------------------------

Optional Accessories

K-9694	Jet trim kit – metal finishes	<input type="checkbox"/> CP	<input type="checkbox"/> PB	<input type="checkbox"/> Other _____
--------	-------------------------------	-----------------------------	-----------------------------	--------------------------------------

Product Specification

The acrylic bath whirlpool shall be 60" (1524 mm) in length, 32" (813 mm) in width, and 20" (508 mm) in height. Product shall have an integral apron with removable access panel and a textured bottom surface. Product shall feature a 3-side integral flange for alcove installation. Product shall have 4 individually adjustable ProFlex whirlpool jets, a pump with air switch and grounding-type plug-in cord. Product shall have a left or right drain. Product shall have an optional K-9694 trim kit. Bath whirlpool shall be Kohler Model K-1209-____-____.

HOURGLASS® 32

Technical Information

Fixture*:			
Basin area			
Basin area bottom	47" (1194 mm) x 20" (508 mm)		
Basin area top	53" (1346 mm) x 23" (584 mm)		
Weight	100 lbs (45.4 kg)		
To overflow			
Water depth	14-1/2" (368 mm)		
Capacity	64 gal (242.3 L)		
* Approximate measurements for comparison only.			
Pump:	V	Hz	A
1-speed	120	60	7.5

Required Electrical Service

Dedicated circuit required, protected with Class A Ground-Fault Circuit-Interrupter (GFCI):	
Pump/control	120 V, 15 A, 60 Hz
Locate the outlet behind the whirlpool and within 24" (610 mm) of the pump.	

Installation Notes

Install this product according to the installation guide.

Floor support under this product must provide for a minimum of 48 lbs/square foot (234 kg/square meter) loading.

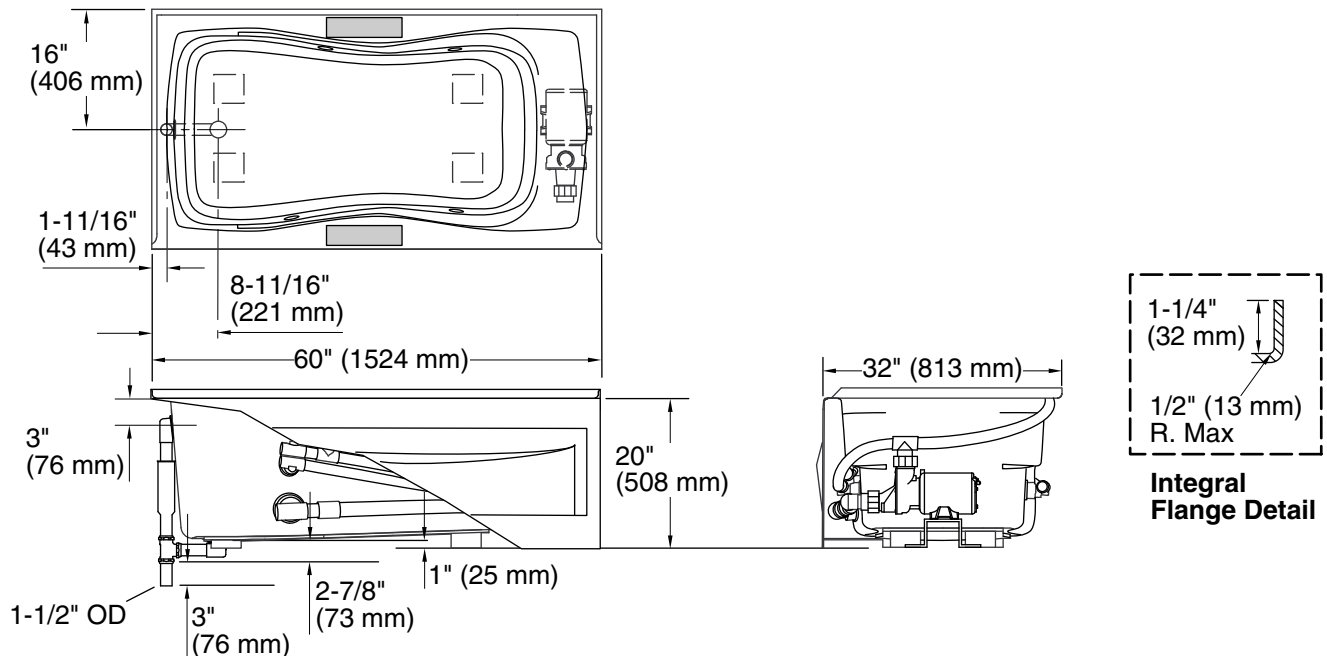
The hot water supply should be 70% of the capacity of the bath or greater. Installations will vary.

Rim-mount faucet installations: Before drilling the mounting holes, ensure the faucet does not interfere with the drain overflow and circulating system.

Deck-mount spout installations: Consult local and national codes for minimum air gap requirements.

No change in measurements if connected with drain illustrated. (K-7161-AF or K-7161M-AF)

■ Recommended Faucet Area



Product Diagram