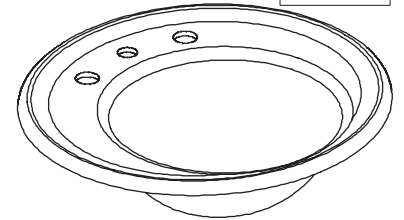


WALL-MOUNT LAVATORY K-2822

ADA



Features

- Cast iron with exterior painted in a neutral color
- Integral and concealed wall-mount bracket
- 8" (20.3 cm) centers, 4" (10.2 cm) centers or single-hole drilling
- 24" (61 cm) x 23" (58.4 cm) x 7-7/16" (18.9 cm)

Codes/Standards Applicable

Specified model meets or exceeds the following:

- ADA
- ASME A112.19.1/CSA B45.2
- ICC/ANSI A117.1

Colors/Finishes

- 0: White
- 47: Almond
- 96: Biscuit
- Other: Refer to Price Book for additional colors/finishes

Accessories

- CP: Polished Chrome
- F2: Black Forest
- NA: None applicable

Specified Model

Model	Centerset/Exterior Paint			Description	Colors/Finishes	
K-2822-	<input type="checkbox"/> 8A	<input type="checkbox"/> 4A	<input type="checkbox"/> 1A	8" (20.3 cm) centers, 4" (10.2 cm) centers, or single-hole with Almond exterior	<input type="checkbox"/> 47	
K-2822-	<input type="checkbox"/> 8B	<input type="checkbox"/> 4B	<input type="checkbox"/> 1B	8" (20.3 cm) centers, 4" (10.2 cm) centers, or single-hole with Biscuit exterior	<input type="checkbox"/> 96	
K-2822-	<input type="checkbox"/> 8S	<input type="checkbox"/> 4S	<input type="checkbox"/> 1S	8" (20.3 cm) centers, 4" (10.2 cm) centers, or single-hole with Sandbar exterior	<input type="checkbox"/> 0	<input type="checkbox"/> Other_____
K-2822-	<input type="checkbox"/> 8W	<input type="checkbox"/> 4W	<input type="checkbox"/> 1W	8" (20.3 cm) centers, 4" (10.2 cm) centers, or single-hole with White exterior	<input type="checkbox"/> 0	<input type="checkbox"/> Other_____

Required Accessories			
K-7702	Drain (non ADA applications)	<input type="checkbox"/> CP	<input type="checkbox"/> Other_____
K-9018	P-Trap (ADA applications)	<input type="checkbox"/> CP	<input type="checkbox"/> Other_____
K-7131-A	Offset drain (ADA applications)	<input type="checkbox"/> CP	<input type="checkbox"/> Other_____
1019171	Drain spacer gasket kit (ADA applications)	<input type="checkbox"/> CP	

Recommended Accessories table is on page 2.

Product Specification

The lavatory shall be made of cast iron with exterior painted in a neutral color. Lavatory shall have integral and concealed wall-mount bracket, with 8" (20.3 cm) centers, 4" (10.2 cm) centers, or single-hole drilling. Lavatory shall be 24" (61 cm) in length, and 23" (58.4 cm) in width, and 7-7/16" (18.9 cm) in height. Lavatory shall be Kohler Model K-2822-_____-_____.

IRON WORKS®

Recommended Accessories

K-2823-P	Iron Works Historic™ Pedestal (not ADA compliant)		<input type="checkbox"/> NA
K-3116	Iron Works Tellieur™ Table (not ADA compliant)	<input type="checkbox"/> F2	

Technical Information

Fixture*:	
Basin area	15-3/8" (39.1 cm) x 15-3/8" (39.1 cm)
Water depth	6" (15.2 cm)
Drain hole	1-3/4" (4.4 cm) D.
* Approximate measurements for comparison only.	

Holes	K-2822-8	K-2822-4	K-2822-1
Spout	1-1/8" (2.9 cm) D.	1-1/8" (2.9 cm) D.	1-3/8" (3.5 cm) D.
Faucet	1-3/8" (3.5 cm) D.	1-3/16" (3 cm) D.	NA

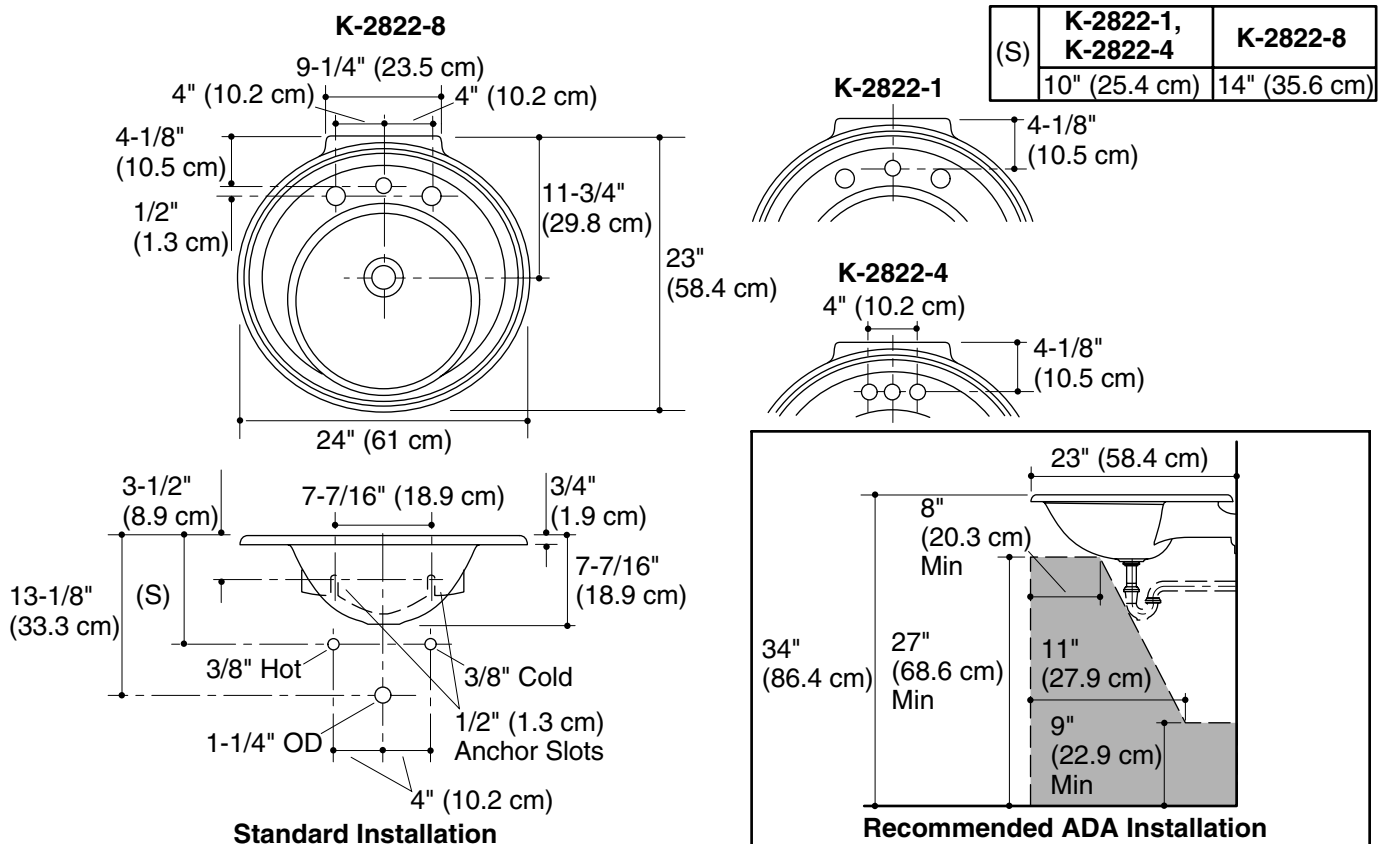
Included components:	
Accessory pack	1003890

Installation Notes

Install this product according to the installation guide.
Will comply with **ADA** when installed per Section 606 Lavatories of the Act.



WARNING: Risk of injury or product damage.
This cast iron lavatory is very heavy. Install only to a reinforced stud structure constructed according to the installation instructions.



Product Diagram