

BATH FAUCET TRIM K-T469

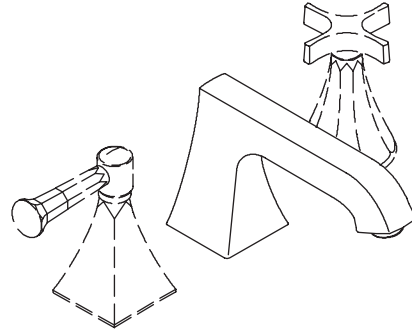
Features

- Brass construction
- Deck-mount
- Variety of handle style options
- 5" (12.7 cm) high-arch non-diverter spout with slip-fit connection

Codes/Standards Applicable

Specified model meets or exceeds the following:





- ASME A112.18.1/CSA B125.1
- CSA International
- IAPMO/UPC



Colors/Finishes

- CP: Polished Chrome
- PB: Vibrant® Polished Brass
- Other: Refer to Price Book for additional colors/finishes
- NA: None applicable

Specified Model

Model	Description		
K-T469-3C	With classic cross handles	<input type="checkbox"/> CP <input type="checkbox"/> Other_____	
K-T469-4C	With classic lever handles		<input type="checkbox"/> CP <input type="checkbox"/> Other_____
Model	Description		
K-T469-3S	With stately cross handles	<input type="checkbox"/> CP <input type="checkbox"/> Other_____	
K-T469-4S	With stately faceted lever handles		<input type="checkbox"/> CP <input type="checkbox"/> Other_____
K-T469-4V	With classic lever handles		<input type="checkbox"/> CP <input type="checkbox"/> Other_____

Product Specification

Two-handle deck-mount high-flow bath faucet trim shall be of brass construction. Product shall include 5" (12.7 cm) high-arch non-diverter spout with slip-fit connection, and a variety of handle style options. Bath faucet trim shall be Kohler Model K-T469-_____-_____- and valve system shall be Kohler Model K-_____-_____-NA.

MEMOIRS®

Required Accessories

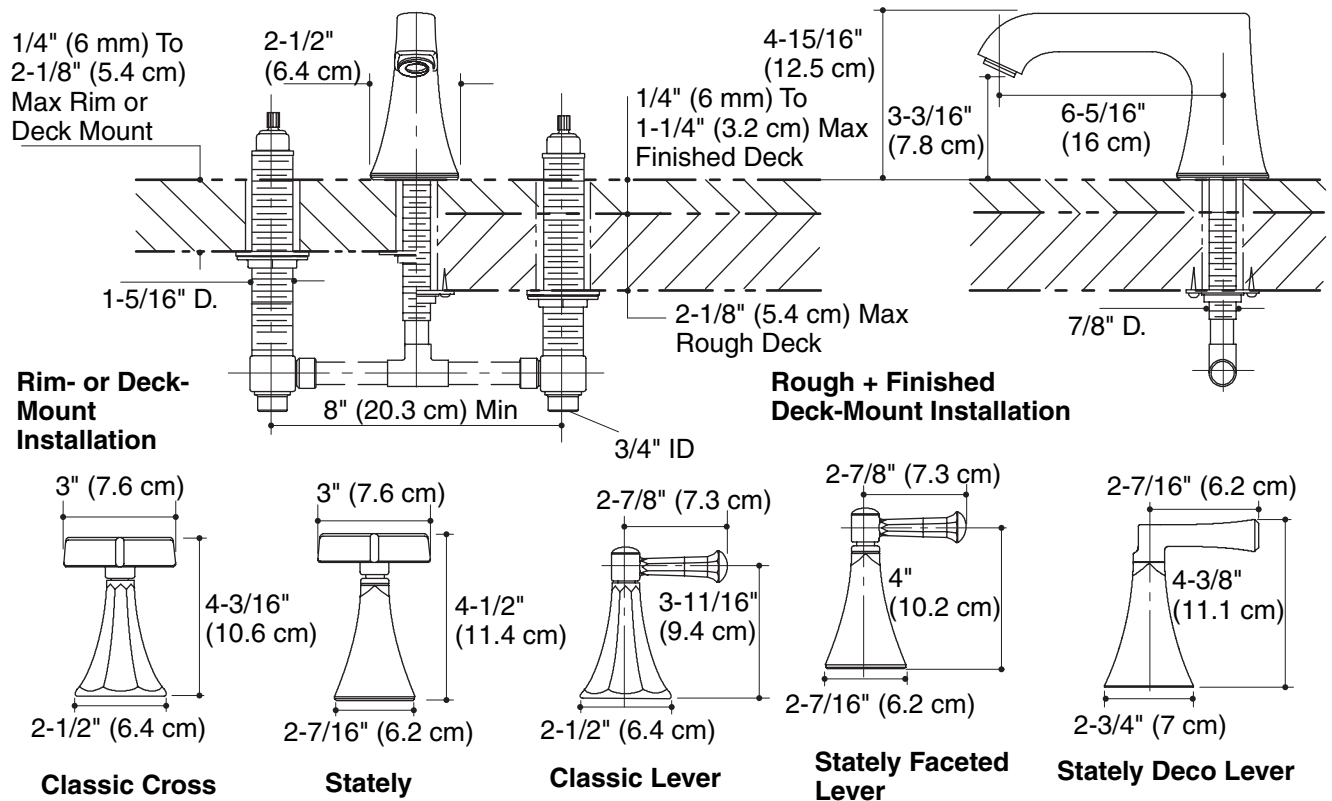
K-300-K	1/2" high-flow ceramic disc valve system OR	<input type="checkbox"/> NA
K-300-KR	1/2" high-flow ceramic disc valve system with rigid connections OR	<input type="checkbox"/> NA
K-301-K	3/4" high-flow ceramic disc valve system	<input type="checkbox"/> NA

Optional Accessories

58598	Deep roughing-in kit for high-flow deck-mount bath faucets (all handles)	<input type="checkbox"/> CP	<input type="checkbox"/> Other
73102	Deep roughing-in kit for high-flow deck-mount bath faucets (all handles)	<input type="checkbox"/> NA	

Installation Notes

Install this product according to the installation guide.



Product Diagram