

Features

- Vitreous china
- Undercounter
- With or without overflow
- Available with KOHLER Artist Editions designs
- Includes 52047 clamp assembly, unless specified
- 15" (381 mm) x 12" (305 mm)
- 17" (432 mm) x 14" (356 mm)
- 19" (483 mm) x 15" (381 mm)

UNDERCOUNTER LAVATORY K-2209 K-2210, K-2211

ADA

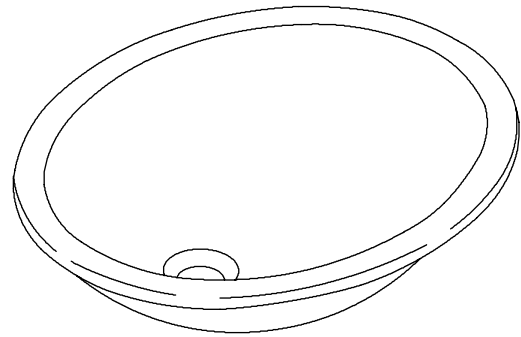
CSA B651

OBC

Codes/Standards Applicable

Specified model meets or exceeds the following:

- ADA
- ICC/ANSI A117.1
- CSA B651
- OBC
- ASME A112.19.2/CSA B45.1



Colors/Finishes

- 0: White
- Other: Refer to Price Book for additional colors/finishes

Accessories

- CP: Polished Chrome
- Other: Refer to Price Book for additional colors/finishes

Specified Model

Model	Description	Colors/Finishes	
K-2209	Lavatory, 15" (381 mm) x 12" (305 mm), with overflow, with clamps	<input type="checkbox"/> 0	<input type="checkbox"/> Other_____
K-2210	Lavatory, 17" (432 mm) x 14" (356 mm), with overflow, with clamps	<input type="checkbox"/> 0	<input type="checkbox"/> Other_____
K-2210-G	Lavatory, 17" (432 mm) x 14" (356 mm), with glazed underside, without overflow, with clamps	<input type="checkbox"/> 0	<input type="checkbox"/> Other_____
K-2210-L	Lavatory, 17" (432 mm) x 14" (356 mm), with overflow, without clamps	<input type="checkbox"/> 0	<input type="checkbox"/> Other_____
K-2210-N	Lavatory, 17" (432 mm) x 14" (356 mm), without overflow, with clamps	<input type="checkbox"/> 0	<input type="checkbox"/> Other_____
K-2211	Lavatory, 19" (483 mm) x 15" (381 mm), with overflow, with clamps	<input type="checkbox"/> 0	<input type="checkbox"/> Other_____
K-2211-G	Lavatory, 19" (483 mm) x 15" (381 mm), with glazed underside, without overflow, with clamps	<input type="checkbox"/> 0	<input type="checkbox"/> Other_____
K-2211-L	Lavatory, 19" (483 mm) x 15" (381 mm), with overflow, without clamps	<input type="checkbox"/> 0	<input type="checkbox"/> Other_____

Product Specification:

The undercounter lavatory shall be made of vitreous china. Lavatory shall be available with or without overflow. Lavatory shall be 15" (381 mm) in length and 12" (305 mm) in width, 17" (432 mm) in length and 14" (356 mm) in width, or 19" (483 mm) in length and 15" (381 mm) in width. Lavatory shall include 52047 clamp assembly for all models except K-2210-L and K-2211-L. Lavatory shall be available with KOHLER Artist Editions designs. Lavatory shall be Kohler Model K-_____-____.

Technical Information

Recommended Accessories			
K-8998	P-Trap	<input type="checkbox"/> CP	<input type="checkbox"/> Other_____

Fixture*:	Basin area	Water depth
K-2209	15" (381 mm) x 12" (305 mm)	4" (102 mm)
K-2210/K-2210-L/ K-2210-N/K-2210-G	17" (432 mm) x 14" (356 mm)	4" (102 mm)
K-2211/K-2211-G/ K-2211-L	19" (483 mm) x 15" (381 mm)	4" (102 mm)
Drain hole	1-3/4" (44 mm) D.	
* Approximate measurements for comparison only.		

Included components:	
Basin clamp assembly (not included with K-2210-L and K-2211-L)	52047
Cut-out template, K-2209	85838-7
Cut-out template, K-2210	1151011-7
Cut-out template, K-2211	1018997-7

Installation Notes

Install this product according to the installation guide.

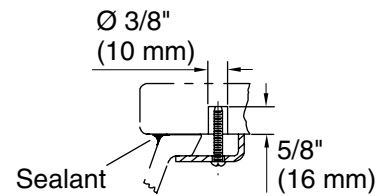
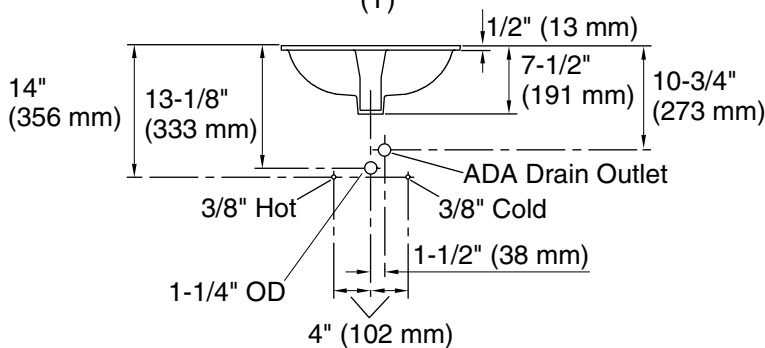
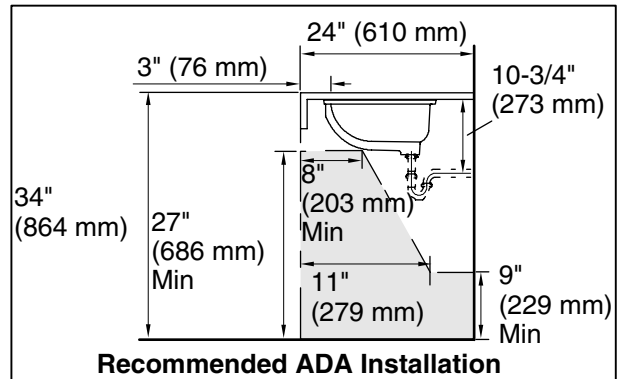
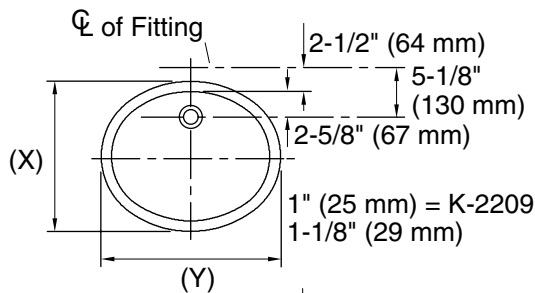
Supplied basin clamp assemblies require 1" (25 mm) minimum countertop thickness. Installer must supply anchors for thinner countertops.

Will comply with **ADA** when installed per Section 606 Lavatories of the Act.

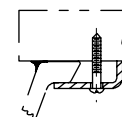
Will comply with **CSA B651** when installed per Clause 4.3.3 of the standard.

Will comply with **OBC** when installed per Clause 3.8.3.11.

K-2209: (X) = 14" (356 mm), (Y) = 17" (432 mm)
 K-2210: (X) = 16-1/4" (413 mm), (Y) = 19-1/4" (489 mm)
 K-2211: (X) = 17-1/4" (438 mm), (Y) = 21-1/4" (540 mm)



Marble Installation



Wood Installation

Standard Installation

Product Diagram