

**Features**

- Framed, 1/8" (3 mm) thick tempered glass door and 3/16" (5 mm) thick tempered glass in-line panel.
- Pivot bushings provide smooth, silent operation.
- Full-length magnetic door latch provides secure door closure.
- Threshold conveniently directs water back into shower.
- Full-length handle for easy operation.

**Material**

- Anodized aluminum prevents rusting or corrosion.
- Tempered glass ensures maximum safety and durability.

**Installation**

- Out-of-plumb adjustability allows for simpler installation.
- Can be installed to open to the left or right.

**Components**

Additional included component/s: Hardware kit.



**Codes/Standards**

ANSI Z97.1 (Tempered Glass)  
CPSC 16CFR 1201

**STERLING® Warranty - Bath and Shower Doors**

See website for detailed warranty information.

**Available Color/Finishes**

*Color tiles intended for reference only.*

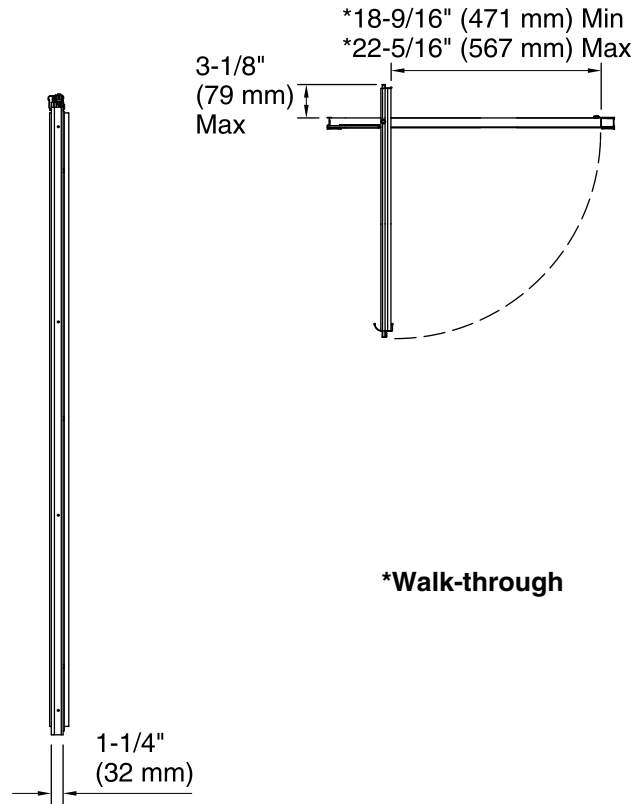
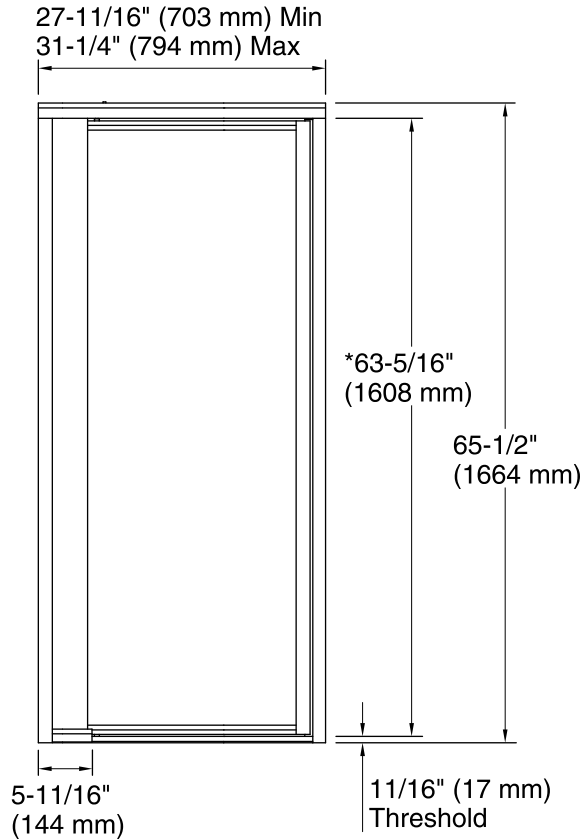
**Color Code Description**

	S	Silver
--	---	--------

**Available Glass Options**

**Code Description**

Ellipse



**Technical Information**

All product dimensions are nominal.

Installation type: For shower base installation

Opening Width - Min: 27-1/2" (699 mm)

Opening Width - Max: 31-1/4" (794 mm)

Walk-through - Min: 18-9/16" (472 mm)

Walk-through - Max: 22-5/16" (567 mm)

Glass thickness: 1/8" (3 mm)

**Notes**

Install this product according to the installation guide.

The vertical opening should be a minimum of 67" (1702 mm) to allow for installation clearance.