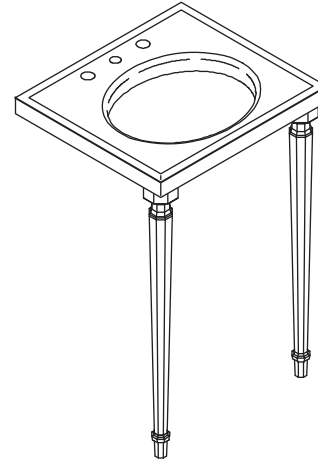


### Features

- Marble
- Pre-drilled for 8" (203 mm) widespread faucet
- Pre-cut for Caxton™ 17" (432 mm) x 14" (356 mm) under-mount bathroom sink (required)
- 24" (610 mm) x 22" (559 mm) x 33-3/4" (857 mm)

### MARBLE CONSOLE TABLE K-3023



### Codes/Standards Applicable

Specified model meets or exceeds the following:

- None applicable

### Colors/Finishes

- WH: White Carrara Marble
- NM: Nero Marquina Black Marble

### Accessories:

- CP: Polished Chrome
- 7: Black Black™
- Other: Refer to Price Book for additional colors/finishes

### Specified Model

| Model  | Description                  | Colors/Finishes             |                             |
|--------|------------------------------|-----------------------------|-----------------------------|
| K-3023 | Kathryn marble console table | <input type="checkbox"/> WH | <input type="checkbox"/> NM |

| Required Accessories |  |                             |                                      |
|----------------------|--|-----------------------------|--------------------------------------|
| K-9699               | 24" (610 mm) frame kit   | <input type="checkbox"/> NA |                                      |
| K-2210-G             | Caxton 17" (432 mm) x 14" (356 mm) under-mount bathroom sink with glazed underside | <input type="checkbox"/> 0  | <input type="checkbox"/> 7           |
| K-6839*              | Kathryn octagonal brass legs   | <input type="checkbox"/> CP | <input type="checkbox"/> Other _____ |
| K-2317-AF*           | Kathryn octagonal fireclay/French gold brass legs                                  | <input type="checkbox"/> 0  | <input type="checkbox"/> Other _____ |
| K-2317-BN*           | Kathryn octagonal fireclay/brushed nickel brass legs                               | <input type="checkbox"/> CP | <input type="checkbox"/> Other _____ |

\* Only one set of legs is required.

Required Accessories Continued on Page 2.

### Product Specification

The console table shall be 24" (610 mm) in length, 22" (559 mm) in width and 33-3/4" (857 mm) in height. Console table shall be made of marble. Console table shall be pre-cut for Caxton 17" (432 mm) x 14" (356 mm) under-mount bathroom sink. Console table shall be pre-drilled for 8" (203 mm) widespread faucet. Console table shall be Kohler Model K-3023-\_\_\_\_\_.

# KATHRYN®

## Required Accessories

|            |   |                             |                                      |
|------------|---|-----------------------------|--------------------------------------|
| K-2317-CP* | Kathryn octagonal fireclay/polished chrome brass legs | <input type="checkbox"/> CP | <input type="checkbox"/> Other _____ |
| K-2317-SN* | Kathryn octagonal fireclay/polished nickel brass legs | <input type="checkbox"/> CP | <input type="checkbox"/> Other _____ |
| K-2318*    | Kathryn square fireclay legs                          | <input type="checkbox"/> CP | <input type="checkbox"/> Other _____ |

\* Only one set of legs is required.

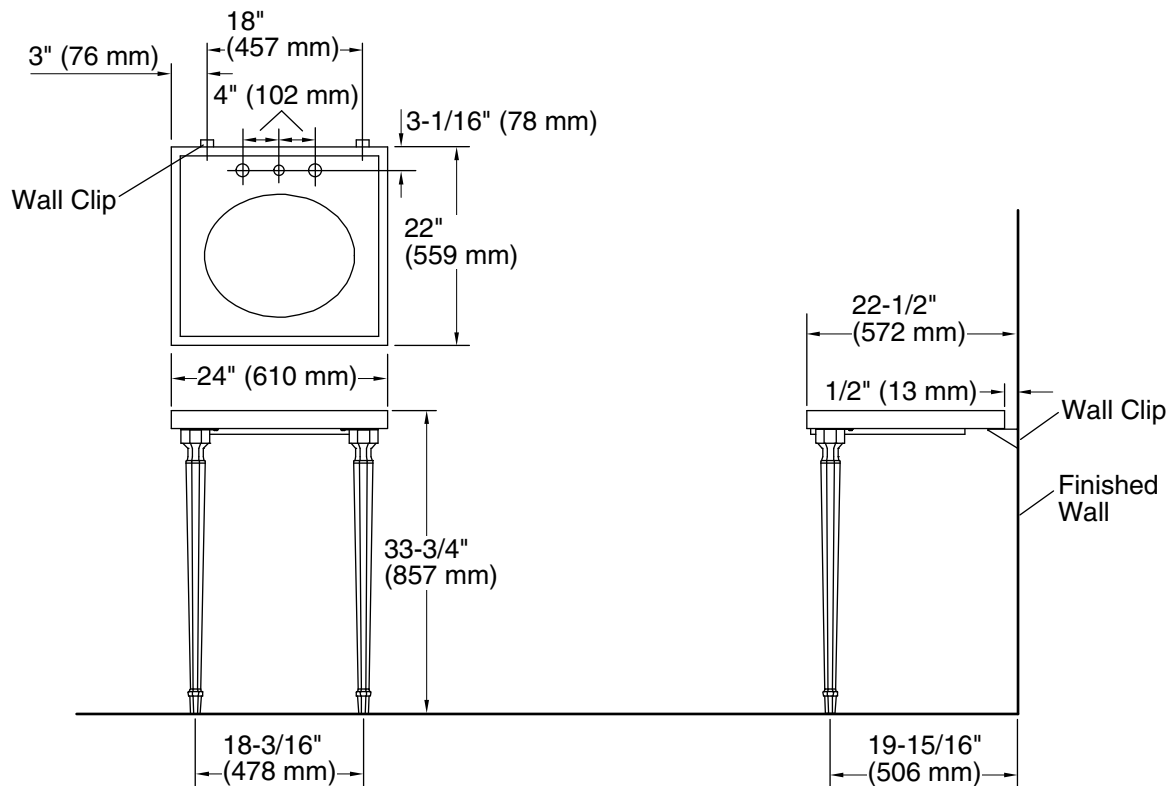
## Technical Information

|   |          |           |
|---|----------|-----------|
| Included Component:   |          |           |
| Kathryn console table   | K-3023   | shown     |
| Required Accessories:   |          |           |
| Kathryn 24" (610 mm) frame kit                                | K-9699   | shown     |
| Caxton™ 17" (432 mm) x 14" (356 mm) under-mount bathroom sink | K-2210-G | not shown |
| Kathryn octagonal brass legs                                  | K-6839*  | shown     |
| Kathryn octagonal fireclay/brass legs                         | K-2317*  | not shown |
| Kathryn square fireclay legs                                  | K-2318*  | not shown |

\* Only one set of legs is required.

## Installation Notes

Install this product according to the installation guide.



## Product Diagram