

**BATH FAUCET TRIM
K-T954-4**

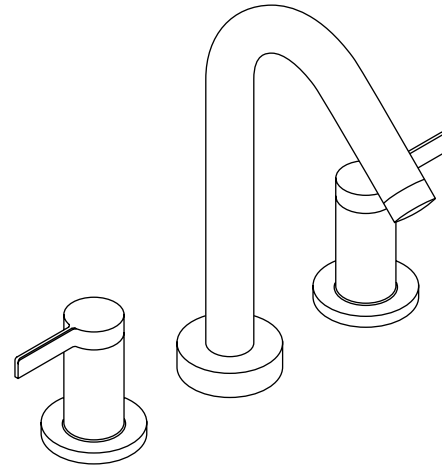
Features

- Brass construction
- Deck-mount
- Lever handles
- 6-7/8" (17.5 cm) high-arch non-diverter spout with slip-fit connection

Codes/Standards Applicable

Specified model meets or exceeds the following:

- ASME A112.18.1/CSA B125.1
- IAPMO/UPC



Colors/Finishes

- CP: Polished Chrome
- Other: Refer to Price Book for additional colors/finishes

Accessories

- CP: Polished Chrome
- Other: Refer to Price Book for additional colors/finishes
- NA: None applicable

Specified Model

Model	Description	Colors/Finishes	
K-T954-4	Bath faucet trim	<input type="checkbox"/> CP	<input type="checkbox"/> Other

Required Accessories		
K-300-K	1/2" high-flow ceramic disc valve system OR	<input type="checkbox"/> NA
K-300-KR	1/2" high-flow ceramic disc valve system with rigid connections OR	<input type="checkbox"/> NA
K-301-K	3/4" high-flow ceramic disc valve system	<input type="checkbox"/> NA

Optional Accessories			
58598	Deep roughing-in kit for high-flow deck-mount bath faucets (all handles)	<input type="checkbox"/> CP	<input type="checkbox"/> Other
73102	Deep roughing-in kit for high-flow deck-mount bath faucets (all handles)	<input type="checkbox"/> NA	

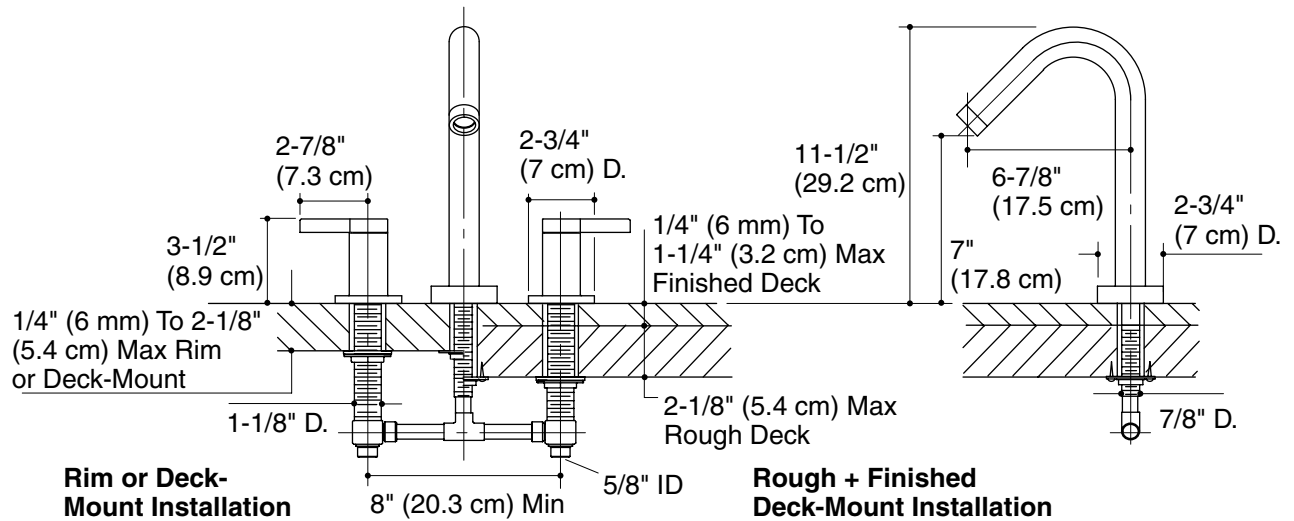
Product Specification

Two-handle deck-mount high-flow bath faucet trim shall be of brass construction. Product shall include 6-7/8" (17.5 cm) high-arch non-diverter spout with slip-fit connection, and lever handles. Trim shall be Kohler Model K-T954-4-_____. Valve system shall be Kohler Model K-_____-_____-NA

STILLNESS®

Installation Notes

Install this product according to the installation guide.



Product Diagram