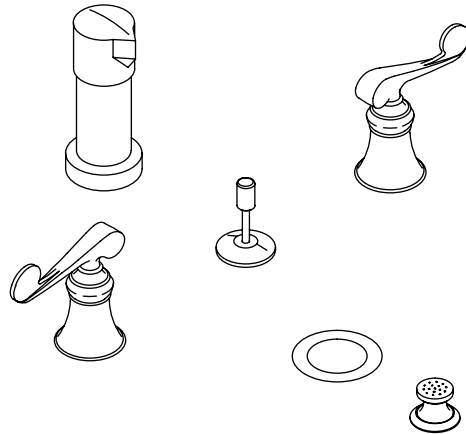


**BIDET FAUCET
K-16132**

Features

- Brass construction
- Flexible connections for easy installation
- Brass valve bodies
- Quarter-turn washerless ceramic disc valves
- Pop-up drain with lift rod and tailpiece
- Available with ADA compliant scroll or traditional lever handles
- Vertical spray
- Fixture-mount transfer valve/vacuum breaker



Codes/Standards Applicable



Specified model meets or exceeds the following:

- ASME A112.18.1/CSA B125.1
- ASSE 1001

Colors/Finishes

- CP: Polished Chrome
- PB: Vibrant® Polished Brass
- Other: Refer to Price Book for additional colors/finishes

Specified Model

Model	Description	ADA 			ADA 		
		<input type="checkbox"/> CP	<input type="checkbox"/> PB	<input type="checkbox"/> Other_____	<input type="checkbox"/> CP	<input type="checkbox"/> PB	<input type="checkbox"/> Other_____
K-16132-4	Bidet faucet with scroll handles	<input type="checkbox"/> CP	<input type="checkbox"/> PB	<input type="checkbox"/> Other_____			
K-16132-4A	Bidet faucet with traditional handles				<input type="checkbox"/> CP	<input type="checkbox"/> PB	<input type="checkbox"/> Other_____

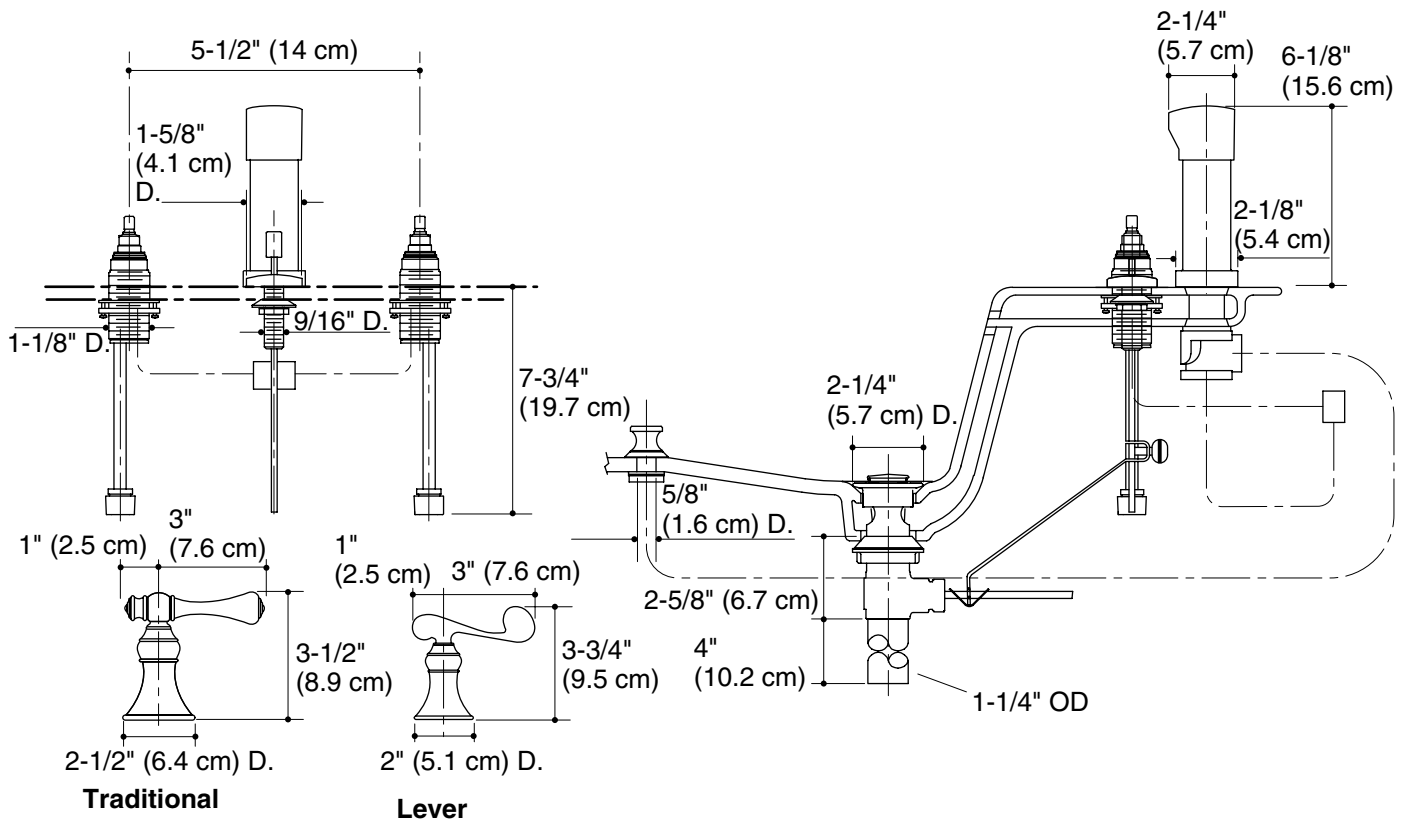
Product Specification

Two-handle fixture-mount bidet faucet shall be of brass construction. Faucet shall feature brass valve bodies. Faucet shall feature quarter-turn washerless ceramic disc valves. Product shall include flexible connections for easy installation, pop-up drain with lift rod and tailpiece, scroll or traditional handle(s), vertical spray, and fixture-mount transfer valve/vacuum breaker. Faucet shall be Kohler Model K-16132-_____-_____.

REVIVAL®

Installation Notes

Install this product according to the installation guide.



Product Diagram