

**BATH FAUCET TRIM
K-T16122**

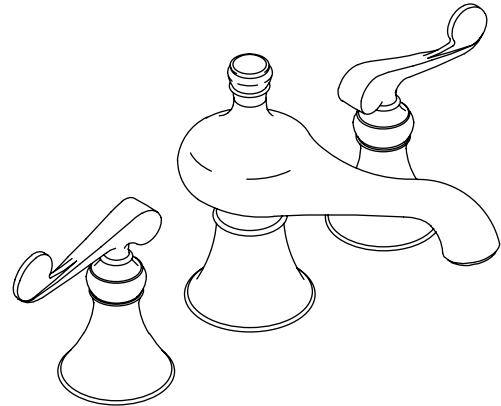
Features

- Brass construction
- Bath-mount
- 6-5/8" (16.8 cm) non-diverter spout with slip-fit connection
- Available with scroll or traditional lever handles

Codes/Standards Applicable

Specified model meets or exceeds the following:



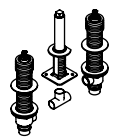
- ASME A112.18.1
- CSA B125
- IAPMO/UPC



Colors/Finishes

- CP: Polished Chrome
- PB: Vibrant® Polished Brass
- Other: Refer to Price Book for additional colors/finishes

Specified Model

Model	Description	ADA 			ADA 		
		<input type="checkbox"/> CP	<input type="checkbox"/> PB	<input type="checkbox"/> Other_____	<input type="checkbox"/> CP	<input type="checkbox"/> PB	<input type="checkbox"/> Other_____
K-T16122-4	Bath faucet trim with scroll handles	<input type="checkbox"/> CP	<input type="checkbox"/> PB	<input type="checkbox"/> Other_____			
K-T16122-4A	Bath faucet trim with traditional handles				<input type="checkbox"/> CP	<input type="checkbox"/> PB	<input type="checkbox"/> Other_____
Required Accessories							
K-300-K	1/2" ceramic high-flow valve system				<input type="checkbox"/> NA		

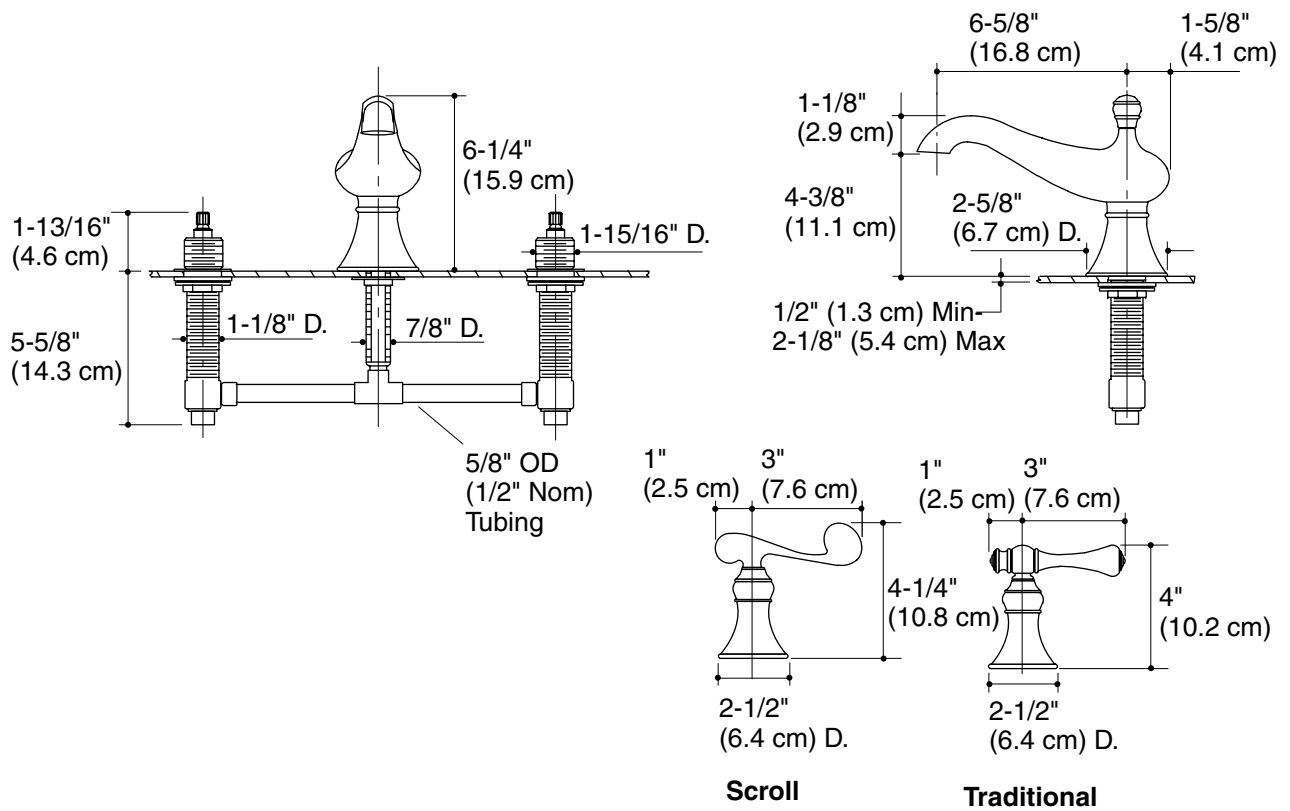
Product Specification

Two-handle bath-mount high-flow bath faucet trim shall be of brass construction. Product shall include 6-5/8" (16.8 cm) spout with slip-fit connection, and available with scroll or lever handles. Faucet trim shall be Kohler Model K-T16122-_____-_____- and valve system shall be K-300-K-NA.

REVIVAL®

Installation Notes

Install this product according to the installation guide.



Product Diagram