

STERLING®

A KOHLER COMPANY

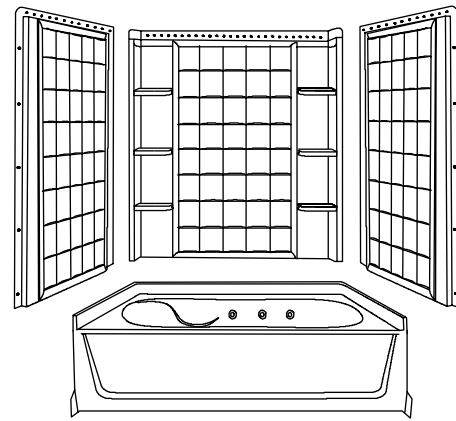
ENSEMBLE™

Features

- Compression molded from our exclusive solid Vikrell® material
- Tongue-and-groove 4-piece modular design allows for easy "snap together" installation
- Integral apron with removable access panel
- Durable high-gloss finish
- 6 Jets
- 10-year consumer/3-year commercial limited warranty
- Three-piece wall set with generous storage shelves
- Pump with air switch and grounding-type plug-in cord
- 16" (40.6 cm) bath whirlpool depth (floor to top of threshold)
- 60-1/4" (153 cm) x 37-1/2" (95.3 cm) x 73-1/4" (186.1 cm) complete unit rough-in dimensions include flange
- 60" (152.4 cm) x 36" (91.4 cm) x 72" (182.9 cm) complete unit finished dimensions

36" (91.4 cm) WHIRLPOOL BATH AND WALL SURROUND

76100110
ALSO 76100120



Codes/Standards Applicable

Specified model meets or exceeds the following:

- ASME A112.19.7M
- ANSI Z124.1.2
- HUD, UM Bulletin 73A
- ASTM E162
- ASTM E662
- UL 1795

Colors/Finishes

- 0: White
- Other: Refer to Price Book for additional colors/finishes

Specified Model

Model	Complete Unit Description	Colors/Finishes	
76100110	36" (91.4 cm) whirlpool bath and wall surround, left drain	<input type="checkbox"/> 0	<input type="checkbox"/> Other _____
76100120	36" (91.4 cm) whirlpool bath and wall surround, right drain	<input type="checkbox"/> 0	<input type="checkbox"/> Other _____

Model	Wall Component Description	Colors/Finishes	
71102100	Back wall	<input type="checkbox"/> 0	<input type="checkbox"/> Other _____
71103110	Left end wall	<input type="checkbox"/> 0	<input type="checkbox"/> Other _____
71103120	Right end wall	<input type="checkbox"/> 0	<input type="checkbox"/> Other _____
71104100	Complete wall set	<input type="checkbox"/> 0	<input type="checkbox"/> Other _____
71105100	End wall set	<input type="checkbox"/> 0	<input type="checkbox"/> Other _____

ENSEMBLE™

Technical Information

Fixture*:			
Basin area:			
Bathing well	40" (101.6 cm) x 21" (53.3 cm)		
Top area	52" (132.1 cm) x 29" (73.7 cm)		
To overflow:			
Water depth	11" (27.9 cm)		
Capacity	40 gal (151.4 L)		
* Approximate measurements for comparison only.			
Pump:	V	Hz	A
1-speed	120	60	7
Model	door maximum width	door maximum height	
76100110	58" (147.3 cm)	56" (142.2 cm)	
76100120			
* Varies with alternative walls.			

Required Electrical Service

Dedicated circuit required, protected with Class A Ground-Fault Circuit-Interrupter (GFCI):	
Pump	120 V, 15 A, 60 Hz

Installation Notes

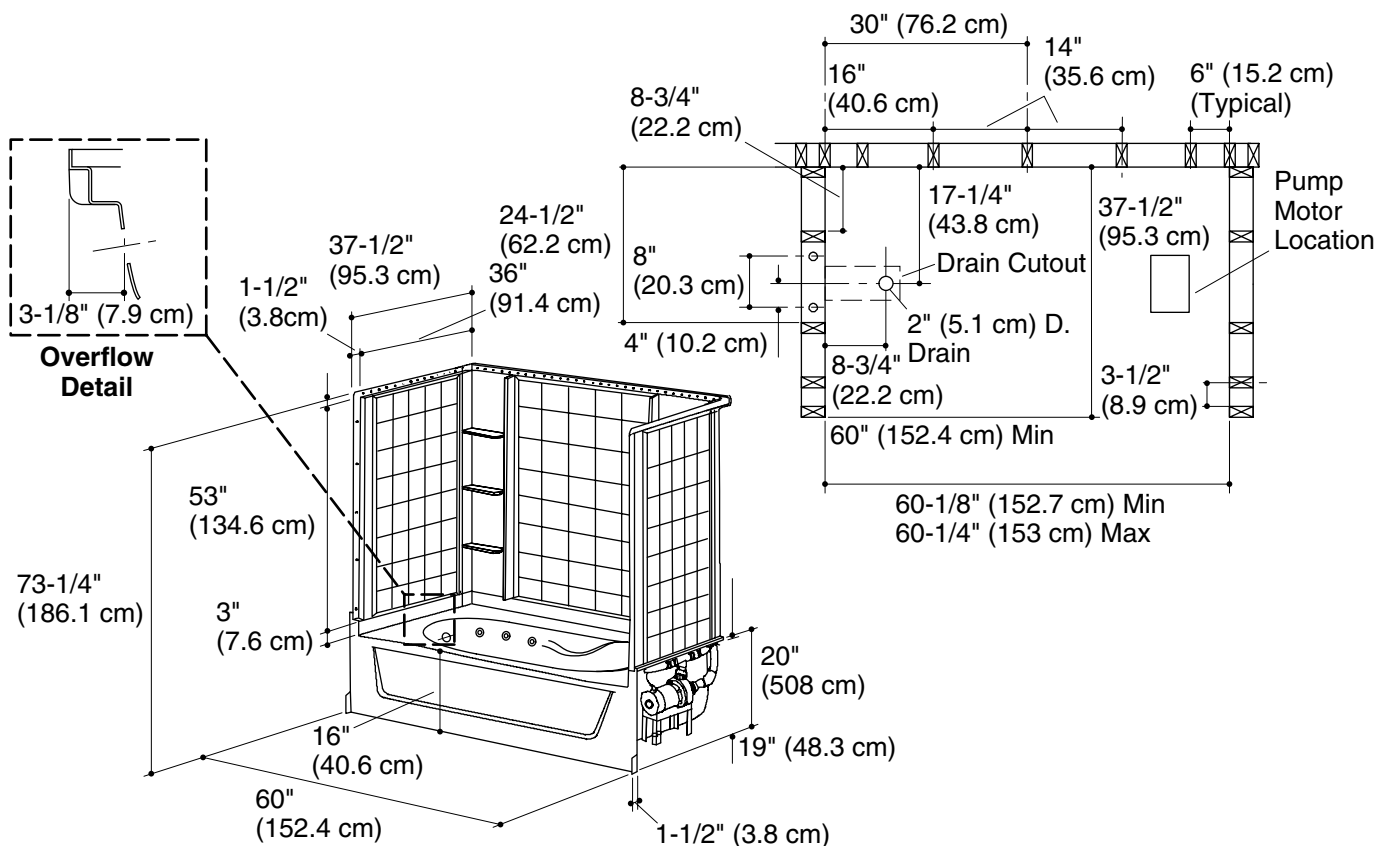
Install this product according to the installation guide.

Pump is supplied with a grounding type plug-in cord. Locate the outlet behind the whirlpool, and within 24" (61 cm) of the pump.

Do not disassemble the pump or piping as this could void the warranty.

Size the drain cutout to fit the drain assembly that will be used.

Studs should be positioned roughly as shown.



Product Diagram