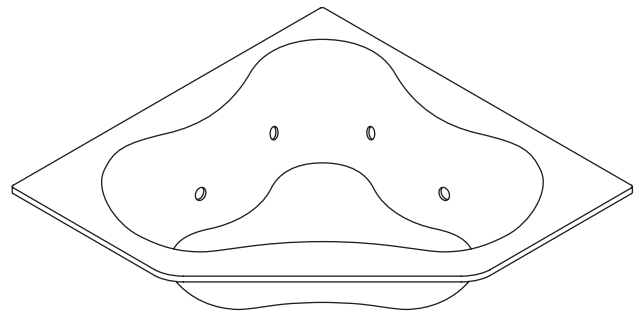


Features

- Acrylic
- Pump with air switch and grounding-type plug-in cord
- Molded lumbar supports and armrests
- For corner installation
- Custom pump locations
- Drop-in
- Optional K-9696 whirlpool trim kit in various finishes
- 6 individually adjustable ProFlex® hydro-massage jets
- 54" (1372 mm) x 54" (1372 mm) x 20-1/2" (521 mm)



Codes/Standards Applicable

Specified model meets or exceeds the following:

- ASME A112.19.7
- ANSI Z124.1.2
- UL 1795
- ASTM E162
- ASTM E662

Colors/Finishes

- 0: White
- Other: Refer to Price Book for additional colors/finishes

Accessories

- 0: White
- CP: Polished Chrome
- PB: Vibrant® Polished Brass
- Other: Refer to Price Book for additional colors/finishes

Specified Model

Model	Description	Colors/Finishes	
K-1154-CC	Bath whirlpool – drop-in, custom pump	<input type="checkbox"/> 0	<input type="checkbox"/> Other _____

Recommended Accessories				
K-7213	Clearflo bath cable drain with PVC tubing	<input type="checkbox"/> CP		<input type="checkbox"/> Other _____
K-7214	Clearflo bath cable drain without PVC tubing	<input type="checkbox"/> CP		<input type="checkbox"/> Other _____
K-11677	Adjustable trip lever bath drain	<input type="checkbox"/> CP	<input type="checkbox"/> PB	

Product Specification

The acrylic bath whirlpool shall be 54" (1372 mm) in length, 54" (1372 mm) in width, and 20-1/2" (521 mm) in height. Product shall be drop-in for corner installation. Product shall have 6 individually adjustable ProFlex hydro-massage jets, a pump with air switch and grounding-type plug-in cord, molded lumbar supports and armrests, and custom pump locations. Product shall have an optional K-9696 whirlpool trim kit in various finishes. Bath whirlpool shall be Kohler Model K-1154-CC-_____.

PROFLEX® 5454

Optional Accessories

K-1491	Pillow	<input type="checkbox"/> 0			<input type="checkbox"/> Other _____
K-1601	Footstop	<input type="checkbox"/> 0			<input type="checkbox"/> Other _____
K-9696	Jet trim kit (metal finishes)		<input type="checkbox"/> CP	<input type="checkbox"/> PB	<input type="checkbox"/> Other _____

Technical Information

Fixture*:	
Basin area:	
Bathing well	44" (1118 mm) x 36" (914 mm)
Top area	56" (1422 mm) x 43" (1092 mm)
Weight	65 lbs (29.5 kg)
To overflow:	
Water depth	15" (381 mm)
Capacity	76 gal (288 L)
* Approximate measurements for comparison only.	

Pump:	V	Hz	A
1-speed	120	60	7.5

Required Electrical Service

Dedicated circuit required, protected with Class A Ground-Fault Circuit-Interrupter (GFCI):

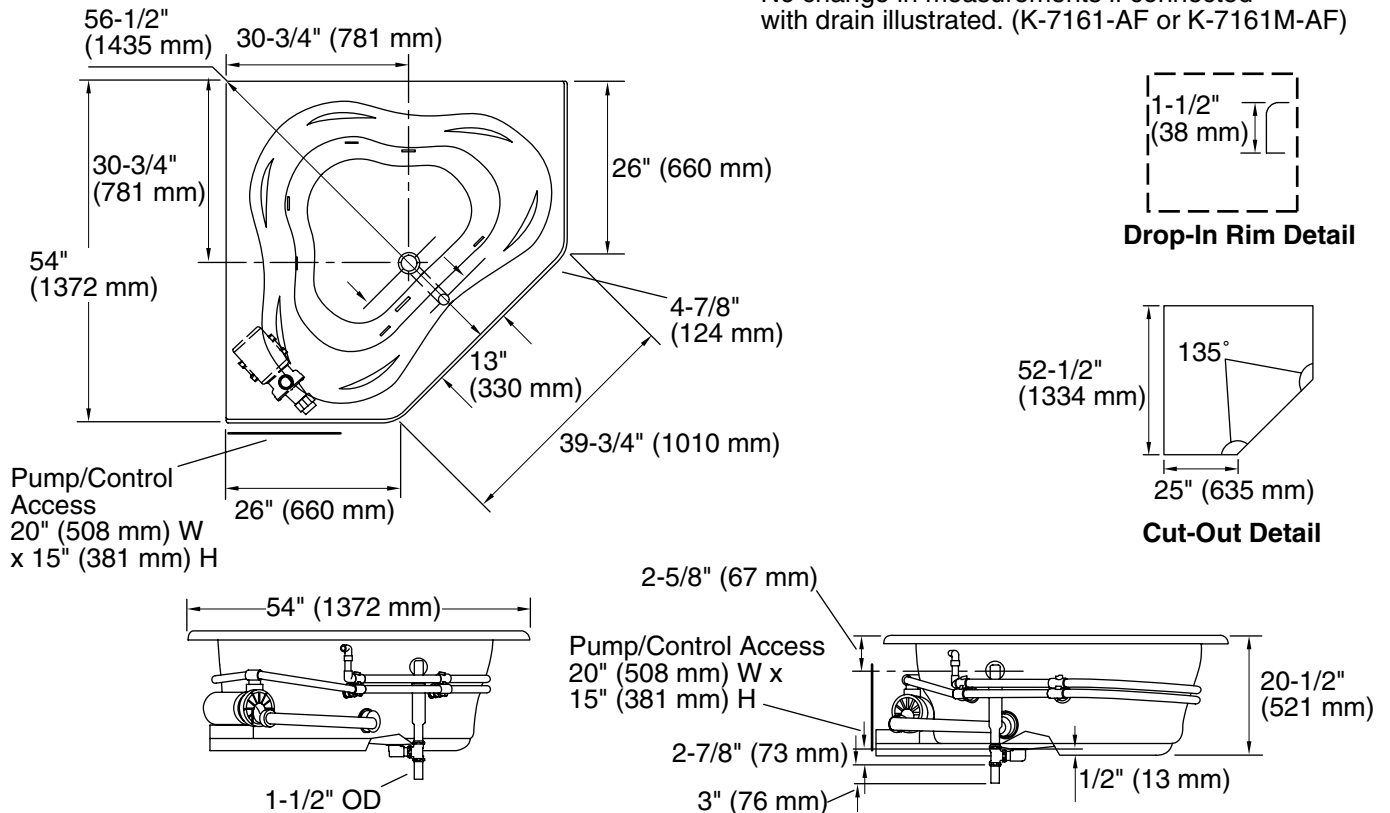
Pump/control 120 V, 15 A, 60 Hz

Locate the outlet behind the whirlpool and within 24" (610 mm) of the pump.

Installation Notes

Install this product according to the installation guide.

Floor support under whirlpool must provide for a minimum of 37 lbs/square foot (175 kg/square meter) loading.



No change in measurements if connected with drain illustrated. (K-7161-AF or K-7161M-AF)

Product Diagram