

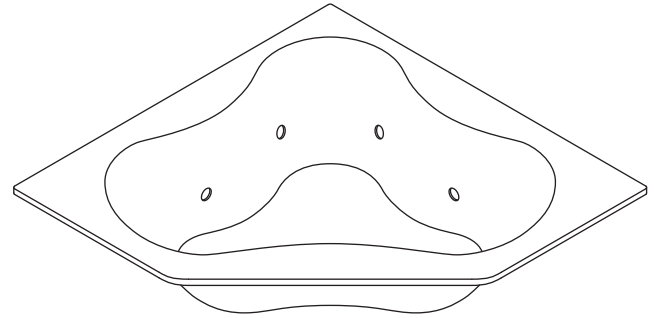
### BATH WHIRLPOOL WITH HEATER

# K-1154-H

ALSO K-1154-FH

#### Features

- Acrylic
- Pump with air switch and grounding-type plug-in cord
- Molded lumbar supports and armrests
- 6 individually adjustable ProFlex® hydro-massage jets
- Drop-in
- In-line heater
- Optional K-9696 whirlpool trim kit in various finishes
- Tile flange on two sides for corner installation [K-1154-FH]
- 54" (1372 mm) x 54" (1372 mm) x 20-1/2" (521 mm)



#### Codes/Standards Applicable

Specified model meets or exceeds the following:

- ASME A112.19.7
- ANSI Z124.1.2
- UL 1795
- ASTM E162
- ASTM E662

#### Colors/Finishes

- 0: White
- Other: Refer to Price Book for additional colors/finishes

#### Accessories

- 0: White
- CP: Polished Chrome
- PB: Vibrant® Polished Brass
- Other: Refer to Price Book for additional colors/finishes

#### Specified Model

| Model     | Description                              | Colors/Finishes            |                                      |
|-----------|--|----------------------------|--------------------------------------|
| K-1154-H  | Bath whirlpool with heater – drop-in     | <input type="checkbox"/> 0 | <input type="checkbox"/> Other _____ |
| K-1154-FH | Bath whirlpool with heater – tile flange | <input type="checkbox"/> 0 | <input type="checkbox"/> Other _____ |

| Recommended Accessories |  |                             |                             |                                      |
|-------------------------|--|-----------------------------|-----------------------------|--------------------------------------|
| K-7213                  | Clearflo bath cable drain with PVC tubing    | <input type="checkbox"/> CP |                             | <input type="checkbox"/> Other _____ |
| K-7214                  | Clearflo bath cable drain without PVC tubing | <input type="checkbox"/> CP |                             | <input type="checkbox"/> Other _____ |
| K-11677                 | Adjustable trip lever bath drain             | <input type="checkbox"/> CP | <input type="checkbox"/> PB |                                      |

#### Product Specification

The acrylic bath whirlpool shall be 54" (1372 mm) in length, 54" (1372 mm) in width, and 20-1/2" (521 mm) in height. Product shall be drop-in or tile flange on two sides for corner installation [K-1154-FH]. Product shall have 6 individually adjustable ProFlex hydro-massage jets, a pump with air switch and grounding-type plug-in cord, and an in-line heater. Product shall have molded lumbar supports and armrests. Product shall have an optional K-9696 whirlpool trim kit in various finishes. Bath whirlpool shall be Kohler Model K-1154-\_\_\_\_\_-\_\_\_\_\_.

# PROFLEX® 5454

## Optional Accessories

|        |                               |                             |                             |                                     |
|--------|-------------------------------|-----------------------------|-----------------------------|-------------------------------------|
| K-9696 | Jet trim kit (metal finishes) | <input type="checkbox"/> CP | <input type="checkbox"/> PB | <input type="checkbox"/> Other_____ |
|--------|-------------------------------|-----------------------------|-----------------------------|-------------------------------------|

## Technical Information

|   |                               |
|---|-------------------------------|
| Fixture*:                                       |                               |
| Basin area:                                     |                               |
| Bathing well                                    | 44" (1118 mm) x 36" (914 mm)  |
| Top area  | 56" (1422 mm) x 43" (1092 mm) |
| Weight  | 70 lbs (31.8 kg)              |
| To overflow:                                    |                               |
| Water depth                                     | 15" (381 mm)                  |
| Capacity  | 76 gal (288 L)                |
| * Approximate measurements for comparison only. |                               |

|         |     |     |    |      |
|---------|-----|-----|----|------|
| Pump:   |     | V   | Hz | A    |
| 1-speed |     | 120 | 60 | 7.5  |
| Heater: | kW  | V   | Hz | A    |
|         | 1.5 | 120 | 60 | 12.5 |

## Required Electrical Service

Two dedicated circuits required, each protected with Class A Ground-Fault Circuit-Interrupter (GFCI):

|              |                    |
|--------------|--------------------|
| Pump/control | 120 V, 15 A, 60 Hz |
| Heater:      | 120 V, 15 A, 60 Hz |

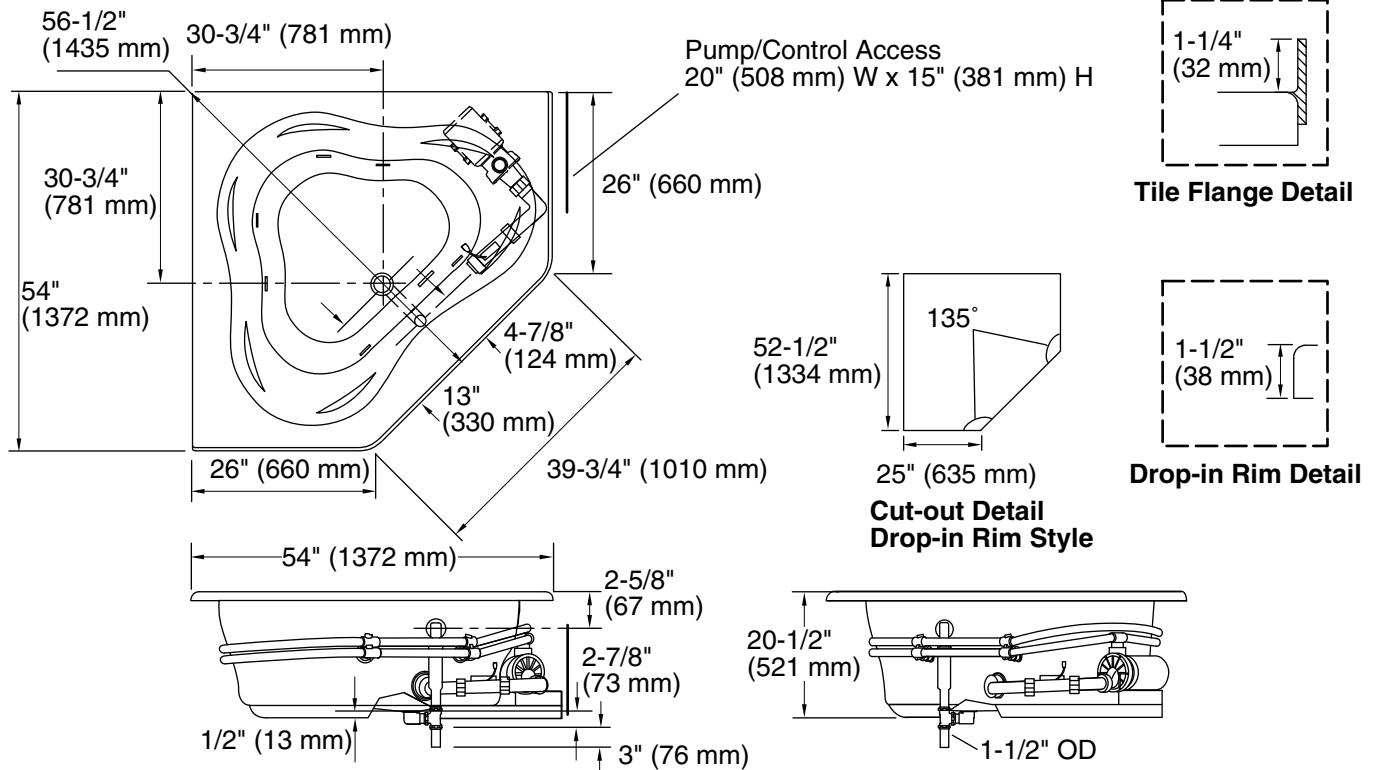
Locate the outlets behind the whirlpool and within 24" (610 mm) of the pump.

## Installation Notes

Install this product according to the installation guide.

Floor support under whirlpool must provide for a minimum of 36 lbs/square foot (176 kg/square meter) loading.

No change in measurements if connected with drain illustrated. (K-11677 or K-11677M)



## Product Diagram