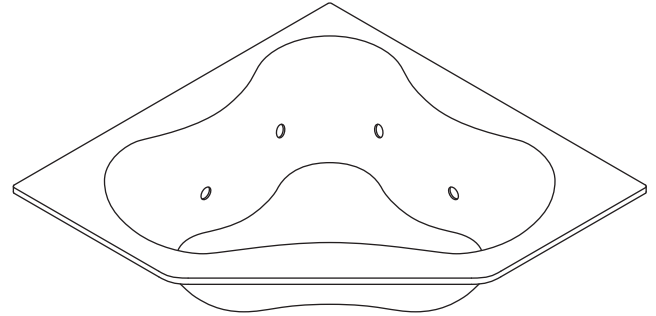


BATH WHIRLPOOL WITH HEATER K-1154-HC

Features

- Acrylic
- Pump with air switch and grounding-type plug-in cord
- In-line heater
- Molded lumbar supports and armrests
- For corner installation
- 6 individually adjustable ProFlex® hydro-massage jets
- Custom pump locations
- Drop-in
- Optional K-9696 whirlpool trim kit in various finishes
- 54" (1372 mm) x 54" (1372 mm) x 20-1/2" (521 mm)



Codes/Standards Applicable

Specified model meets or exceeds the following:

- ASME A112.19.7
- ANSI Z124.1.2
- UL 1795
- ASTM E162
- ASTM E662

Colors/Finishes

- 0: White
- Other: Refer to Price Book for additional colors/finishes

Accessories

- 0: White
- CP: Polished Chrome
- PB: Vibrant® Polished Brass
- Other: Refer to Price Book for additional colors/finishes

Specified Model

Model	Description	Colors/Finishes	
K-1154-HC	Bath whirlpool with heater – drop-in	<input type="checkbox"/> 0	<input type="checkbox"/> Other _____

Recommended Accessories				
K-7213	Clearflo bath cable drain with PVC tubing	<input type="checkbox"/> CP		<input type="checkbox"/> Other _____
K-7214	Clearflo bath cable drain without PVC tubing	<input type="checkbox"/> CP		<input type="checkbox"/> Other _____
K-11677	Adjustable trip lever bath drain	<input type="checkbox"/> CP	<input type="checkbox"/> PB	

Optional Accessories				
K-1491	Pillow	<input type="checkbox"/> 0		<input type="checkbox"/> Other _____
K-1601	Footstop	<input type="checkbox"/> 0		<input type="checkbox"/> Other _____

Product Specification

The acrylic bath whirlpool shall be 54" (1372 mm) in length, 54" (1372 mm) in width, and 20-1/2" (521 mm) in height. Product shall be drop-in for corner installation. Product shall have 6 individually adjustable ProFlex hydro-massage jets, a pump with air switch and grounding-type plug-in cord, and an in-line heater. Product shall have custom pump locations, and molded lumbar supports and armrests. Product shall have an optional K-9696 whirlpool trim kit in various finishes. Bath whirlpool shall be Kohler Model K-1154-HC-_____.

PROFLEX® 5454

Optional Accessories

K-9696	Jet trim kit (metal finishes)	<input type="checkbox"/> CP	<input type="checkbox"/> PB	<input type="checkbox"/> Other_____
--------	-------------------------------	-----------------------------	-----------------------------	-------------------------------------

Technical Information

Fixture*:	
Basin area:	
Bathing well	44" (1118 mm) x 36" (914 mm)
Top area	56" (1422 mm) x 43" (1092 mm)
Weight	70 lbs (31.8 kg)
To overflow:	
Water depth	15" (381 mm)
Capacity	76 gal (287.7 L)
* Approximate measurements for comparison only.	

Pump:		V	Hz	A
1-speed		120	60	7.5
Heater:	kW	V	Hz	A
	1.5	120	60	12.5

Required Electrical Service

Two dedicated circuits required, each protected with Class A Ground-Fault Circuit-Interrupter (GFCI):

Pump/control	120 V, 15 A, 60 Hz
Heater:	120 V, 15 A, 60 Hz

Locate the outlets behind the whirlpool and within 24" (610 mm) of the pump.

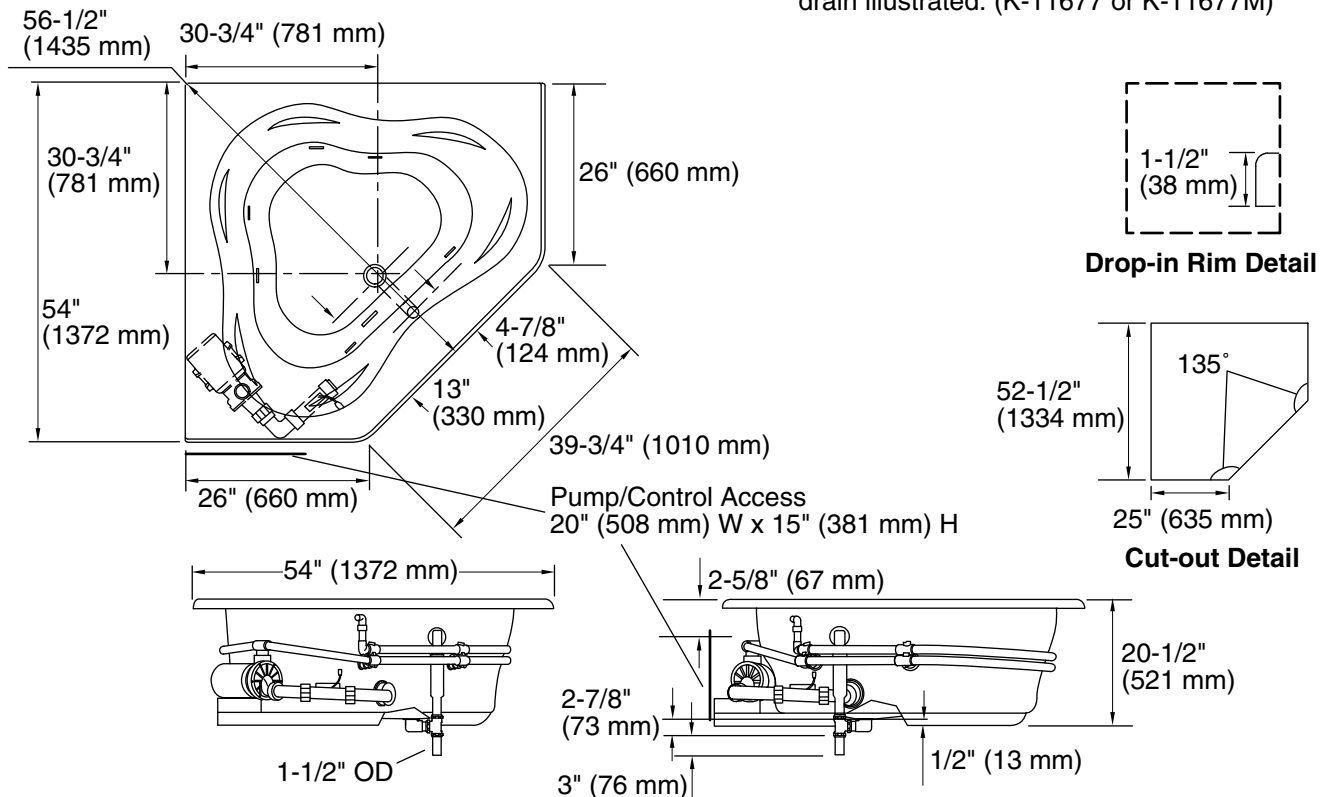
Installation Notes

Install this product according to the installation guide.

Pump must be relocated to custom position at the time of installation. Provide adequate clearance.

Floor support under whirlpool must provide for a minimum of 36 lbs/square foot (176 kg/square meter) loading.

No change in measurements if connected with drain illustrated. (K-11677 or K-11677M)



Product Diagram