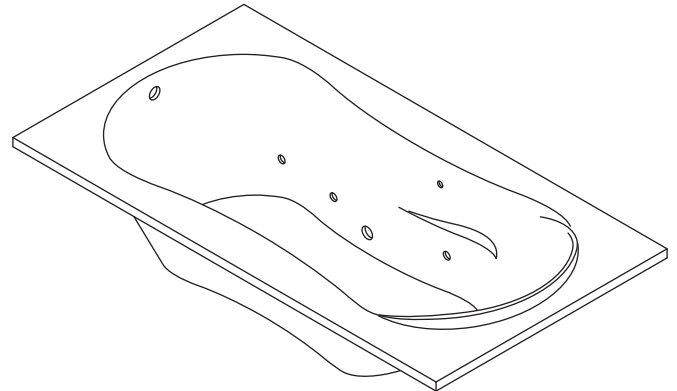


BATH WHIRLPOOL K-1157 ALSO K-1157-L/R

Features

- Acrylic
- Drop-in
- Pump with air switch and grounding-type plug-in cord
- 6 individually adjustable ProFlex® hydro-massage jets
- Molded lumbar supports and armrests
- Left or right drain
- Optional K-1283 removable apron
- Optional K-9696 whirlpool trim kit in various finishes
- Tile flange on three sides for alcove installation [K-1157-L/R]
- 72" (1829 mm) x 36" (914 mm) x 20-1/8" (511 mm)



Codes/Standards Applicable

Specified model meets or exceeds the following:

- ASME A112.19.7
- ANSI Z124.1.2
- UL 1795
- ASTM E162
- ASTM E662

Colors/Finishes

- 0: White
- Other: Refer to Price Book for additional colors/finishes

Accessories

- 0: White
- CP: Polished Chrome
- PB: Vibrant® Polished Brass
- Other: Refer to Price Book for additional colors/finishes

Specified Model

Model	Description	Colors/Finishes	
K-1157	Bath whirlpool – drop-in (shown)	<input type="checkbox"/> 0	<input type="checkbox"/> Other_____
K-1157-L	Bath whirlpool – left drain, tile flange	<input type="checkbox"/> 0	<input type="checkbox"/> Other_____
K-1157-R	Bath whirlpool – right drain, tile flange	<input type="checkbox"/> 0	<input type="checkbox"/> Other_____

Recommended Accessories

K-11677	Adjustable trip lever bath drain	<input type="checkbox"/> CP	<input type="checkbox"/> PB
---------	----------------------------------	-----------------------------	-----------------------------

Optional Accessories

K-1283	Removable apron	<input type="checkbox"/> 0	<input type="checkbox"/> Other_____
--------	-----------------	----------------------------	-------------------------------------

Product Specification

The acrylic bath whirlpool shall be 72" (1829 mm) in length, 36" (914 mm) in width, and 20-1/8" (511 mm) in height. Product shall be drop-in or tile flange on three sides for alcove installation with a left or right drain [K-1157-L/R]. Product shall have 6 individually adjustable ProFlex hydro-massage jets, a pump with air switch and grounding-type plug-in cord. Product shall have molded lumbar supports and armrests. Product shall have an optional K-1283 removable apron and an optional K-9696 whirlpool trim kit in various finishes. Bath whirlpool shall be Kohler Model K-1157-_____-_____.

PROFLEX® 7236

Optional Accessories

K-9696	Jet trim kit (metal finishes)	<input type="checkbox"/> CP	<input type="checkbox"/> PB	<input type="checkbox"/> Other_____
--------	-------------------------------	-----------------------------	-----------------------------	-------------------------------------

Technical Information

Fixture*:			
Basin area:			
Bathing well	55" (1397 mm) x 21" (533 mm)		
Top area	65" (1651 mm) x 26" (660 mm)		
Weight	66 lbs (29.9 kg)		
To overflow:			
Water depth	15" (381 mm)		
Capacity	72 gal (272.5 L)		
* Approximate measurements for comparison only.			
Drop-in cut-out	70-1/2" (1791 mm) x 34-1/2" (876 mm)		
Pump:	V	Hz	A
1-speed	120	60	7.5

Required Electrical Service

Dedicated circuit required, protected with Class A Ground-Fault Circuit-Interrupter (GFCI):	
Pump/control	120 V, 15 A, 60 Hz
Locate the outlet behind the whirlpool and within 24" (610 mm) of the pump.	

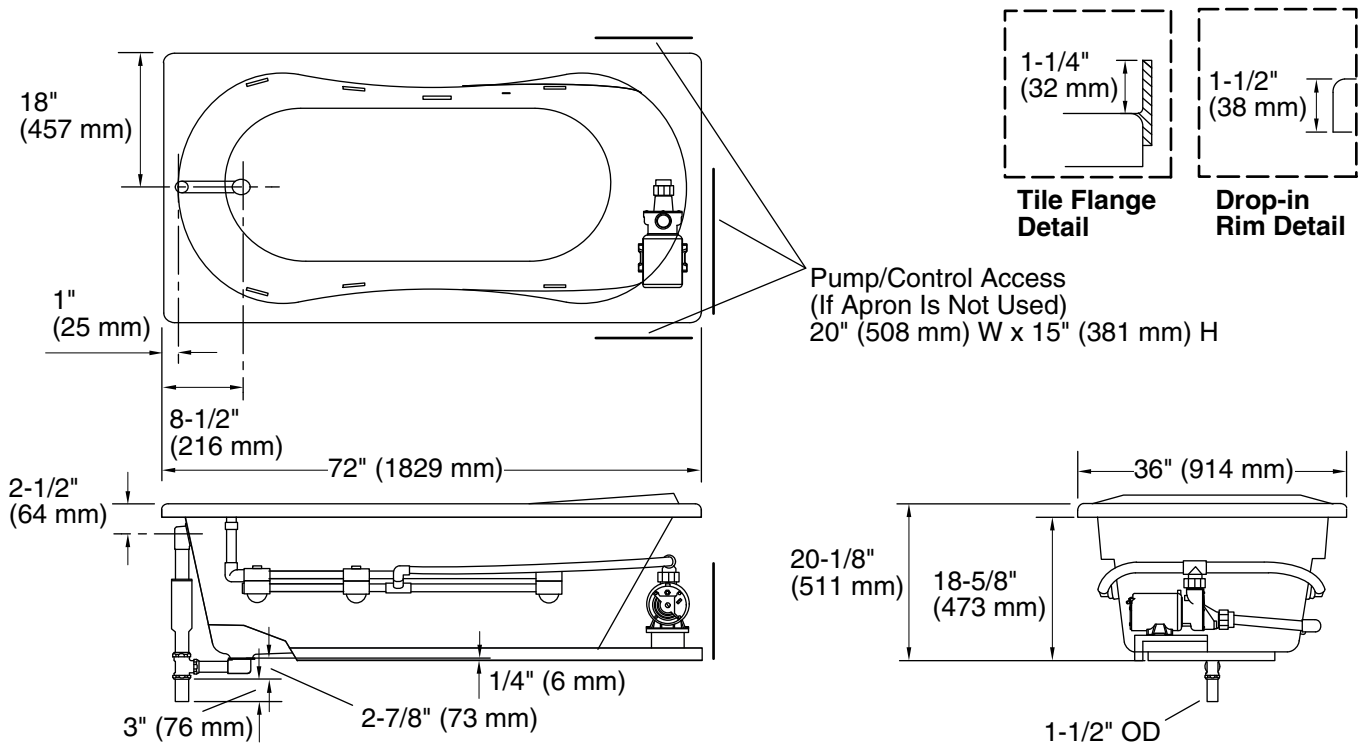
Installation Notes

Install this product according to the installation guide.

Floor support under whirlpool must provide for a minimum of 38 lbs/square foot (188 kg/square meter) loading.

The apron must be installed before the finished floor and wall materials are installed.

No change in measurements if connected with drain illustrated. (K-11677 or K-11677M)



Product Diagram