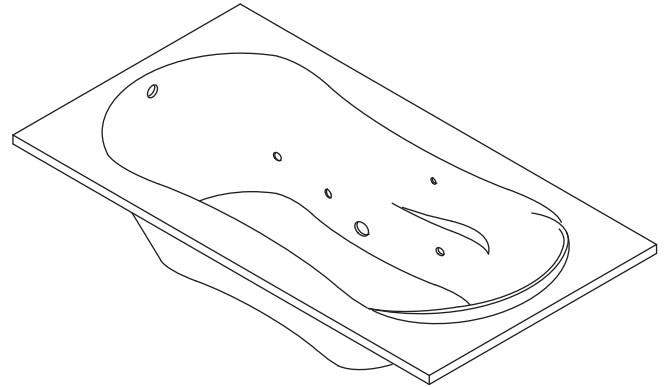


### CUSTOM BATH WHIRLPOOL K-1157-CN

#### Features

- Acrylic
- Pump with air switch and grounding-type plug-in cord
- 6 individually adjustable ProFlex® hydro-massage jets
- Custom pump locations
- Drop-in
- Molded lumbar supports and armrests
- Optional K-1283 removable apron
- Optional K-9696 whirlpool trim kit in various finishes
- 72" (1829 mm) x 36" (914 mm) x 20-1/8" (511 mm)



#### Codes/Standards Applicable

Specified model meets or exceeds the following:

- ASME A112.19.7
- ANSI Z124.1.2
- UL 1795
- ASTM E162
- ASTM E662

#### Colors/Finishes

- 0: White
- Other: Refer to Price Book for additional colors/finishes

#### Accessories

- 0: White
- CP: Polished Chrome
- PB: Vibrant® Polished Brass
- Other: Refer to Price Book for additional colors/finishes

#### Specified Model

Model	Description	Colors/Finishes	
K-1157-CN	Custom bath whirlpool – drop-in	<input type="checkbox"/> 0	<input type="checkbox"/> Other _____

Recommended Accessories				
K-7213	Clearflo bath cable drain with PVC tubing	<input type="checkbox"/> CP		<input type="checkbox"/> Other _____
K-7214	Clearflo bath cable drain without PVC tubing	<input type="checkbox"/> CP		<input type="checkbox"/> Other _____
K-11677	Adjustable trip lever bath drain	<input type="checkbox"/> CP	<input type="checkbox"/> PB	

Optional Accessories				
K-1283	Removable apron	<input type="checkbox"/> 0		<input type="checkbox"/> Other _____
K-1491	Pillow	<input type="checkbox"/> 0		<input type="checkbox"/> Other _____

#### Product Specification

The acrylic bath whirlpool shall be 72" (1829 mm) in length, 36" (914 mm) in width, and 20-1/8" (511 mm) in height. Product shall be drop-in with custom pump locations. Product shall have 6 individually adjustable ProFlex hydro-massage jets, a pump with air switch and grounding-type plug-in cord. Product shall have molded lumbar supports and armrests. Product shall have an optional K-1283 removable apron and an optional K-9696 whirlpool trim kit in various finishes. Bath whirlpool shall be Kohler Model K-1157-CN-\_\_\_\_\_.

# PROFLEX® 7236

## Optional Accessories

K-9696	Jet trim kit (metal finishes)	<input type="checkbox"/> CP	<input type="checkbox"/> PB	<input type="checkbox"/> Other_____
--------	-------------------------------	-----------------------------	-----------------------------	-------------------------------------

## Technical Information

Fixture*:			
Basin area:			
Bathing well	55" (1397 mm) x 21" (533 mm)		
Top area	65" (1651 mm) x 26" (660 mm)		
Weight	66 lbs (29.9 kg)		
To overflow:			
Water depth	15" (381 mm)		
Capacity	72 gal (272.5 L)		
* Approximate measurements for comparison only.			
Drop-in cut-out	70-1/2" (1791 mm) x 34-1/2" (876 mm)		
Pump:	V	Hz	A
1-speed	120	60	7.5

## Required Electrical Service

Dedicated circuit required, protected with Class A Ground-Fault Circuit-Interrupter (GFCI):	
Pump/control	120 V, 15 A, 60 Hz
Locate the outlet behind the whirlpool and within 24" (610 mm) of the pump.	

## Installation Notes

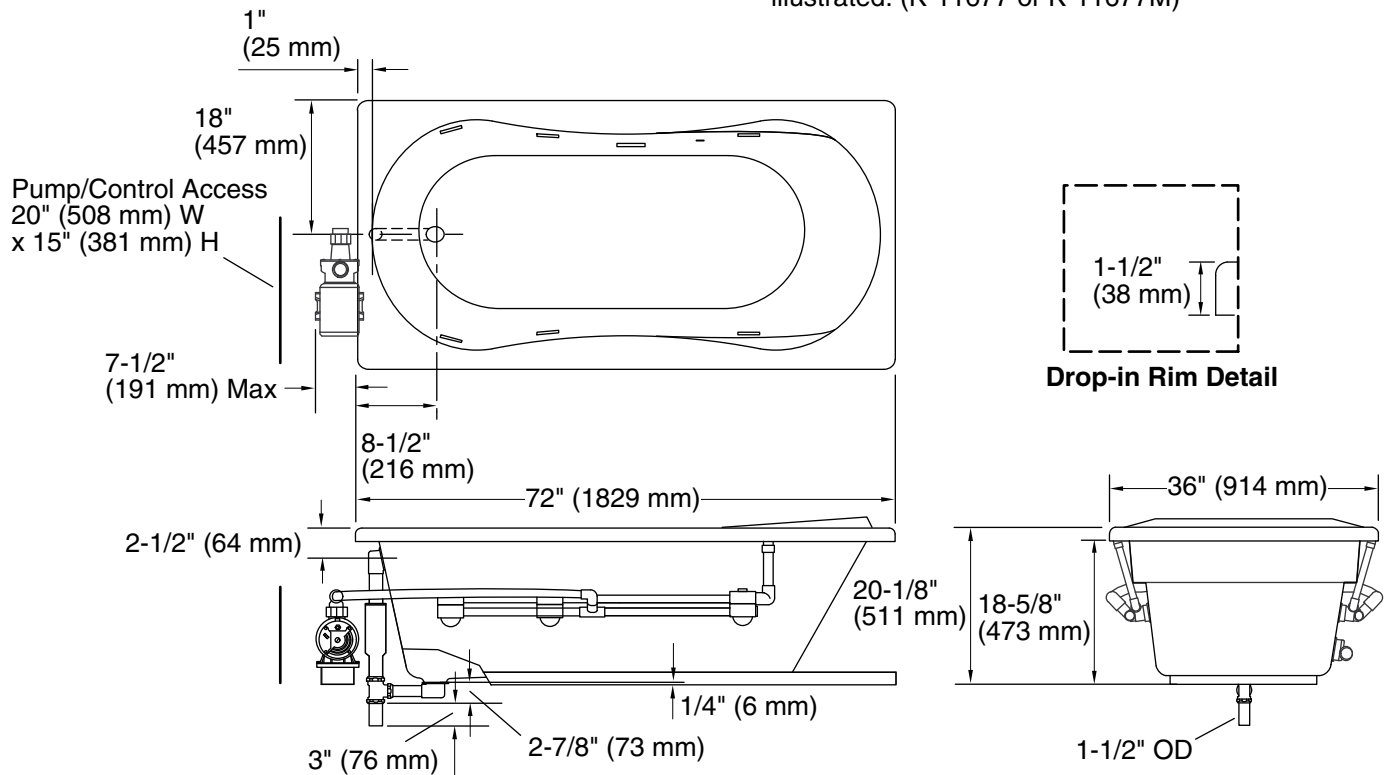
Install this product according to the installation guide.

Floor support under whirlpool must provide for a minimum of 39 lbs/square foot (188 kg/square meter) loading.

The apron must be installed before the finished floor and wall materials are installed.

Pump must be relocated to custom position at the time of installation. Provide adequate clearance.

No change in measurements if connected with drain illustrated. (K-11677 or K-11677M)



## Product Diagram