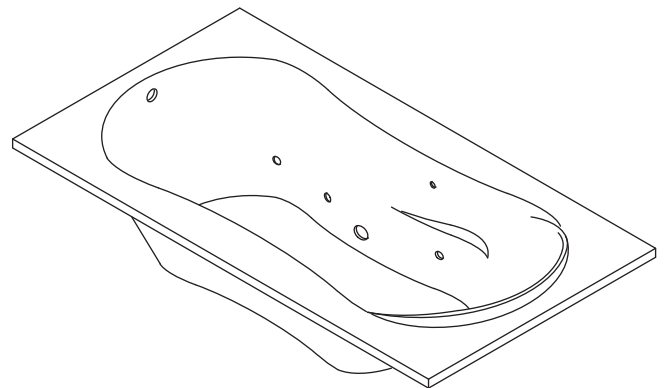


Features

- Acrylic
- Pump with air switch and grounding-type plug-in cord
- 6 individually adjustable ProFlex® hydro-massage jets
- Custom pump locations
- Drop-in
- In-line heater
- Molded lumbar supports and armrests
- Optional K-1283 removable apron
- Optional K-9696 whirlpool trim kit in various finishes
- 72" (1829 mm) x 36" (914 mm) x 20-1/8" (511 mm)

CUSTOM BATH WHIRLPOOL WITH HEATER K-1157-HN



Codes/Standards Applicable

Specified model meets or exceeds the following:

- ASME A112.19.7
- ANSI Z124.1.2
- UL 1795
- ASTM E162
- ASTM E662

Colors/Finishes

- 0: White
- Other: Refer to Price Book for additional colors/finishes

Accessories

- 0: White
- CP: Polished Chrome
- PB: Vibrant® Polished Brass
- NA: None applicable
- Other: Refer to Price Book for additional colors/finishes

Specified Model

Model	Description	Colors/Finishes	
K-1157-HN	Custom bath whirlpool with heater – drop-in	<input type="checkbox"/> 0	<input type="checkbox"/> Other_____
Recommended Accessories			
K-11677	Adjustable trip lever bath drain	<input type="checkbox"/> CP	<input type="checkbox"/> PB
Optional Accessories			
K-1283	Removable apron	<input type="checkbox"/> 0	<input type="checkbox"/> Other_____
K-9696	Jet trim kit (metal finishes)	<input type="checkbox"/> CP	<input type="checkbox"/> PB
			<input type="checkbox"/> Other_____

Product Specification

The acrylic bath whirlpool shall be 72" (1829 mm) in length, 36" (914 mm) in width, and 20-1/8" (511 mm) in height. Product shall be drop-in with custom pump locations. Product shall have 6 individually adjustable ProFlex hydro-massage jets, a pump with air switch and grounding-type plug-in cord, and an in-line heater. Product shall have molded lumbar supports and armrests. Product shall have an optional K-1283 removable apron, and an optional K-9696 whirlpool trim kit in various finishes. Bath whirlpool shall be Kohler Model K-1157-HN-_____.

PROFLEX® 7236

Technical Information

Fixture*:	
Basin area:	
Bathing well	55" (1397 mm) x 21" (533 mm)
Top area	65" (1651 mm) x 26" (660 mm)
Weight	71 lbs (32.2 kg)
To overflow:	
Water depth	15" (381 mm)
Capacity	72 gal (272.5 L)
* Approximate measurements for comparison only.	

Drop-in cut-out	70-1/2" (1791 mm) x 34-1/2" (876 mm)
-----------------	--------------------------------------

Pump:		V	Hz	A
1-speed		120	60	7.5
Heater:	kW	V	Hz	A
	1.5	120	60	12.5

Required Electrical Service

Two dedicated circuits required, each protected with Class A Ground-Fault Circuit-Interrupter (GFCI):	
Pump/control	120 V, 15 A, 60 Hz
Heater:	120 V, 15 A, 60 Hz
Locate the outlets behind the whirlpool and within 24" (610 mm) of the pump.	

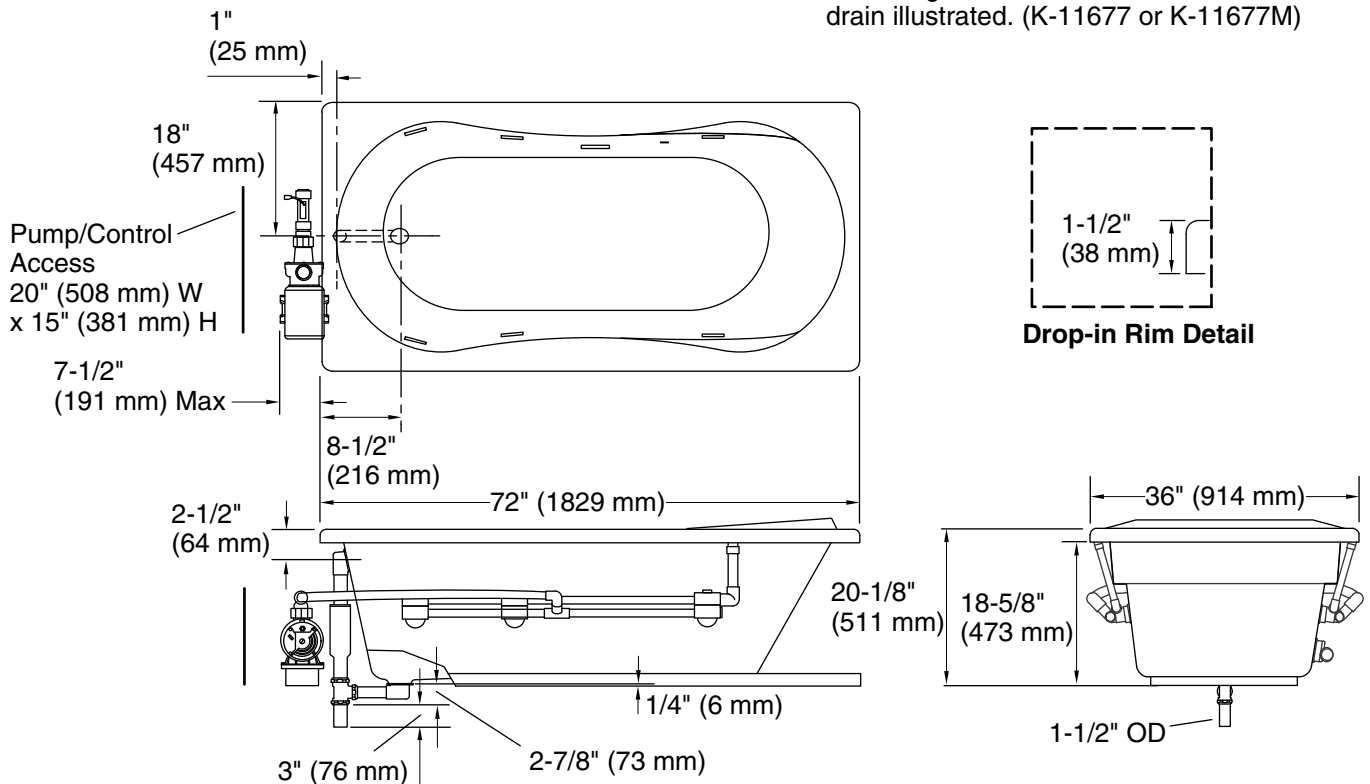
Installation Notes

Install this product according to the installation guide.

Floor support under whirlpool must provide for a minimum of 39 lbs/square foot (189 kg/square meter) loading.

The apron must be installed before the finished floor and wall materials are installed.

Pump must be relocated to custom position at the time of installation. Provided adequate clearance.



Product Diagram