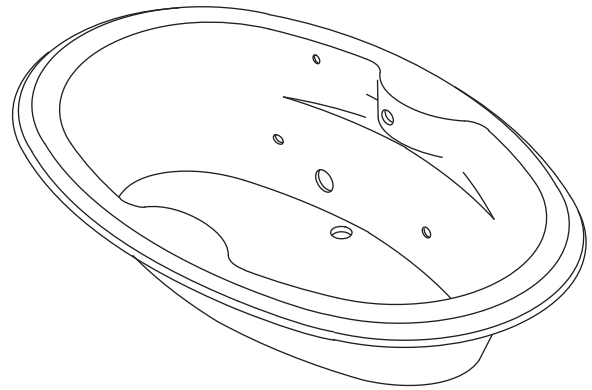


PROFLEX® 7242 OVAL

BATH WHIRLPOOL WITH HEATER K-1148-H

Features

- Acrylic
- Oval shape
- Drop-in
- 6 individually adjustable ProFlex® hydro-massage jets
- Pump with air switch and grounding-type plug-in cord
- In-line heater
- Molded lumbar supports and armrests
- UL listed
- 72" (1829 mm) x 42-1/8" (1070 mm) x 19-3/4" (502 mm)



Codes/Standards Applicable

Specified model meets or exceeds the following:

- ANSI Z124.1.2
- ASME A112.19.7
- ASTM E162
- ASTM E662
- UL 1795

Colors/Finishes

- 0: White
- Other: Refer to Price Book for additional colors/finishes

Accessories

- CP: Polished Chrome
- PB: Vibrant® Polished Brass
- Other: Refer to Price Book for additional colors/finishes

Specified Model

Model	Description	Colors/Finishes		
K-1148-H	Bath whirlpool – drop-in	<input type="checkbox"/> 0	<input type="checkbox"/> Other_____	
Recommended Accessories				
K-11677	Adjustable trip lever bath drain OR	<input type="checkbox"/> CP	<input type="checkbox"/> PB	
K-7213	Cable drain with PVC tubing OR	<input type="checkbox"/> CP		<input type="checkbox"/> Other_____
K-7214	Cable drain without PVC tubing	<input type="checkbox"/> CP		<input type="checkbox"/> Other_____
Optional Accessories				
K-9696	Jet trim kit (metal finishes)	<input type="checkbox"/> CP	<input type="checkbox"/> PB	<input type="checkbox"/> Other_____

Product Specification

The oval shaped bath whirlpool shall be 72" (1829 mm) in length, 42-1/8" (1070 mm) in width, and 19-3/4" (502 mm) in height. Drop-in bath whirlpool shall be made of acrylic. Bath whirlpool shall have 6 individually adjustable ProFlex hydro-massage jets, a pump with air switch and grounding-type plug-in cord, and an in-line heater. Bath whirlpool shall have molded lumbar supports and armrests. Bath whirlpool shall be UL listed. Bath whirlpool shall have an optional K-9696 whirlpool trim kit in various finishes. Bath whirlpool shall be Kohler Model K-1148-H-_____.

PROFLEX[®] 7242 OVAL

Technical Information

Fixture*:	
Bathing well:	
Basin area, bottom	53" (1346 mm) x 26" (660 mm)
Basin area, top	65" (1651 mm) x 34" (864 mm)
Weight	79-1/4 lbs (35.9 kg)
To overflow:	
Water depth	15" (381 mm)
Capacity	78 gal (295.3 L)
* Approximate measurements for comparison only.	

Pump:		V	HZ	A
1-speed		120	60	7.5
Heater:	kW	V	Hz	A
	1.5	120	60	12.5

Included components:	
Cut-out template	114861-7

Required Electrical Service

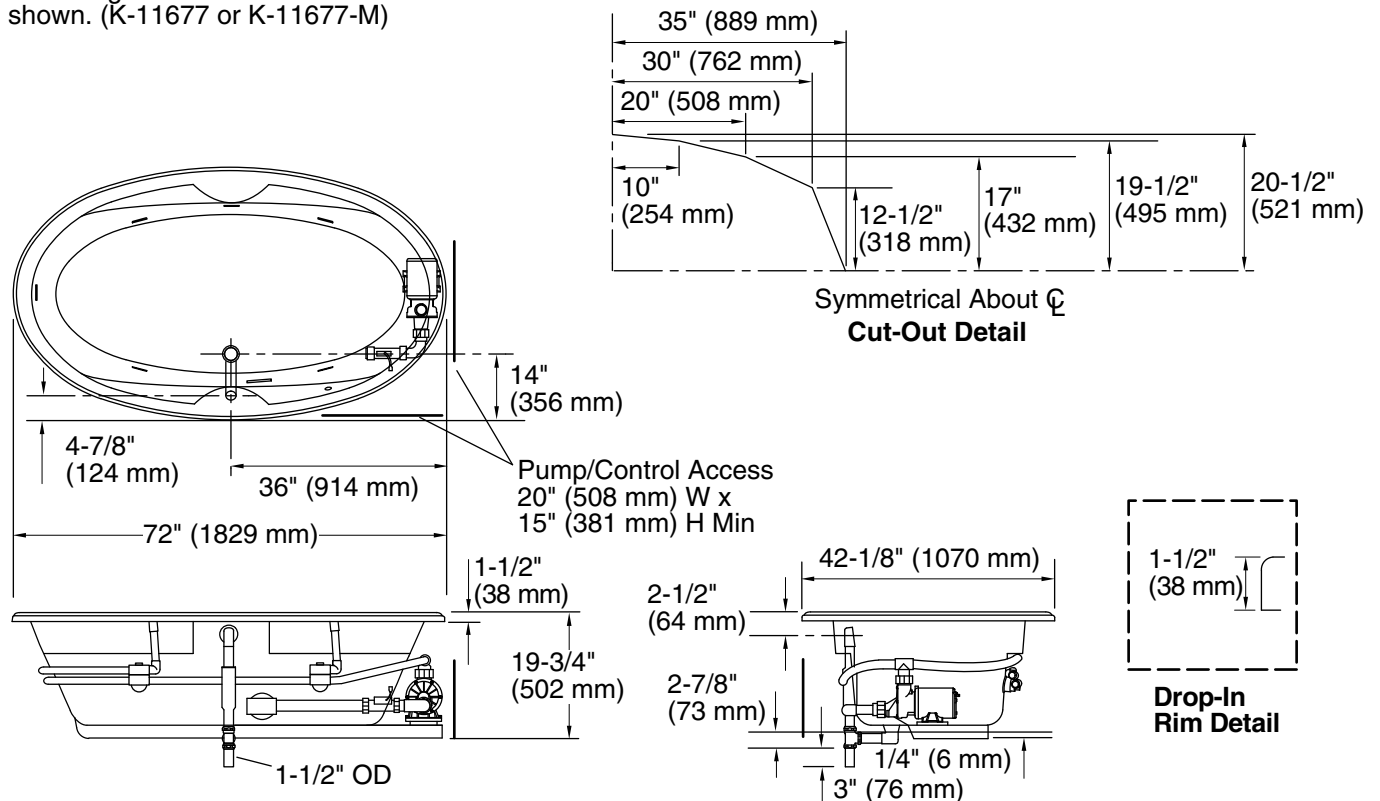
Dedicated circuit required, protected with Class A Ground-Fault Circuit-Interrupter (GFCI):	
Pump/control	120 V, 15 A, 60 Hz
Heater	120 V, 15 A, 60 Hz
Locate the outlet behind the whirlpool and within 24" (610 mm) of the pump.	

Installation Notes

Install this product according to the installation guide.

Floor support under whirlpool must provide for a minimum of 36 lbs/square foot (176 kg/square meter) loading.

No change in measurements with drain shown. (K-11677 or K-11677-M)



Product Diagram