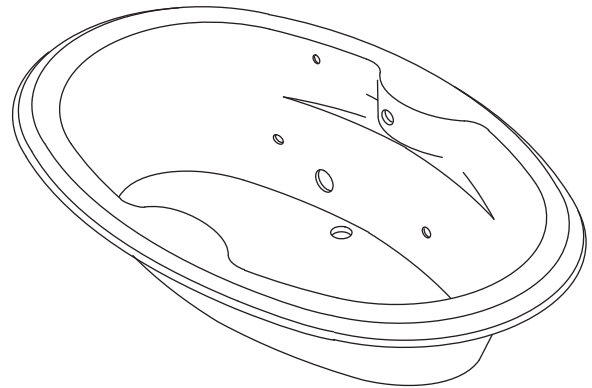


## PROFLEX® 7242 OVAL

### CUSTOM BATH WHIRLPOOL K-1148-CD/-CH

#### Features

- Acrylic
- Oval shape
- Drop-in
- 6 individually adjustable ProFlex® hydro-massage jets
- Pump with air switch and grounding-type plug-in cord
- Molded lumbar supports and armrests
- UL listed
- Optional K-9696 whirlpool trim kit in various finishes
- 72" (1829 mm) x 42-1/8" (1070 mm) x 19-3/4" (502 mm)



#### Codes/Standards Applicable

Specified model meets or exceeds the following:

- ANSI Z124.1.2
- ASME A112.19.7
- ASTM E162
- ASTM E662
- UL 1795

#### Colors/Finishes

- 0: White
- Other: Refer to Price Book for additional colors/finishes

#### Accessories

- CP: Polished Chrome
- PB: Vibrant® Polished Brass
- Other: Refer to Price Book for additional colors/finishes

#### Specified Model

Model	Description	Colors/Finishes	
K-1148-CD	Bath whirlpool – drop-in, custom pump (shown)	<input type="checkbox"/> 0	<input type="checkbox"/> Other_____
K-1148-CH	Bath whirlpool – drop-in, custom pump (top view shown)	<input type="checkbox"/> 0	<input type="checkbox"/> Other_____

#### Recommended Accessories

K-11677	Adjustable trip lever bath drain <b>OR</b>	<input type="checkbox"/> CP	<input type="checkbox"/> PB	
K-7213	Cable drain with PVC tubing <b>OR</b>	<input type="checkbox"/> CP		<input type="checkbox"/> Other_____
K-7214	Cable drain without PVC tubing	<input type="checkbox"/> CP		<input type="checkbox"/> Other_____

#### Optional Accessories

K-9696	Jet trim kit (metal finishes)	<input type="checkbox"/> CP	<input type="checkbox"/> PB	<input type="checkbox"/> Other_____
--------	-------------------------------	-----------------------------	-----------------------------	-------------------------------------

#### Product Specification

The oval shaped bath whirlpool shall be 72" (1829 mm) in length, 42-1/8" (1070 mm) in width, and 19-3/4" (502 mm) in height. Drop-in bath whirlpool shall be made of acrylic. Bath whirlpool shall have 6 individually adjustable ProFlex hydro-massage jets, a pump with air switch and grounding-type plug-in cord. Bath whirlpool shall have molded lumbar supports and armrests. Bath whirlpool shall be UL listed. Bath whirlpool shall have an optional K-9696 whirlpool trim kit in various finishes. Bath whirlpool shall be Kohler Model K-1148-\_\_\_\_\_-\_\_\_\_\_.

# PROFLEX® 7242 OVAL

## Technical Information

Fixture*:	
Bathing well:	
Basin area, bottom	53" (1346 mm) x 26" (660 mm)
Basin area, top	65" (1651 mm) x 34" (864 mm)
Weight	74-1/4 lbs (33.7 kg)
To overflow:	
Water depth	15" (381 mm)
Capacity	78 gal (295.3 L)
* Approximate measurements for comparison only.	

Pump:	V	Hz	A
1-speed	120	60	7.5

Included components:	
Cut-out template	114861-7

## Required Electrical Service

Dedicated circuit required, protected with Class A Ground-Fault Circuit-Interrupter (GFCI):	
Pump/control	120 V, 15 A, 60 Hz
Locate the outlet behind the whirlpool and within 24" (610 mm) of the pump.	

## Installation Notes

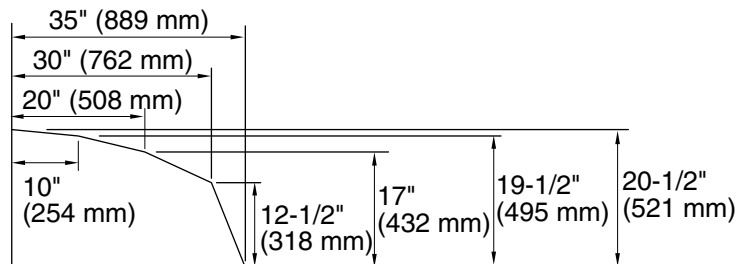
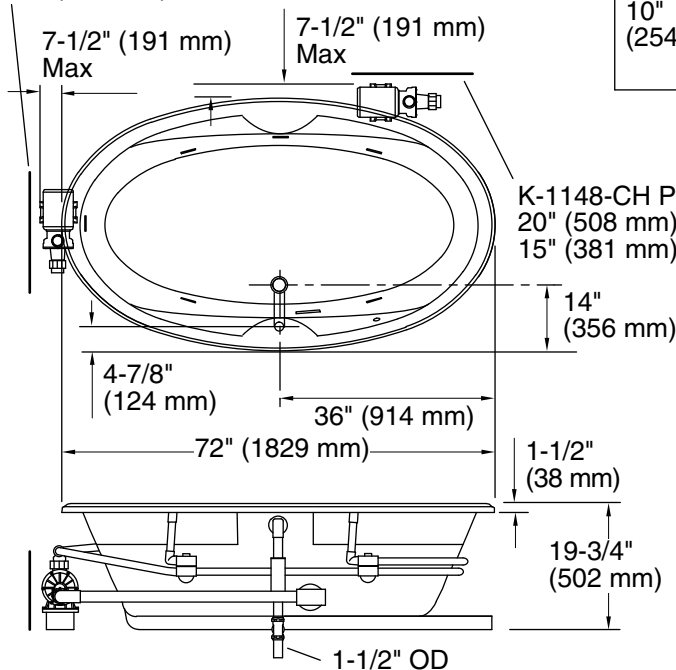
Install this product according to the installation guide.

Floor support under whirlpool must provide for a minimum of 36 lbs/square foot (174 kg/square meter) loading.

Pump must be relocated to custom position at the time of the installation. Provide adequate clearance.

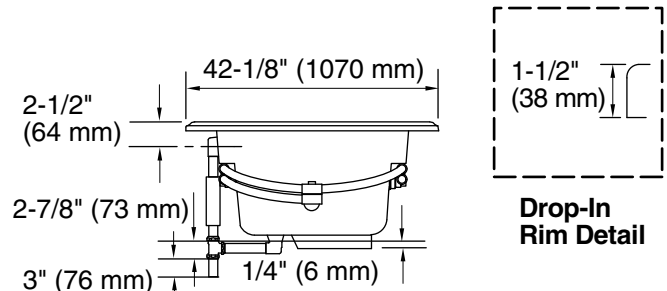
No change in measurements with drain shown. (K-11677 or K-11677-M)

K-1148-CD Pump/Control Access  
20" (508 mm) W x  
15" (381 mm) H Min



Symmetrical About  $\varnothing$   
**Cut-Out Detail**

K-1148-CH Pump/Control Access  
20" (508 mm) W x  
15" (381 mm) H Min



## Product Diagram