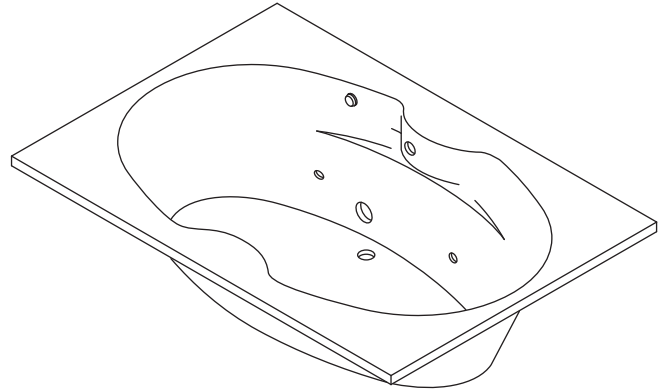


CUSTOM BATH WHIRLPOOL K-1131-CE

Features

- Acrylic
- Drop-in
- 6 individually adjustable ProFlex® hydro-massage jets
- Pump with air switch and grounding-type plug-in cord
- Molded lumbar supports and armrests
- Optional K-1283 removable apron
- Optional K-9696 whirlpool trim kit in various finishes
- Custom pump locations
- 72" (1829 mm) x 42" (1067 mm) x 20-1/8" (511 mm)



Codes/Standards Applicable

Specified model meets or exceeds the following:

- ASME A112.19.7
- ANSI Z124.1.2
- UL 1795
- ASTM E162
- ASTM E662

Colors/Finishes

- 0: White
- Other: Refer to Price Book for additional colors/finishes

Accessories

- CP: Polished Chrome
- PB: Vibrant® Polished Brass
- Other: Refer to Price Book for additional colors/finishes

Specified Model

Model	Description	Colors/Finishes	
K-1131-CE	Custom bath whirlpool – drop-in	<input type="checkbox"/> 0	<input type="checkbox"/> Other_____

Recommended Accessories

K-7213	Clearflo bath cable drain with PVC tubing	<input type="checkbox"/> CP		<input type="checkbox"/> Other_____
K-7214	Clearflo bath cable drain without PVC tubing	<input type="checkbox"/> CP		<input type="checkbox"/> Other_____
K-11677	Adjustable trip lever drain	<input type="checkbox"/> CP	<input type="checkbox"/> PB	

Optional Accessories

K-1283	Removable apron	<input type="checkbox"/> 0			<input type="checkbox"/> Other_____
K-9696	Jet trim kit (metal finishes)		<input type="checkbox"/> CP	<input type="checkbox"/> PB	<input type="checkbox"/> Other_____

Product Specification

The acrylic drop-in bath whirlpool shall be 72" (1829 mm) in length, 42" (1067 mm) in width, and 20-1/8" (511 mm) in height. Product shall have 6 individually adjustable ProFlex hydro-massage jets, and a pump with air switch and grounding-type plug-in cord. Product shall have custom pump locations and molded lumbar supports and armrests. Product shall have an optional K-1283 removable apron and an optional K-9696 whirlpool trim kit in various finishes. Bath whirlpool shall be Kohler Model K-1131-CE-_____.

PROFLEX® 7242

Technical Information

Fixture*:	
Basin area:	
Bathing well	53" (1346 mm) x 26" (660 mm)
Top area	65" (1651 mm) x 34" (864 mm)
Weight	70 lbs (31.8 kg)
To overflow:	
Water depth	15" (381 mm)
Capacity	78 gal (295.3 L)
* Approximate measurements for comparison only.	

Drop-in cut-out	70-1/2" (1791 mm) x 40-1/2" (1029 mm)
-----------------	---------------------------------------

Pump:	V	Hz	A
1-speed	120	60	7.5

Required Electrical Service

Dedicated circuit required, protected with Class A Ground-Fault Circuit-Interrupter (GFCI):	
Pump/control	120 V, 15 A, 60 Hz
Locate the outlet behind the whirlpool and within 24" (610 mm) of the pump.	

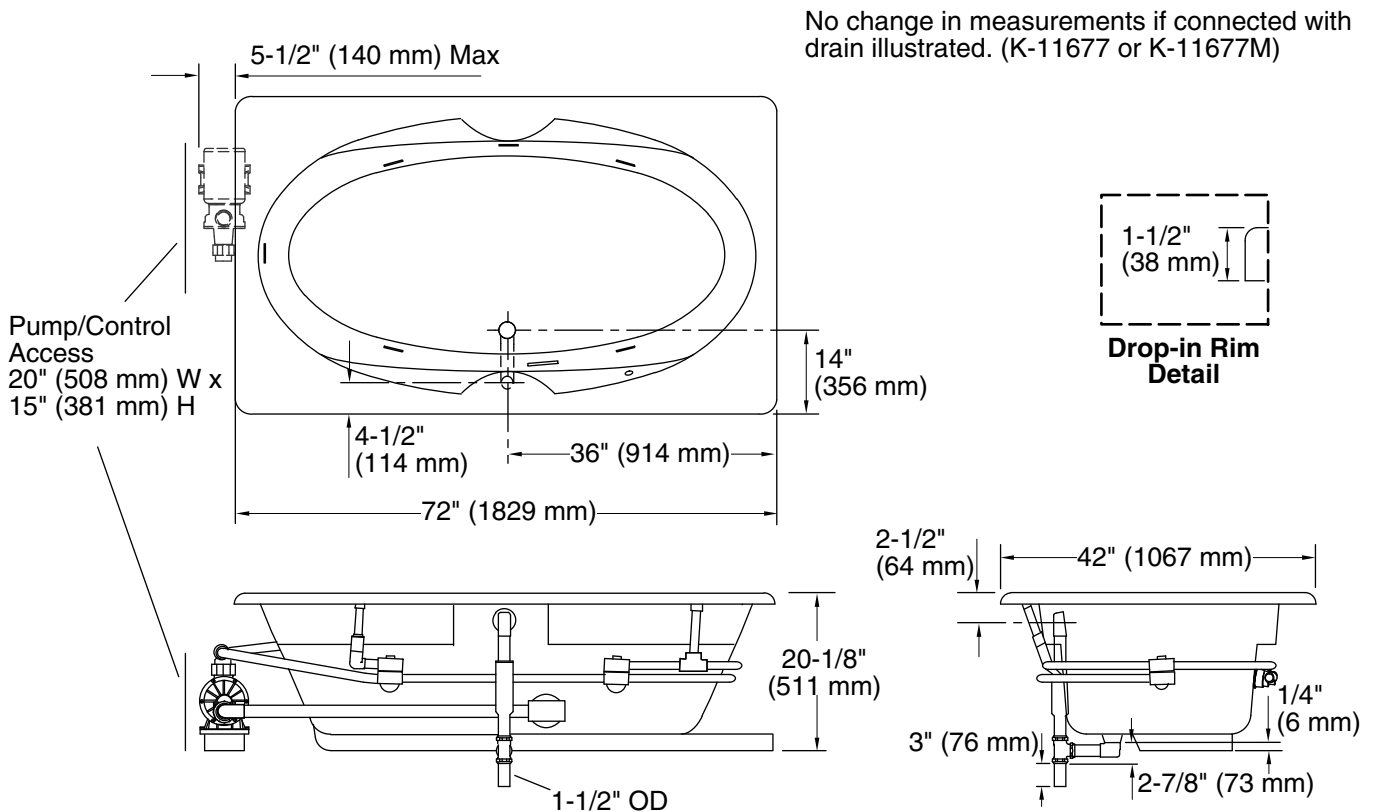
Installation Notes

Install this product according to the installation guide.

Floor support under whirlpool must provide for a minimum of 36 lbs/square foot (174 kg/square meter) loading.

The apron must be installed before the finished floor and wall materials are installed.

Pump must be relocated to custom position at the time of installation. Provide adequate clearance.



Product Diagram