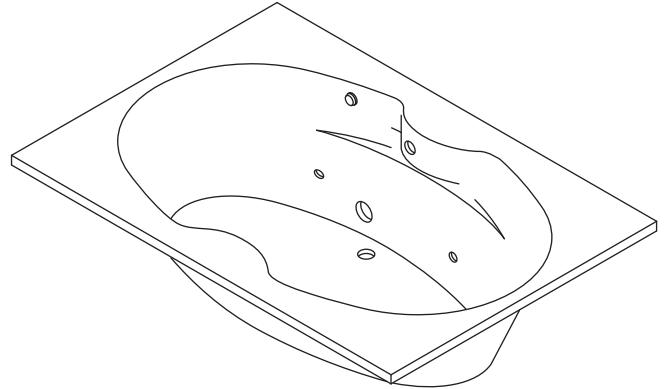


Features

- Acrylic
- Drop-in
- In-line heater
- Molded lumbar supports and armrests
- Pump with air switch and grounding-type plug-in cord
- 6 individually adjustable ProFlex® hydro-massage jets
- Optional K-1283 removable apron
- Custom pump locations
- Optional K-9696 whirlpool trim kit in various finishes
- 72" (1829 mm) x 42" (1067 mm) x 20-1/8" (511 mm)

CUSTOM BATH WHIRLPOOL WITH HEATER K-1131-HE



Codes/Standards Applicable

Specified model meets or exceeds the following:

- ANSI Z124.1.2
- ASME A112.19.7
- UL 1795
- ASTM E162
- ASTM E662

Colors/Finishes

- 0: White
- Other: Refer to Price Book for additional colors/finishes

Accessories

- CP: Polished Chrome
- PB: Polished Brass
- Other: Refer to Price Book for additional colors/finishes

Specified Model

| Model | Description | Colors/Finishes | |
|-----------|---|----------------------------|-------------------------------------|
| K-1131-HE | Custom bath whirlpool with heater – drop-in | <input type="checkbox"/> 0 | <input type="checkbox"/> Other_____ |

| Recommended Accessories | | | |
|-------------------------|--|-----------------------------|-------------------------------------|
| K-7213 | Clearflo bath cable drain with PVC tubing | <input type="checkbox"/> CP | <input type="checkbox"/> Other_____ |
| K-7214 | Clearflo bath cable drain without PVC tubing | <input type="checkbox"/> CP | <input type="checkbox"/> Other_____ |
| K-11677 | Adjustable trip lever drain | <input type="checkbox"/> CP | <input type="checkbox"/> PB |

| Optional Accessories | | | |
|----------------------|-------------------------------|-----------------------------|---|
| K-1283 | Removable apron | <input type="checkbox"/> 0 | <input type="checkbox"/> Other_____ |
| K-9696 | Jet trim kit (metal finishes) | <input type="checkbox"/> CP | <input type="checkbox"/> PB <input type="checkbox"/> Other_____ |

Product Specification

The acrylic drop-in bath whirlpool shall be 72" (1829 mm) in length, 42" (1067 mm) in width, and 20-1/8" (511 mm) in height. Product shall have 6 individually adjustable ProFlex hydro-massage jets, a pump with air switch and grounding-type plug-in cord, and an in-line heater. Product shall have custom pump locations and molded lumbar supports and armrests. Product shall have an optional K-1283 removable apron and an optional K-9696 whirlpool trim kit in various finishes. Bath whirlpool shall be Kohler Model K-1131-HE-_____.

PROFLEX® 7242

Technical Information

| | |
|---|------------------------------|
| Fixture*: | |
| Basin area: | |
| Bathing well | 53" (1346 mm) x 26" (660 mm) |
| Top area | 65" (1651 mm) x 34" (864 mm) |
| Weight | 75 lbs (34 kg) |
| To overflow: | |
| Water depth | 15" (381 mm) |
| Capacity | 78 gal (295.3 L) |
| * Approximate measurements for comparison only. | |

| | |
|-----------------|---------------------------------------|
| Drop-in cut-out | 70-1/2" (1791 mm) x 40-1/2" (1029 mm) |
|-----------------|---------------------------------------|

| | | | | |
|---------|-----|-----|----|------|
| Pump: | | V | Hz | A |
| 1-speed | | 120 | 60 | 7.5 |
| Heater: | kW | V | Hz | A |
| | 1.5 | 120 | 60 | 12.5 |

Required Electrical Service

| | |
|---|--------------------|
| Two dedicated circuits required, each protected with Class A Ground-Fault Circuit-Interrupter (GFCI): | |
| Pump/control | 120 V, 15 A, 60 Hz |
| Heater | 120 V, 15 A, 60 Hz |
| Locate the outlets behind the whirlpool and within 24" (610 mm) of the pump. | |

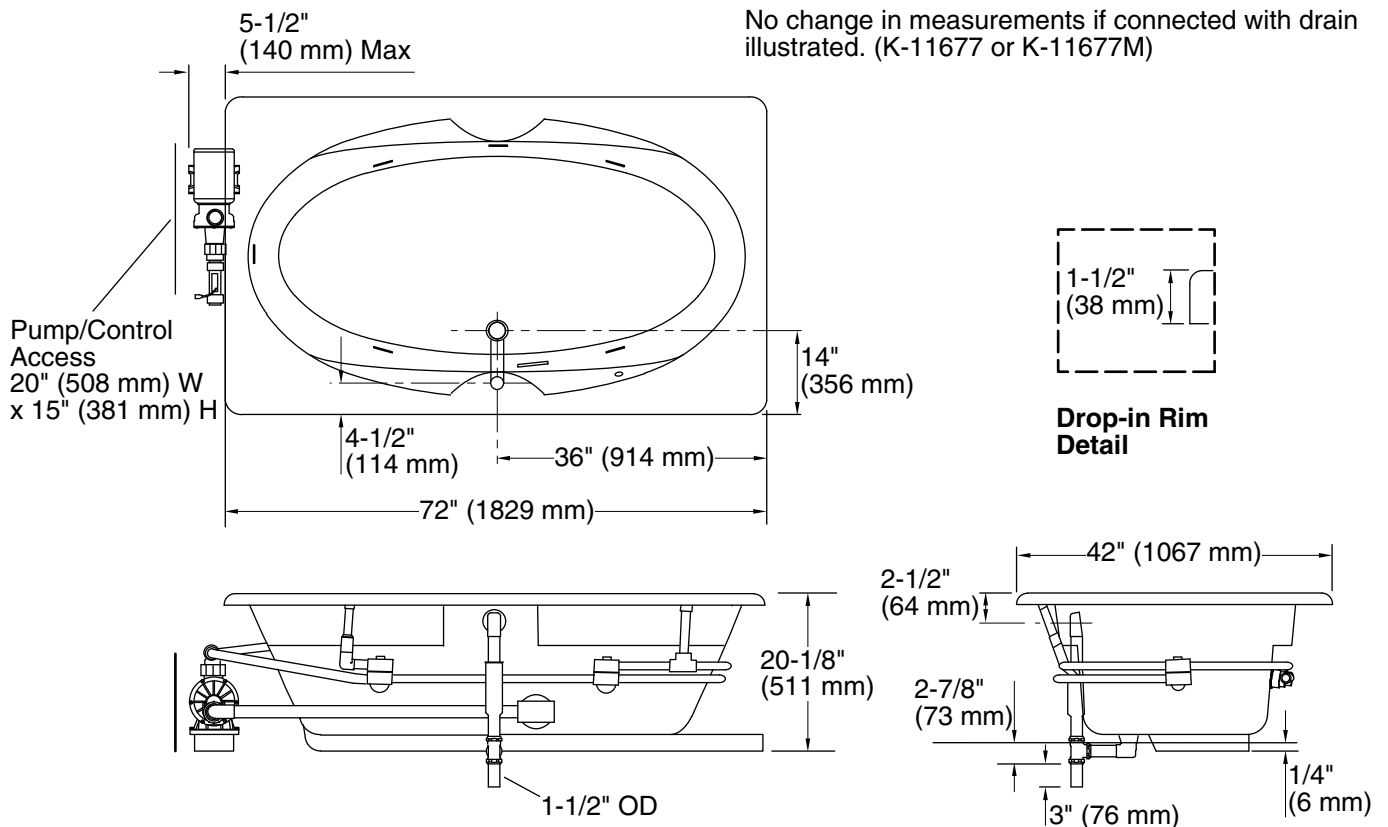
Installation Notes

Install this product according to the installation guide.

Floor support under whirlpool must provide for a minimum of 36 lbs/square foot (176 kg/square meter) loading.

The apron must be installed before the finished floor and wall materials are installed.

Pump must be relocated to custom position at the time of installation. Provide adequate clearance.



Product Diagram