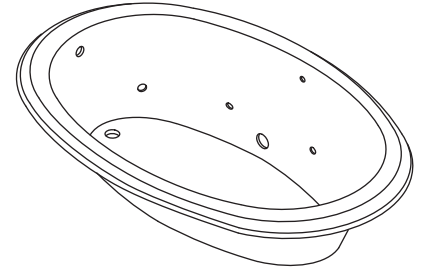


### BATH WHIRLPOOL WITH HEATER K-1146-H

#### Features

- Acrylic
- Oval shape
- Drop-in
- 6 individually adjustable ProFlex® hydro-massage jets
- Pump with air switch and grounding-type plug-in cord
- In-line heater
- Molded lumbar supports and armrests
- Optional K-9696 whirlpool trim kit in various finishes
- 60" (1524 mm) x 40" (1016 mm) x 17-5/8" (448 mm)



#### Codes/Standards Applicable

Specified model meets or exceeds the following:

- ASME A112.19.7
- ANSI Z124.1.2
- UL 1795
- ASTM E162
- ASTM E662

#### Colors/Finishes

- 0: White
- Other: Refer to Price Book for additional colors/finishes

#### Accessories

- CP: Polished Chrome
- PB: Vibrant® Polished Brass
- Other: Refer to Price Book for additional colors/finishes

#### Specified Model

Model	Description	Colors/Finishes			
K-1146-H	Bath whirlpool with heater – drop-in	<input type="checkbox"/> 0	<input type="checkbox"/> Other _____		
<b>Recommended Accessories</b>					
K-7213	Clearflo bath cable drain with PVC tubing	<input type="checkbox"/> CP		<input type="checkbox"/> Other _____	
K-7214	Clearflo bath cable drain without PVC tubing	<input type="checkbox"/> CP		<input type="checkbox"/> Other _____	
K-11677	Adjustable trip lever drain	<input type="checkbox"/> CP	<input type="checkbox"/> PB		
<b>Optional Accessories</b>					
K-1491	Pillow	<input type="checkbox"/> 0			<input type="checkbox"/> Other _____
K-1601	Footstop	<input type="checkbox"/> 0			<input type="checkbox"/> Other _____
K-9696	Jet trim kit (metal finishes)		<input type="checkbox"/> CP	<input type="checkbox"/> PB	<input type="checkbox"/> Other _____

#### Product Specification

The oval shaped acrylic bath whirlpool shall be 60" (1524 mm) in length, 40" (1016 mm) in width, and 17-5/8" (448 mm) in height. Product shall be for drop-in installation. Product shall have 6 individually adjustable ProFlex hydro-massage jets, a pump with air switch and grounding-type plug-in cord, and an in-line heater. Product shall have molded lumbar supports and armrests. Product shall have an optional K-9696 whirlpool trim kit in various finishes. Bath whirlpool shall be Kohler Model K-1146-H-\_\_\_\_\_.

# PROFLEX® 6040

## Technical Information

Fixture*:	
Bathing well:	
Basin area, bottom	46" (1168 mm) x 19" (483 mm)
Basin area, top	55" (1397 mm) x 29" (737 mm)
Weight	61 lbs (27.7 kg)
To overflow:	
Water depth	14" (356 mm)
Capacity	54 gal (204.4 L)
* Approximate measurements for comparison only.	

Pump:	V	Hz	A	
1-speed	120	60	7.5	
Heater:	KW	V	Hz	A
	1.5	120	60	12.5
* Approximate measurement for comparison only.				

Included components:	
Cut-out template	114859-7

## Required Electrical Service

Two dedicated circuits required, each protected with Class A Ground-Fault Circuit-Interrupter (GFCI):	
Pump/control	120 V, 15 A, 60 Hz
Heater	120 V, 15 A, 60 Hz
Locate the outlets behind the whirlpool and within 24" (610 mm) of the pump and heater.	

## Installation Notes

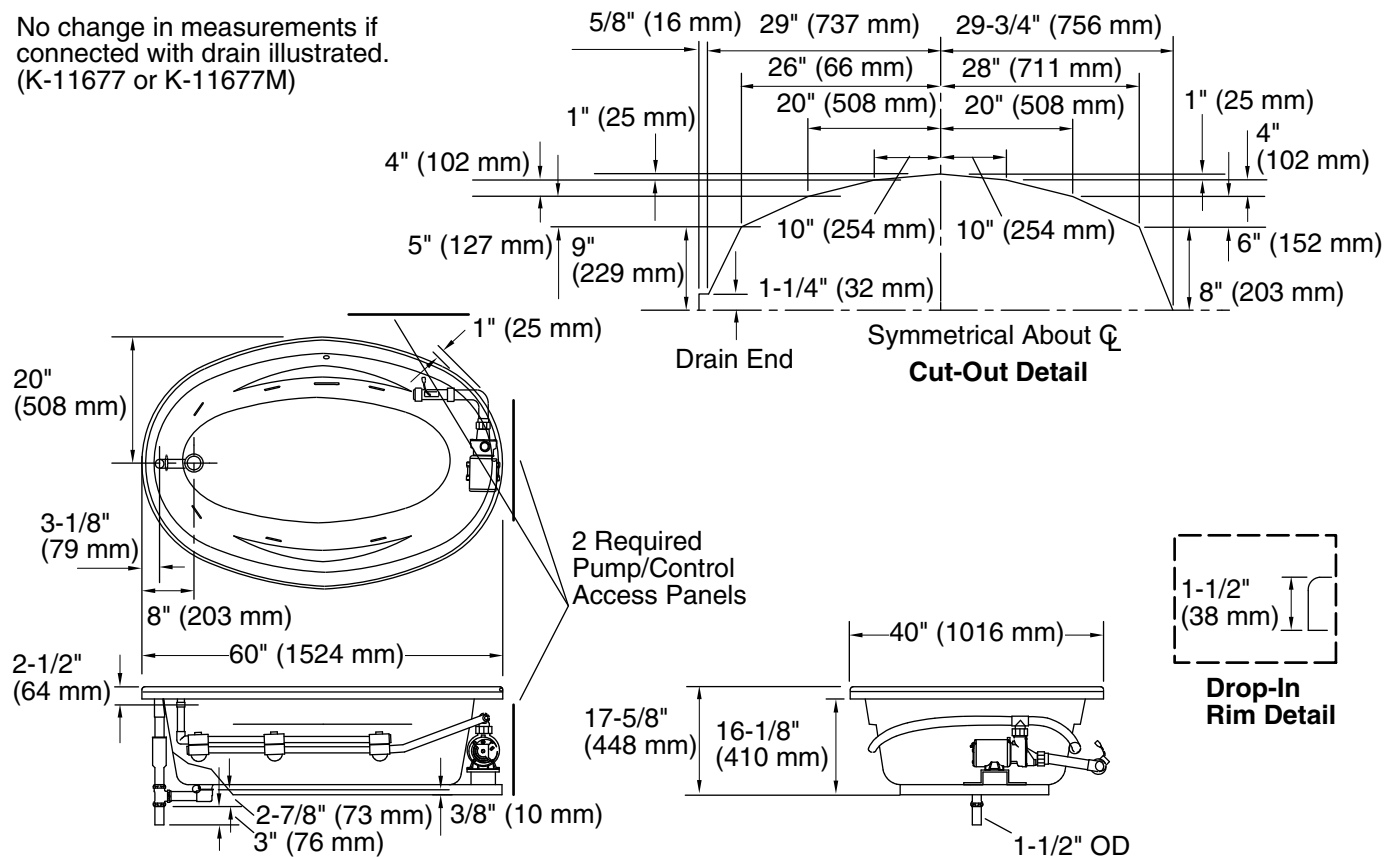
Install this product according to the installation guide.

Floor support under whirlpool must provide for a minimum of 33 lbs/square foot (158 kg/square meter) loading.

The suction line extends 1" (25 mm) beyond the edge of the rim. The pump base extends 1-1/8" (29 mm) beyond the edge of the rim. Modify the framing as needed.

Two minimum access panels are required as illustrated. These should be 20" (508 mm) wide and 15" (381 mm) high.

No change in measurements if connected with drain illustrated. (K-11677 or K-11677M)



## Product Diagram