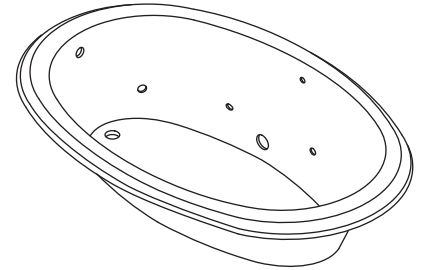


CUSTOM BATH WHIRLPOOL K-1146-CK ALSO K-1146-CN

Features

- Acrylic
- Oval shape
- Drop-in
- 6 individually adjustable ProFlex® hydro-massage jets
- Pump with air switch and grounding-type plug-in cord
- Molded lumbar supports and armrests
- Optional K-9696 whirlpool trim kit in various finishes
- Custom pump locations
- 60" (1524 mm) x 40" (1016 mm) x 17-5/8" (448 mm)



Codes/Standards Applicable

Specified model meets or exceeds the following:

- ASME A112.19.7
- ANSI Z124.1.2
- IAPMO/UPC
- UL 1795
- ASTM E162
- ASTM E662

Colors/Finishes

- 0: White
- Other: Refer to Price Book for additional colors/finishes

Accessories

- CP: Polished Chrome
- PB: Vibrant® Polished Brass
- Other: Refer to Price Book for additional colors/finishes

Specified Model

Model	Description	Colors/Finishes	
K-1146-CK	Custom bath whirlpool (top view shown)	<input type="checkbox"/> 0	<input type="checkbox"/> Other_____
K-1146-CN	Custom bath whirlpool – drop-in (shown)	<input type="checkbox"/> 0	<input type="checkbox"/> Other_____

Recommended Accessories				
K-7213	Clearflo bath cable drain with PVC tubing	<input type="checkbox"/> CP		<input type="checkbox"/> Other_____
K-7214	Clearflo bath cable drain without PVC tubing	<input type="checkbox"/> CP		<input type="checkbox"/> Other_____
K-11677	Adjustable trip lever drain	<input type="checkbox"/> CP	<input type="checkbox"/> PB	

Optional Accessories				
K-1491	Pillow	<input type="checkbox"/> 0		<input type="checkbox"/> Other_____
K-1601	Footstop	<input type="checkbox"/> 0		<input type="checkbox"/> Other_____
K-9696	Jet trim kit (metal finishes)		<input type="checkbox"/> CP <input type="checkbox"/> PB	<input type="checkbox"/> Other_____

Product Specification

The oval shaped drop-in acrylic bath whirlpool shall be 60" (1524 mm) in length, 40" (1016 mm) in width, and 17-5/8" (448 mm) in height. Product shall have 6 individually adjustable ProFlex hydro-massage jets and a pump with air switch and grounding-type plug-in cord. Product shall have custom pump locations and molded lumbar supports and armrests. Product shall have an optional K-9696 whirlpool trim kit in various finishes. Bath whirlpool shall be Kohler Model K-1146-____-____.

PROFLEX® 6040

Technical Information

Fixture*:	
Bathing well:	
Basin area, bottom	46" (1168 mm) x 19" (483 mm)
Basin area, top	55" (1397 mm) x 29" (737 mm)
Weight	56 lbs (25.4 kg)
To overflow:	
Water depth	14" (356 mm)
Capacity	54 gal (204.4 L)
* Approximate measurements for comparison only.	

Pump:	V	Hz	A
1-speed	120	60	7.5

Included components:	
Cut-out template	114859-7

Required Electrical Service

Dedicated circuit required, each protected with Class A Ground-Fault Circuit-Interrupter (GFCI):	
Pump/control	120 V, 15 A, 60 Hz
Locate the outlet behind the whirlpool and within 24" (610 mm) of the pump.	

Installation Notes

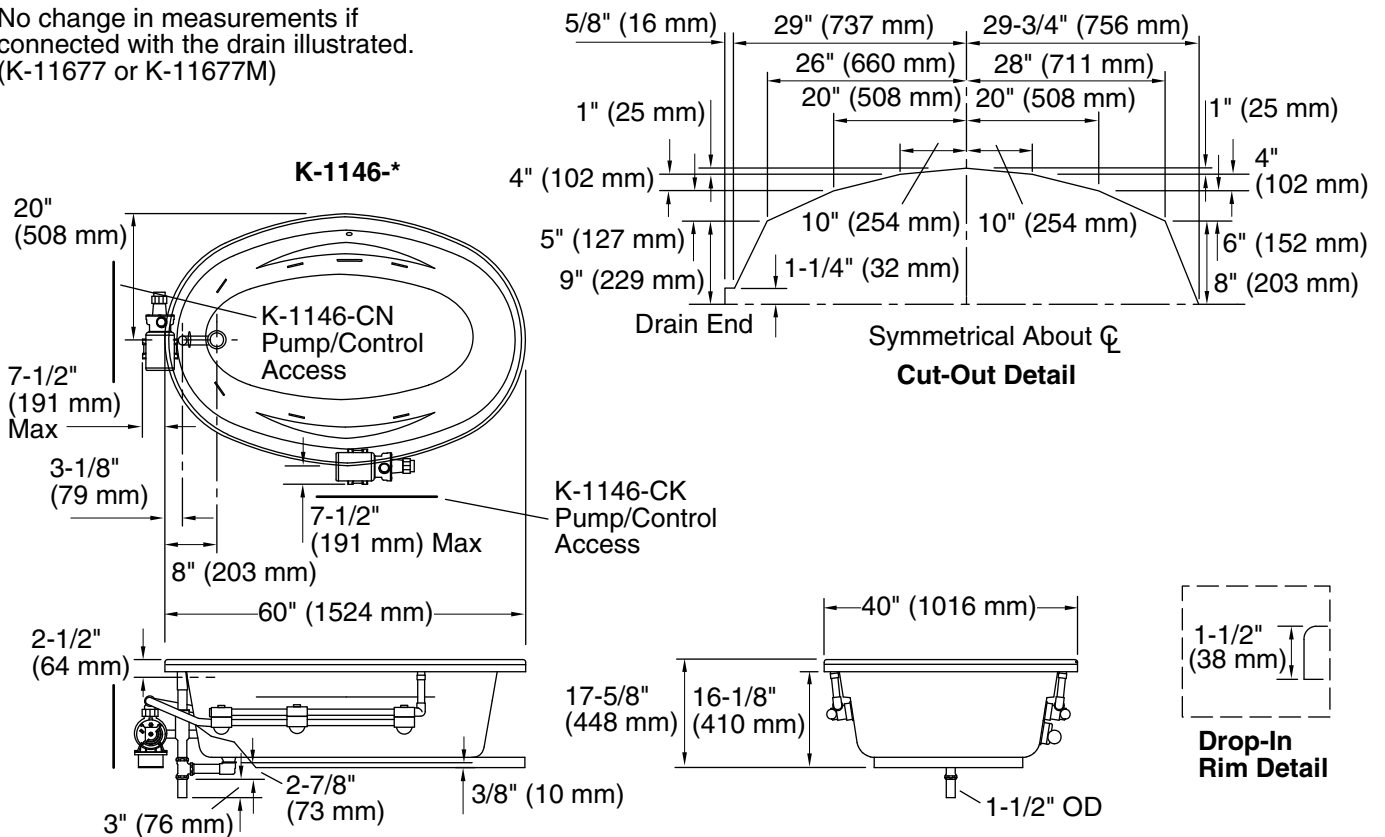
Install this product according to the installation guide.

Floor support under whirlpool must provide for a minimum of 32 lbs/square foot (156 kg/square meter) loading.

NOTICE: The pump must be relocated to its custom position at the time of installation. Provide adequate clearance between the floor and the pump.

A minimum access panel is required at the pump location, as illustrated. The access panel should be 20" (508 mm) wide and 15" (381 mm) high.

No change in measurements if connected with the drain illustrated. (K-11677 or K-11677M)



Product Diagram