

**SINK SUPPLY FAUCET  
K-7853  
ALSO K-7855, K-7856**

ADA

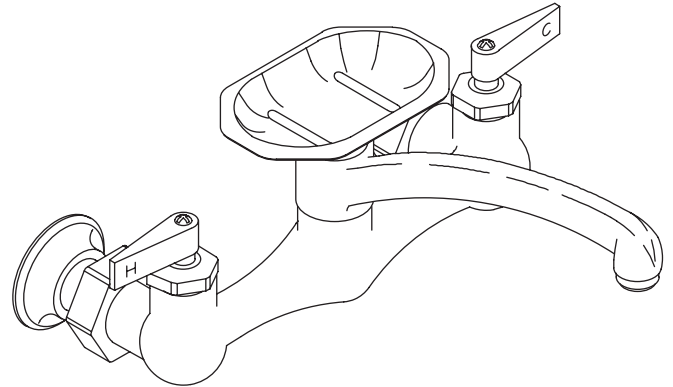
**Features**

- Brass construction
- Brass valve bodies
- Valvet® valves
- Rotating spout
- For 8" (20.3 cm) centers
- Cross and lever handles are ADA compliant
- Optional soap dish
- Inside threaded couplings
- Available with 8" (20.3 cm) or 12" (30.5 cm) spout reach
- Available with ADA compliant cross or lever handles
- 2.2 gpm (8.3 lpm) maximum flow rate

**Codes/Standards Applicable**

Specified model meets or exceeds the following at date of manufacture:

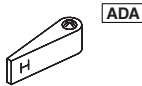

- ADA
- ASME A112.18.1/CSA B125.1
- ICC/ANSI A117.1
- NSF 61
- Energy Policy Act of 1992
- All applicable US Federal and State material regulations



**Colors/Finishes**

- CP: Polished Chrome
- Other: Refer to Price Book for additional colors/finishes

**Specified Model**

Model	Description		
K-7853	Sink supply faucet – 8" (20.3 cm) spout reach and lever handles, less soap dish	<input type="checkbox"/> CP	
K-7855-3	Sink supply faucet – 8" (20.3 cm) spout reach and cross handles, with soap dish		<input type="checkbox"/> CP <input type="checkbox"/> Other_____
K-7855-4	Sink supply faucet – 8" (20.3 cm) spout reach and lever handles, with soap dish	<input type="checkbox"/> CP <input type="checkbox"/> Other_____	
K-7856-3	Sink supply faucet – 12" (30.5 cm) spout reach and cross handles, with soap dish		<input type="checkbox"/> CP <input type="checkbox"/> Other_____
K-7856-4	Sink supply faucet – 12" (30.5 cm) spout reach and lever handles, with soap dish	<input type="checkbox"/> CP <input type="checkbox"/> Other_____	

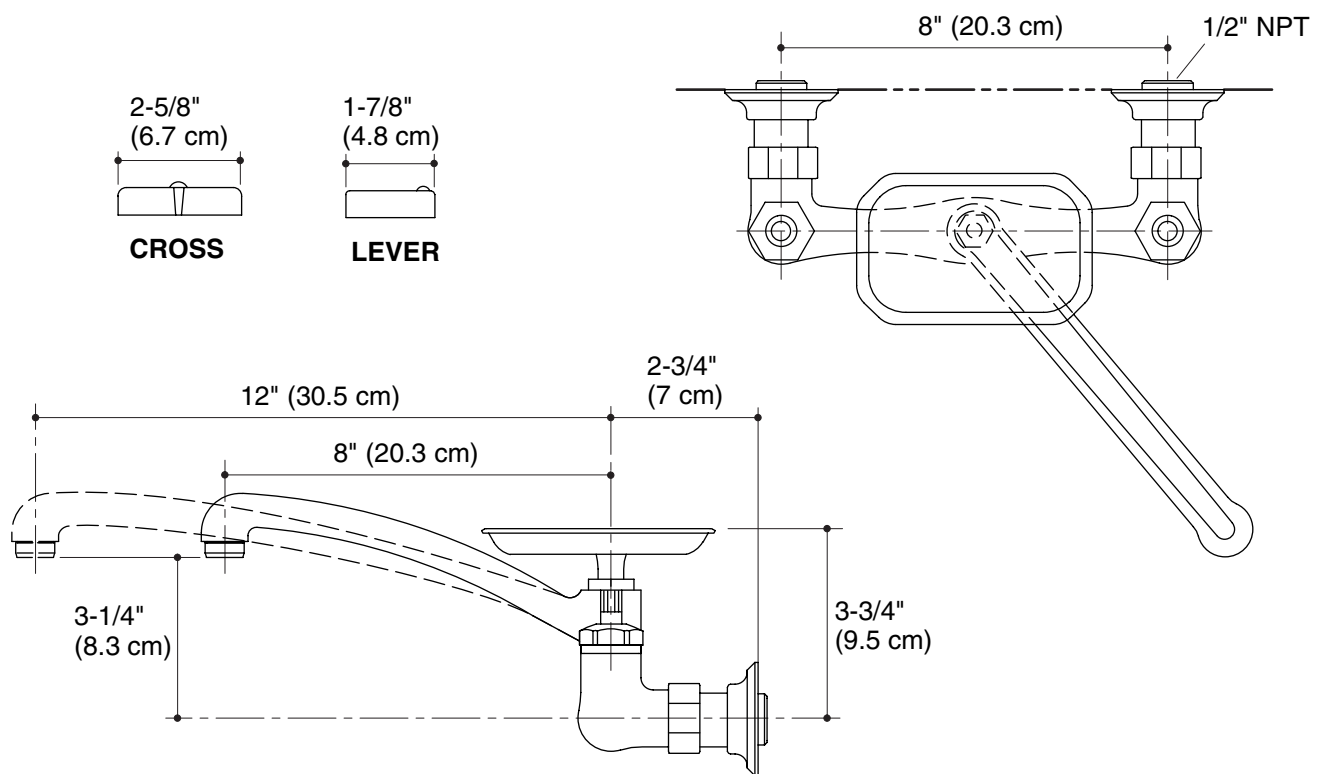
**Product Specification**

The two-handle sink supply faucet shall be of brass construction and brass valve bodies. Product shall feature Valvet valves, inside threaded couplings, and a rotating spout. Product shall be for 8" (20.3 cm) centers. Product shall be available with a 8" (20.3 cm) or 12" (30.5 cm) spout reach. Product shall be available with cross handles or lever handles which are ADA compliant. Product shall have optional soap dish. Faucet shall be Kohler Model K-\_\_\_\_-\_\_\_\_-\_\_\_\_.

# CLEARWATER®

## Installation Notes

Install this product according to the installation guide.



**Product Diagram**