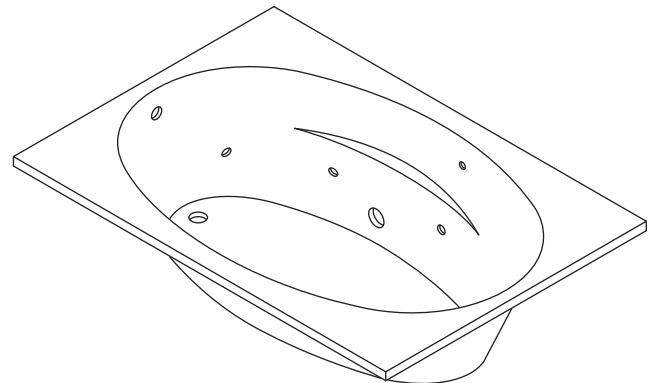


Features

- Acrylic
- Drop-in
- Pump with air switch and grounding-type plug-in cord
- 6 individually adjustable ProFlex® hydro-massage jets
- In-line heater
- Molded lumbar supports and armrests
- Custom pump locations
- Optional K-9696 whirlpool trim kit in various finishes
- Optional K-1284 removable apron
- 60" (1524 mm) x 36" (914 mm) x 18-1/8" (460 mm)

CUSTOM BATH WHIRLPOOL WITH HEATER K-1139-HN



Codes/Standards Applicable

Specified model meets or exceeds the following:

- ANSI Z124.1.2
- UL 1795
- ASME A112.19.7
- ASTM E162
- ASTM E662

Colors/Finishes

- 0: White
- Other: Refer to Price Book for additional colors/finishes

Accessories

- CP: Polished Chrome
- Other: Refer to Price Book for additional colors/finishes

Specified Model

Model	Description	Colors/Finishes	
K-1139-HN	Custom bath whirlpool with heater – drop-in	<input type="checkbox"/> 0	<input type="checkbox"/> Other_____

Recommended Accessories				
K-7213	Clearflo bath cable drain with PVC tubing	<input type="checkbox"/> CP		<input type="checkbox"/> Other_____
K-7214	Clearflo bath cable drain without PVC tubing	<input type="checkbox"/> CP		<input type="checkbox"/> Other_____
K-11677	Adjustable trip lever drain	<input type="checkbox"/> CP	<input type="checkbox"/> PB	

Optional Accessories				
K-1284	Removable apron	<input type="checkbox"/> 0		<input type="checkbox"/> Other_____
K-9696	Jet trim kit (metal finishes)		<input type="checkbox"/> CP <input type="checkbox"/> PB	<input type="checkbox"/> Other_____

Product Specification

The acrylic drop-in bath whirlpool shall be 60" (1524 mm) in length, 36" (914 mm) in width, and 18-1/8" (460 mm) in height. Product shall have 6 individually adjustable ProFlex hydro-massage jets, a pump with air switch and grounding-type plug-in cord, and an in-line heater. Product shall have custom pump locations and molded lumbar supports and armrests. Product shall have an optional K-1284 removable apron, and optional K-9696 whirlpool trim kit in various finishes. Bath whirlpool shall be Kohler Model K-1139-HN-_____.

PROFLEX® 6036

Technical Information

Fixture*:	
Bathing well:	
Basin area	46" (1168 mm) x 15" (381 mm)
Top area	55" (1397 mm) x 25" (635 mm)
Weight	60 lbs (27.2 kg)
To overflow:	
Water depth	14" (356 mm)
Capacity	57 gal (215.8 L)
* Approximate measurements for comparison only.	
Drop-in cutout	58-1/2" (1486 mm) x 34-1/2" (876 mm)
Pump:	V Hz A
1-speed	120 60 7.5
Heater:	kW V Hz A
1.5	120 60 12.5

Required Electrical Service

Two dedicated circuits required, each protected with Class A Ground-Fault Circuit-Interrupter (GFCI):	
Pump/control	120 V, 15 A, 60 Hz
Heater	120 V, 15 A, 60 Hz
Locate the outlets behind the whirlpool and within 24" (610 mm) of the pump and heater.	

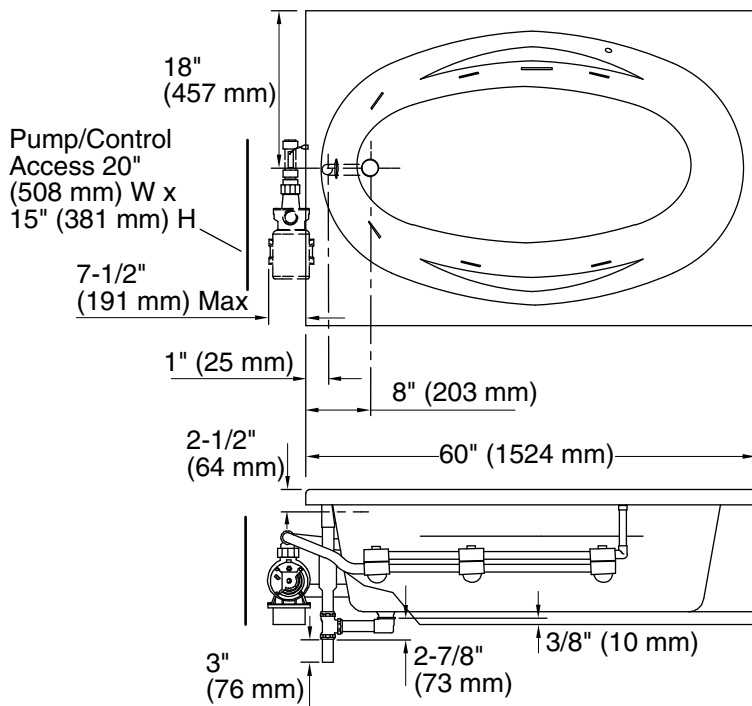
Installation Notes

Install this product according to the installation guide.

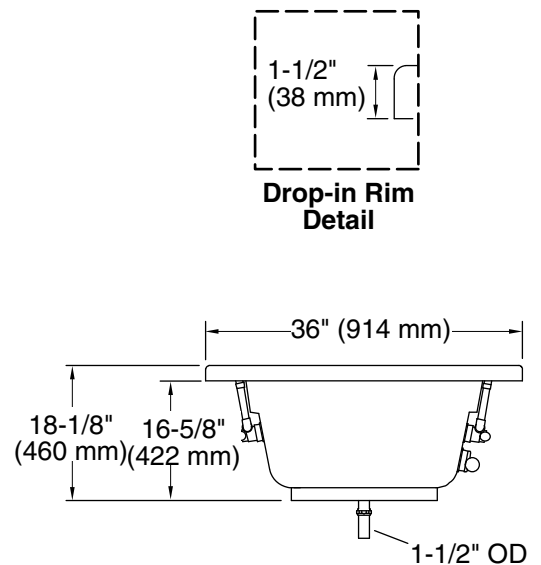
Floor support under whirlpool must provide for a minimum of 37 lbs/square foot (183 kg/square meter) loading.

The apron must be installed before the finished floor and wall materials are installed.

Pump must be relocated to custom position at the time of installation. Provide adequate clearance.



No change in measurements if connected with drain illustrated. (K-11677)



Product Diagram