

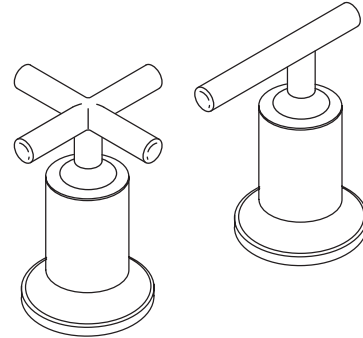
Features

- Brass construction
- Bath- or deck-mount
- Brass valve bodies

Codes/Standards Applicable

Specified model meets or exceeds the following:



- ADA
- ASME A112.18.1/CSA B125.1
- ASSE 1014
- ASSE 1025
- CSA B64



Colors/Finishes

- CP: Polished Chrome
- Other: Refer to Price Book for additional colors/finishes
- PB: Vibrant® Polished Brass

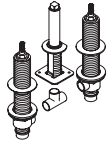
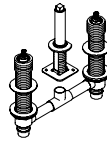
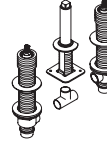
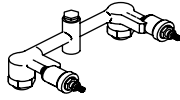
Specified Model

Model	Description	 ADA	 ADA
K-T14429-3	Valve trim with cross handles	<input type="checkbox"/> CP <input type="checkbox"/> Other ____	
K-T14429-4	Valve trim with lever handles		<input type="checkbox"/> CP <input type="checkbox"/> Other ____

Product Specification

The bath- or deck-mount bath faucet trim shall be made of brass construction. Product shall have brass valve bodies. Faucet trim shall be Kohler Model K-____-__-____ and valve system shall be Kohler Model K-____-____-NA.

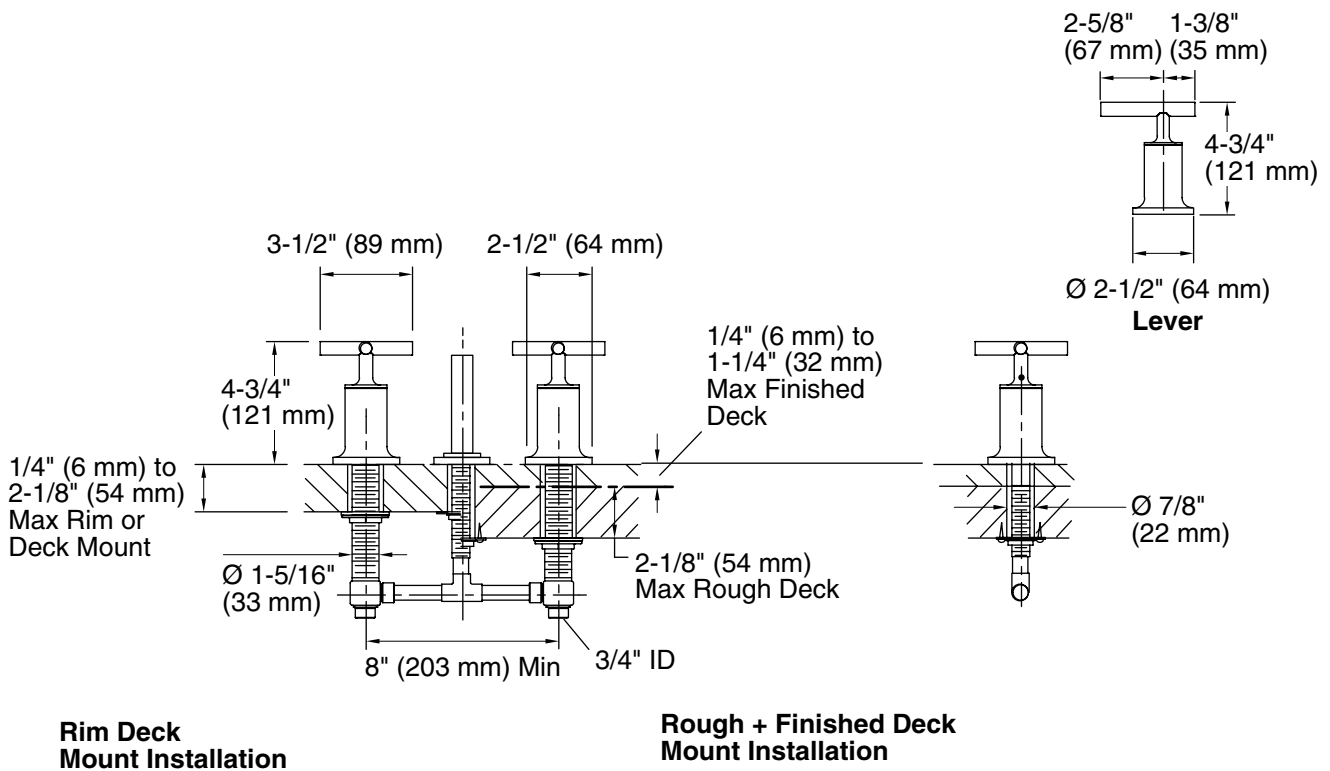
PURIST®

Required Accessories					
K-300-K	1/2" ceramic high-flow disc valve system	NA			
K-300-KR	1/2" ceramic high-flow disc valve system with rigid connections		NA		
K-301-K	3/4" ceramic high-flow disc valve system			NA	
K-302-K	2-handle 1/2" ceramic disc valve system				NA
Valve system required.					

Installation Notes

Install this product according to the installation guide.

ADA compliant when installed to the specific requirements of the regulation.



Product Diagram