



Features

- Vitreous china
- Without overflow
- Available with KOHLER Artist Editions designs
- Available as above-the-counter or wall-mount installation
- 16-1/4" (41.3 cm) diameter

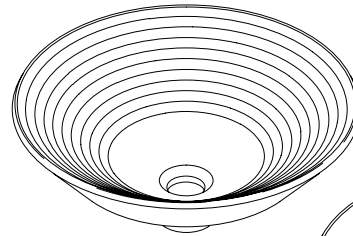
VESSELS LAVATORY K-2191 ALSO K-2200, K-14223

ADA	CSA B651	OBC
-----	----------	-----

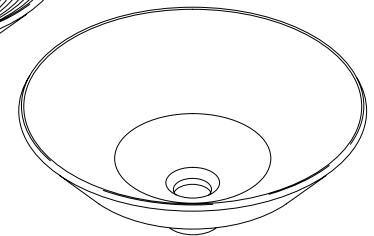
Codes/Standards Applicable

Specified model meets or exceeds the following:

- ADA
- ICC/ANSI A117.1
- CSA B651
- OBC
- ASME A112.19.2/CSA B45.1



K-2191



K-2200

Colors/Finishes

- 0: White
- Other: Refer to Price Book for additional colors/finishes

Accessories

- CP: Polished Chrome
- P5: Iron Black
- Other: Refer to Price Book for additional colors/finishes

Specified Model

Model	Description	Colors/Finishes	
K-2191	Vessels lavatory – above-the-counter	<input type="checkbox"/> 0	<input type="checkbox"/> Other _____
K-2191-G	Vessels lavatory, glazed underside – above-the-counter or wall-mount	<input type="checkbox"/> 0	<input type="checkbox"/> Other _____
K-2200	Vessels lavatory – above-the-counter	<input type="checkbox"/> 0	<input type="checkbox"/> Other _____
K-2200-G	Vessels lavatory, glazed underside – above-the-counter or wall-mount	<input type="checkbox"/> 0	<input type="checkbox"/> Other _____
K-14223	Vessels lavatory – Artist Editions		<input type="checkbox"/> Other _____

Recommended Accessories			
K-7114	Pop-up drain OR	<input type="checkbox"/> CP	<input type="checkbox"/> Other _____
K-7715	Lavatory grid drain with tailpiece	<input type="checkbox"/> CP	<input type="checkbox"/> Other _____
K-9018	P-trap	<input type="checkbox"/> CP	<input type="checkbox"/> Other _____
K-9655	Black wrought iron wall-mount bracket		<input type="checkbox"/> P5

Product Specification

The lavatory shall be made of vitreous china. Lavatory shall be 16-1/4" (41.3 cm) in diameter. Lavatory shall be available for above-the-counter or wall-mount installation. Lavatory shall be without overflow. Lavatory shall be available with KOHLER Artist Editions designs. Lavatory shall be Kohler Model K-____-____ or K-____-____-____.

Technical Information

Fixture*:	
Basin area	15-7/8" (40.3 cm) D.
Water depth	4-1/4" (10.8 cm)
Drain hole	1-3/4" (4.4 cm) D.
* Approximate measurements for comparison only.	

Included components:	
Adjustable linkage	84474
Cut-out template	1002980-7

Installation Notes

Install this product according to the installation guide.

Product does not have an overflow.

*Spout must be 5" (12.7 cm) long (min) for adequate clearance into the lavatory when installed with centerline as shown.

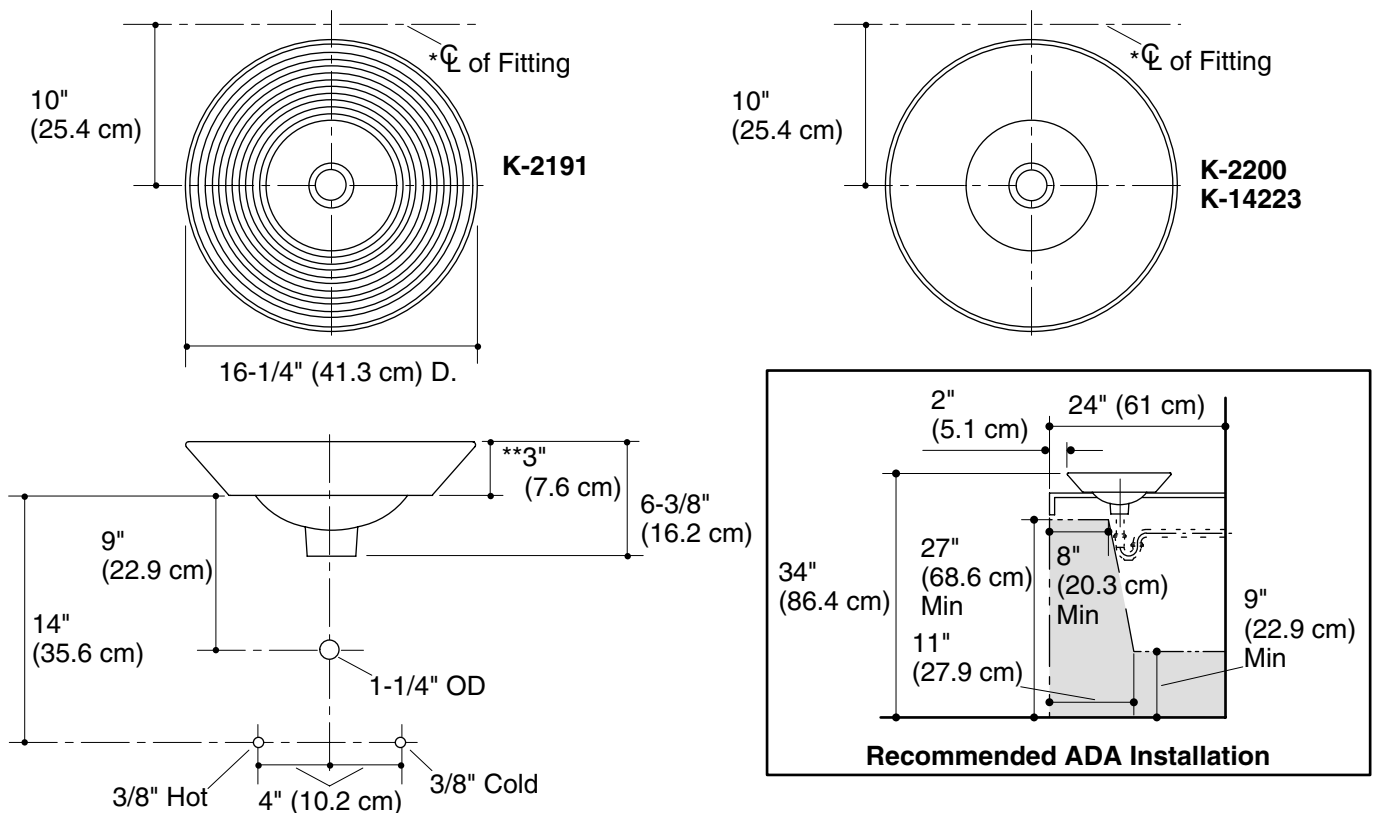
**Spout must be tall enough to clear 3" (7.6 cm) rim height and provide a 1" (2.5 cm) air gap per ASME A112.1.2

NOTICE: Countertop manufacturer or cutter **must** use the cut-out template provided with the product, or a current one provided by Kohler Co. (call 1-800-4-KOHLER). Kohler Co. is not responsible for cut-out errors when the incorrect cut-out template is used.

Will comply with **ADA** when installed per section 606 Lavatories of the Act.

Will comply with **CSA B651** when installed per Clause 4.3.3 of the standard.

Will comply with **OBC** when installed per Clause 3.8.3.11.



Product Diagram