



#### Features

- End drain.
- Integral lumbar support.
- Textured bottom surface.
- 60" (1524 mm) x 42-1/4" (1073 mm) x 21" (533 mm)

#### Material

- Acrylic

#### Hydrotherapy

- Single-speed whirlpool offers 8 fully adjustable hydro-massage jets for water flow and direction.
- Pump with air switch for whirlpool.
- Built-in 1500 W heater.

#### Installation

- Drop-in

#### Recommended Accessories

- K-1491 Bath/Whirlpool Pillow
- K-7166-AF Bath Drain
- K-24916 Wireless Music Kit
- K-7213 27" Cable Bath Drain
- K-7214 27" Cable Bath Drain
- K-37382 45" Rough-in Cable Bath Drain



#### Codes/Standards




- ASME A112.19.7/CSA B45.10
- CSA B45.5/IAPMO Z124
- ASTM E162
- ASTM E662
- UL 1795
- Greenguard UL 2818 - Gold
- CARB P2

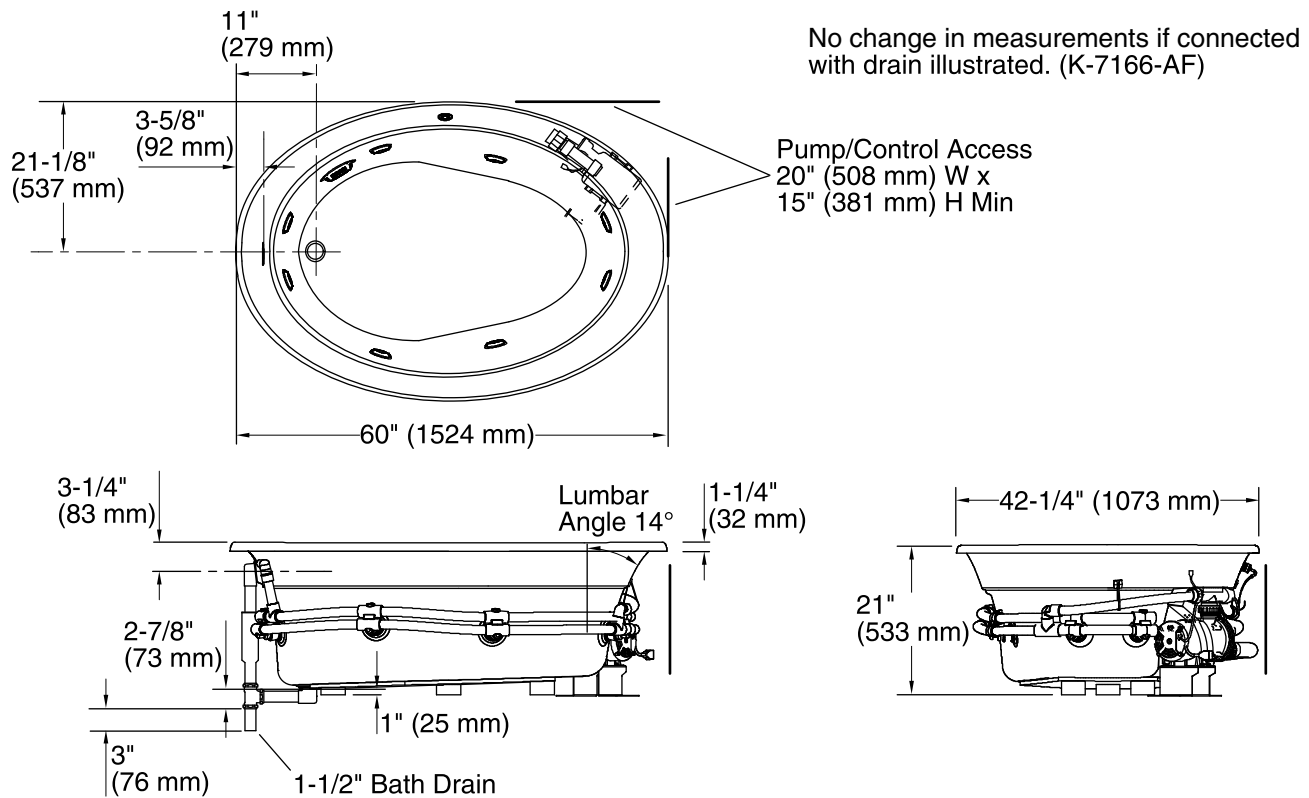
#### KOHLER® One-Year Limited Warranty

See website for detailed warranty information.

#### Available Color/Finishes

*Color tiles intended for reference only.*

Color	Code	Description
	0	White
	96	Biscuit
	47	Almond



## Required Electrical Service

Two dedicated circuits required, protected with Class A Ground-Fault Circuit-Interrupter (GFCI) or Residual Current Device (RCD).

Pump:	120 V, 15 A, 60 Hz
Heater:	120 V, 15 A, 60 Hz

## Technical Information

All product dimensions are nominal.

Installation:	Drop-in
Drain location:	End
Basin area, bottom:	42" x 28" (1067 mm x 711 mm)
Basin area, top:	55" x 40" (1397 mm x 1016 mm)
Weight:	115 lbs (52.2 kg)
Minimum floor load:	43 lbs/ft <sup>2</sup> (209.9 kg/m <sup>2</sup> )
Water depth:	15-1/2" (394 mm)
Water capacity:	73 gal (276.3 L)
Template:	Drop-in, 1017044-7, required, included
Electrical component rating:	Pump: 120 V, 7.5 A, 60 Hz Heater: 120 V, 12.5 A, 60 Hz, 1500 W
Pump speed:	Single

## Notes

Measure your actual product for rough-in details.

Install this product according to the installation instructions.

The hot water supply should be 70% of the capacity of the bath or greater. Installations will vary.

Provide one grounded electrical outlet within 24" (610 mm) of each component.