



Ensemble™

42" Curve Shower

72210100



Features

- Modular design allows it to be moved around corners and through doorways with ease.
- Durable high gloss finish.
- Convenient shelves provide generous storage space.
- Shaving ledge/foot rest for added comfort.
- Curve wall design for a smooth look and feel.
- 42" (1067 mm) x 34" (864 mm) x 75-3/4" (1926 mm) complete unit finished dimensions.

Material

- Compression molded from our exclusive Vikrell® material.

Installation

- Tongue-and-groove four piece modular design allows for easy snap together installation.
- Some caulk required for proper installation.

Components

Product includes:

72205100

72111100 42" Shower Base

72212100



For complete listing of available colors, go to sterlingplumbing.com.

Codes/Standards

ASTM E162

ASTM E662

Greenguard UL 2818 - Gold

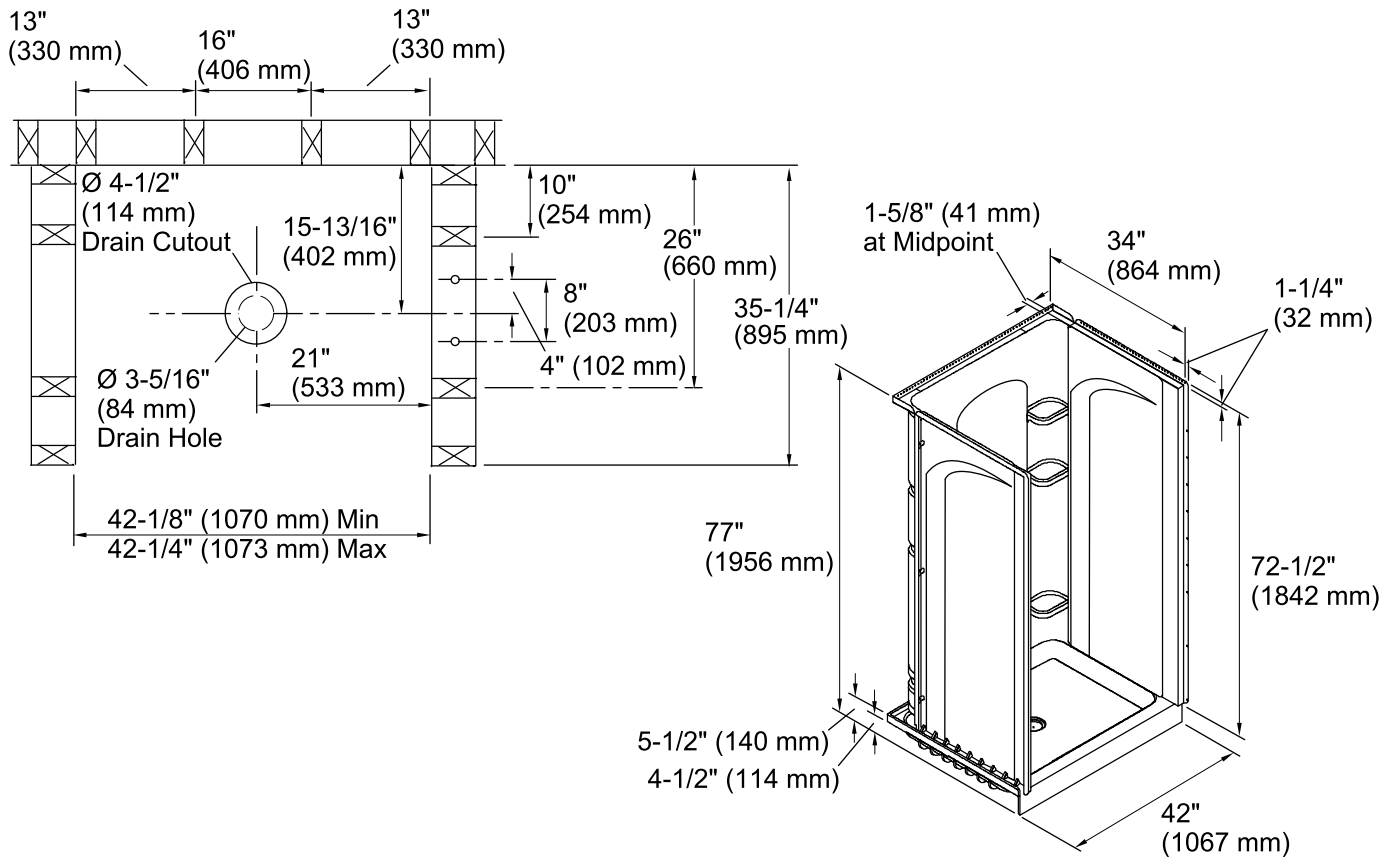
CSA B45.5/IAPMO Z124

STERLING® Warranty - Fixtures Made of Solid Vikrell Material

See website for detailed warranty information.

Product Specification

Shower base and smooth wall surround shall be 42 (1067 mm) in length, 35-1/4" (895 mm) in width, and 77" (1956 mm) in height. Shower base and smooth wall surround shall be made of Vikrell® material. Shower base and smooth surround shall be STERLING Model 72210100.



Technical Information

All measurements are nominal.

Installation: 3-Wall Alcove

Drain location: Center

Door height required: 70-1/2" (1791 mm)

Door width required: 38-5/8" (981 mm)

Installation Notes

Install this product according to the installation guide.

Double studding is recommended for pivot shower door installations.

Studs should be positioned roughly as shown.