

# STERLING®

A KOHLER COMPANY

ENSEMBLE™

## Features

- Compression molded from our exclusive solid Vikrell® material
- Tongue-and-groove 4-piece modular design allows for easy "snap together" installation
- Convenient shelves provide generous storage
- Shaving ledge and foot rest added for comfort
- Shower base can be ordered separately
- Durable high-gloss finish
- 10-year consumer/3-year commercial limited warranty
- 60-1/4" (1530 mm) x 35-1/4" (895 mm) x 77" (1956 mm) unit rough-in dimensions include nailing flange
- 60" (1524 mm) x 34" (864 mm) x 75-3/4" (1924 mm) complete unit finished dimensions

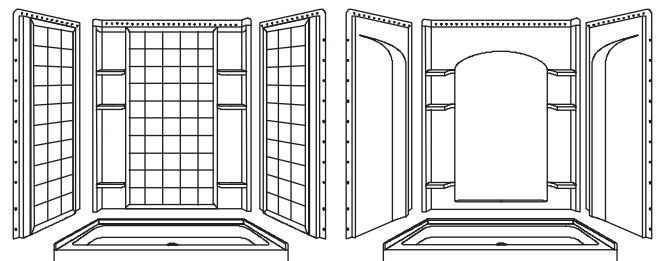
**60" (1524 mm) SHOWER BASE AND WALL SURROUND**  
**72130100**  
**ALSO 72230100**



## Codes/Standards Applicable

Specified model meets or exceeds the following:

- ASTM E162
- ASTM E662
- CSA B45.5/IAPMO Z124



72130100

72230100

## Colors/Finishes

- 0: White
- Other: Refer to Price Book for additional colors/finishes

## Specified Model

Model	Complete Unit Description	Colors/Finishes	
72130100	60" (1524 mm) shower base and wall surround, tile wall	<input type="checkbox"/> 0	<input type="checkbox"/> Other _____
72230100	60" (1524 mm) shower base and wall surround, curve wall	<input type="checkbox"/> 0	<input type="checkbox"/> Other _____

Model	Wall Component Description	Colors/Finishes	
72134100	Complete wall set, tile wall	<input type="checkbox"/> 0	<input type="checkbox"/> Other _____
72234100	Complete wall set, curve wall	<input type="checkbox"/> 0	<input type="checkbox"/> Other _____

# ENSEMBLE™

## Technical Information

Model	Door maximum width	Door maximum height
72130100	56-5/8" (1438 mm)	70-1/2" (1791 mm)
72230100		

## Installation Notes

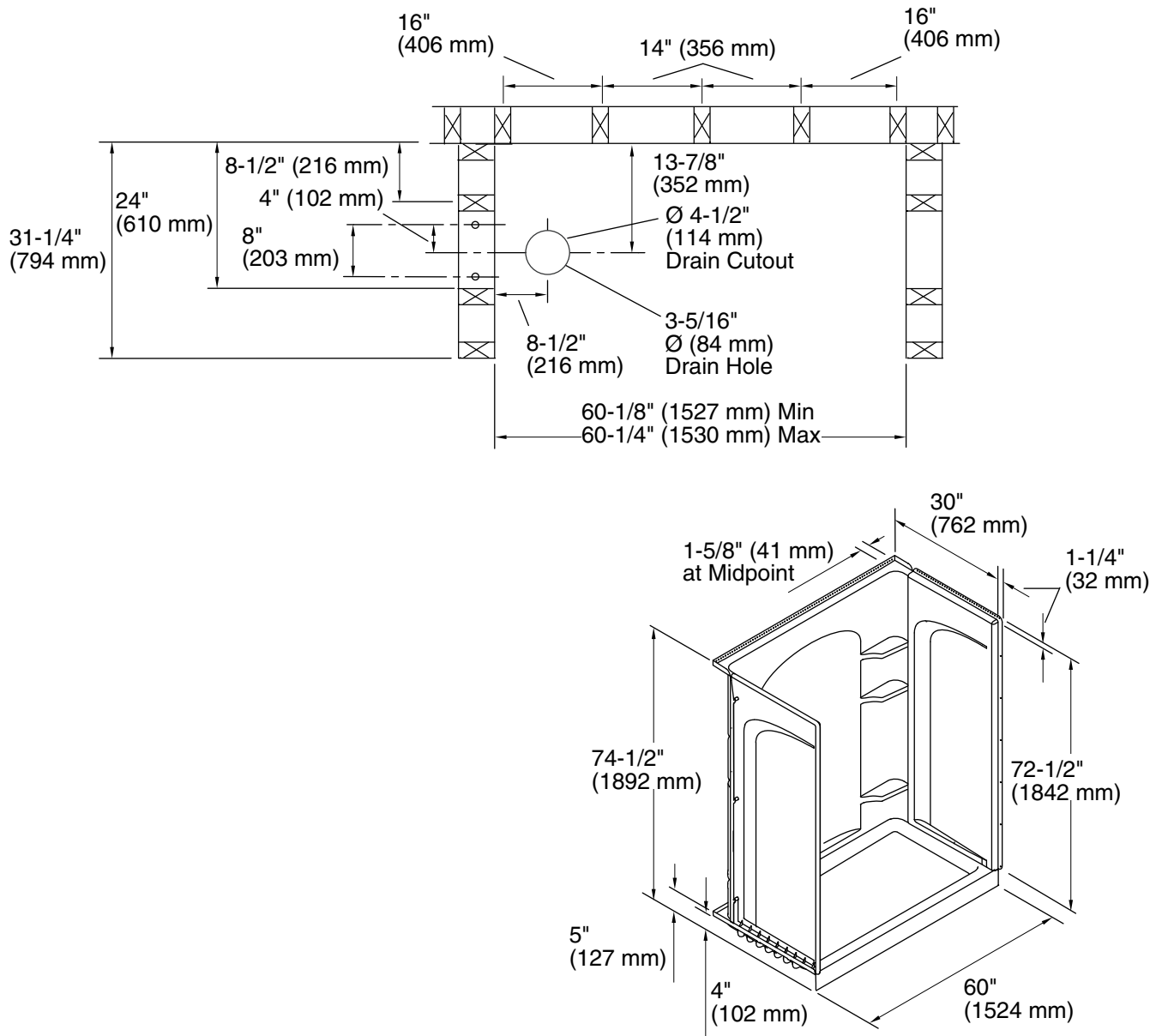
Install this product according to the installation guide.

Size the drain cutout to fit the drain assembly that will be used.

Double studding is recommended for pivot shower door installations.

Studs should be positioned as shown.

Both tile and curve wall surrounds share the same dimensions.



## Product Diagram

ENSEMBLE™ 60" (1524 mm) SHOWER BASE AND WALL SURROUND