

**BIDET FAUCET  
K-10279**

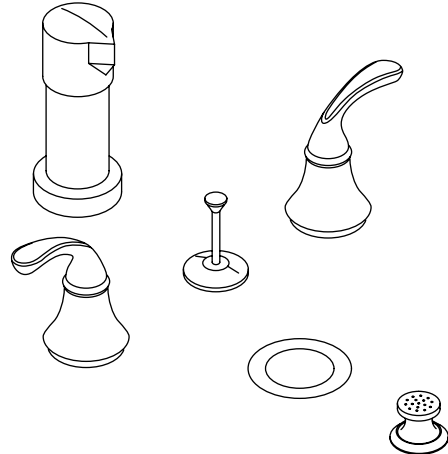
**Features**

- Metal construction
- Flexible connections for easy installation
- Pop-up drain with lift rod and tailpiece
- ADA compliant lever handles
- Vertical spray
- Fixture-mount transfer valve/vacuum breaker
- Quarter-turn washerless ceramic disc valves

**Codes/Standards Applicable**

Specified model meets or exceeds the following:



- ASME A112.18.1/CSA B125.1
- ASSE 1001



**Colors/Finishes**

- CP: Polished Chrome
- PB: Vibrant® Polished Brass

**Specified Model**

Model	Description				
K-10279-4	Bidet faucet with sculpted lever handle (shown)	<input type="checkbox"/> CP	<input type="checkbox"/> Other _____		
K-10279-4A	Bidet faucet with traditional lever handle			<input type="checkbox"/> CP	<input type="checkbox"/> Other _____

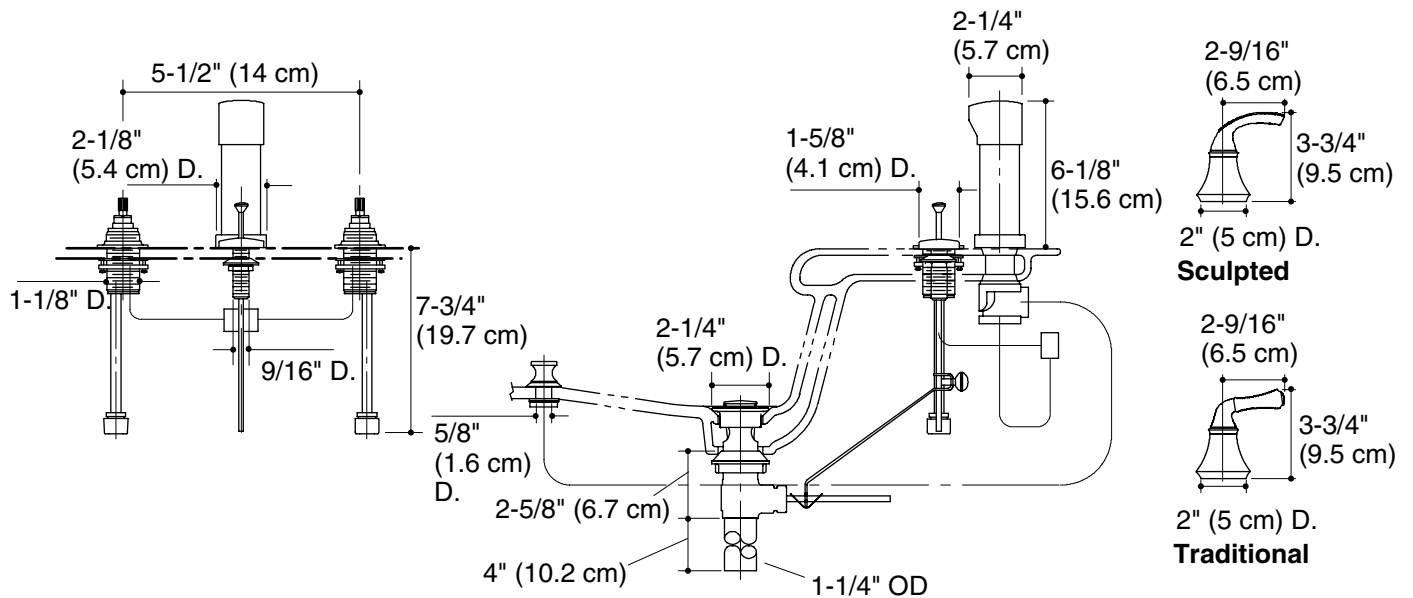
**Product Specification**

Two-handle fixture-mount bidet faucet shall be of metal construction. Faucet shall feature quarter-turn washerless ceramic disc valves. Product shall include flexible connections for easy installations, pop-up drain with lift rod and tailpiece, lever handles, vertical spray, and fixture-mount transfer valve/vacuum breaker. Faucet shall be Kohler Model K-\_\_\_\_\_-\_\_\_\_\_.

# FORTÉ®

## Installation Notes

Install this product according to the installation guide.



## Product Diagram