

COUNTERTOP LAVATORY K-2325

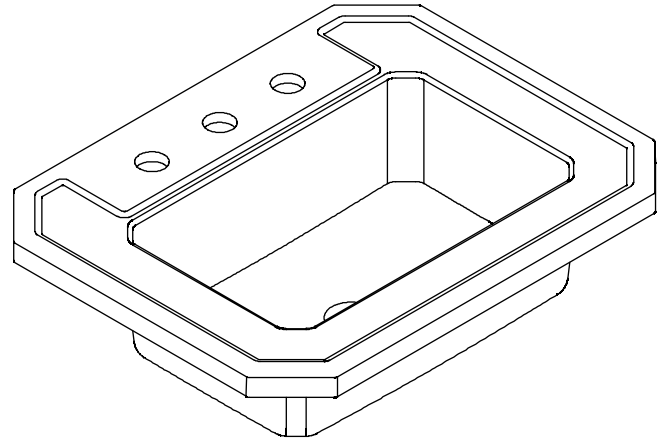
Features

- Vitreous china
- Self-rimming
- 8" (20.3 cm) centers (-8), 4" (10.2 cm) centers (-4), or single-hole (-1)
- 24" (61 cm) x 19" (48.3 cm)

Codes/Standards Applicable

Specified model meets or exceeds the following:

- ASME A112.19.2/CSA B45.1



Colors/Finishes

- 0: White
- Other: Refer to Price Book for additional colors/finishes

Accessories:

- CP: Polished Chrome

Specified Model

Model	Description	Colors/Finishes	
K-2325-1	With single-hole drilling	<input type="checkbox"/> 0 White	<input type="checkbox"/> Other_____
K-2325-4	With 4" (10.2 cm) centers	<input type="checkbox"/> 0 White	<input type="checkbox"/> Other_____
K-2325-8	With 8" (20.3 cm) centers	<input type="checkbox"/> 0 White	<input type="checkbox"/> Other_____
Recommended Accessory			
K-8998	P-Trap		<input type="checkbox"/> CP

Product Specification

The self-rimming lavatory shall be 24" (61 cm) in length, 19" (48.3 cm) in width. Lavatory shall be made of vitreous china. Lavatory shall have 8" (20.3 cm) centers (-8), 4" (10.2 cm) centers (-4), or single-hole (-1) drilling. Lavatory shall have overflow. Lavatory shall be Kohler Model K-2325-_____-_____.

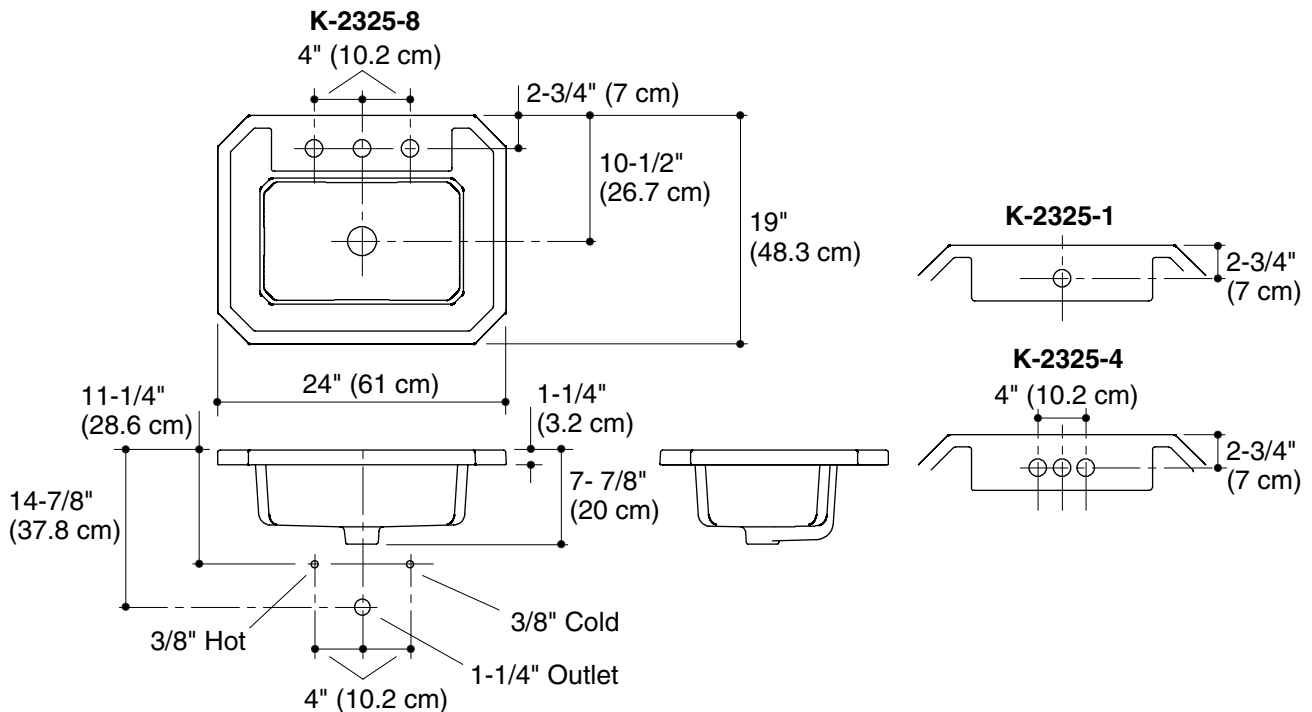
Technical Information

Mexico products have an M after the first sequence of numbers (such as K-12345 M)			
Fixture*:		basin area	water depth
Lavatory		17" (43.2 cm) x 10-1/2" (26.7 cm)	4-1/8" (10.5 cm)
Outlet	1-3/4" D. (4.4 cm)		
* Approximate measurements for comparison only.			
Holes	K-2325-8	K-2325-4	K-2325-1
Spout	1-3/8" D. (3.5 cm)	1-1/4" D. (3.2 cm)	1-3/8" D. (3.5 cm)
Faucet	1-3/8" D. (3.5 cm)	1-1/4" D. (3.2 cm)	
Included Components:			
Cutout template	1014798-7		

Installation Notes

Install this product according to the installation guide.

NOTICE: Countertop manufacturer or cutter **must** use the cutout template provided with the product, or a current one provided by Kohler Co. (call 1-800-4-KOHLER). Kohler Co. is not responsible for cutout errors when the incorrect cutout template is used.



Product Diagram