



# Tranquility®

## 5' Whirlpool Bath

### 66051101



### Features

- End drain.
- Factory-installed drain-end whirlpool pump with air switch actuator.
- Six fully-adjustable hydro-massage jets (color-matched and factory-installed).
- Fits standard five foot opening.
- Durable high-gloss finish.
- 60" (1524 mm) x 42" (1067 mm) x 18-1/8" (460 mm)

### Material

- Compression-molded from our exclusive solid Vikrell® material.

### Installation

- Drop-in or alcove installation.



**ADA**

### Codes/Standards



ASME A112.19.7/CSA B45.10  
CSA B45.5/IAPMO Z124  
ASTM E162  
ASTM E662  
UL 1795  
Greenguard UL 2818 - Gold  
ADA  
ICC/ANSI A117.1  
CARB P2

### STERLING® Warranty - Fixtures Made of Solid Vikrell Material

See website for detailed warranty information.

### Available Color/Finishes

*Color tiles intended for reference only.*

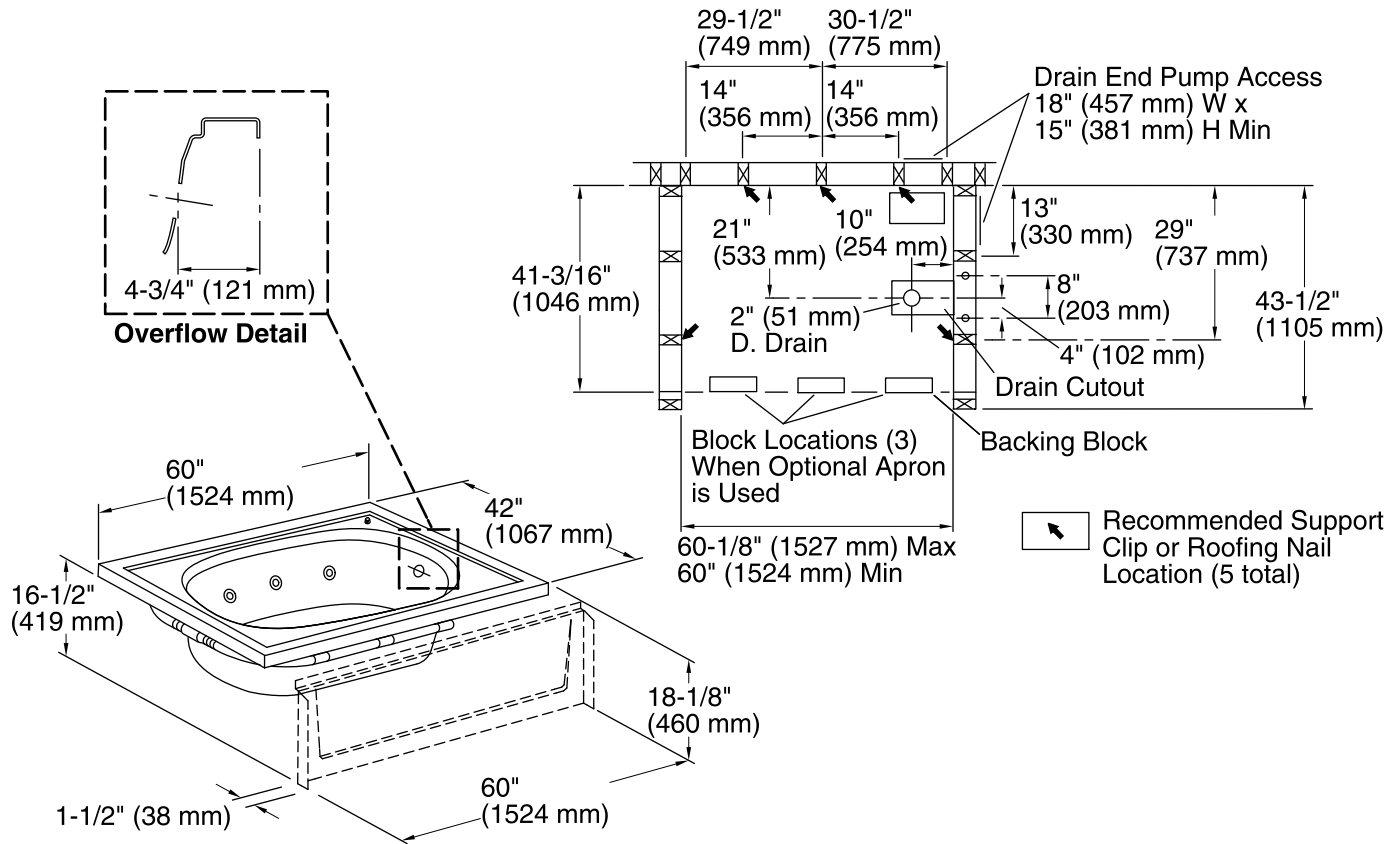
Color	Code	Description
	0	White
	96	KOHLER Biscuit

USA/Canada: 1-800-STERLING (1-800-783-7546)

Kohler Co. reserves the right to make revisions without notice to product specifications.

For the most current Specification Sheet, go to [www.sterlingplumbing.com](http://www.sterlingplumbing.com).

7-28-2017 06:27



### Required Electrical Service

One circuit required, protected with Class A Ground-Fault Circuit-Interrupter (GFCI) or Residual Current Device (RCD).

Pump: 120 V, 15 A, 60 Hz

### Technical Information

All product dimensions are nominal.

Installation: Drop-in, 3-Wall Alcove  
 Drain location: End  
 Basin area, bottom: 42" x 23" (1067 mm x 584 mm)  
 Basin area, top: 51" x 32-1/2" (1295 mm x 826 mm)  
 Water depth: 11-1/4" (286 mm)  
 Water capacity: 56 gal (212 L)  
 Electrical component rating: Pump: 120 V, 7 A, 60 Hz  
 Pump speed: Single  
 Minimum flat for door: 1-1/4" (32 mm)

### Notes

- Install this product according to the installation instructions.
- Provide one grounded electrical outlet within 24" (610 mm) of each component.
- Pump is supplied with 24" (610 mm) grounding-type plug-in cord. Locate the outlet behind the whirlpool, and within 24" (610 mm) of the pump.
- Pump service access is required.
- Do not disassemble the pump or piping as this could void the warranty.
- Size the drain cutout to fit the drain assembly that will be used.
- End stud positioning is critical if nailing-in flanges are to be used.
- Double-studding is recommended for pivot shower door installations.
- Studs should be positioned roughly as shown for support clip or roofing nail installation.